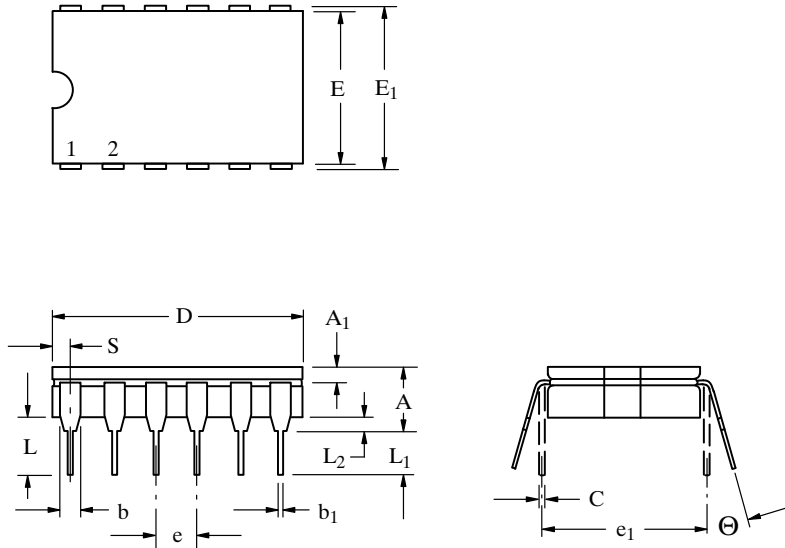
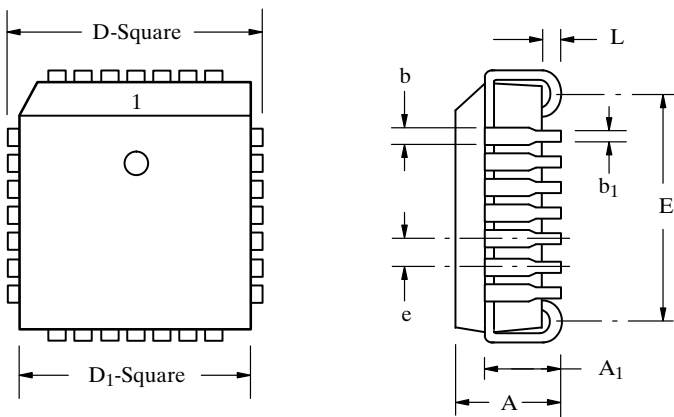


Ceramic DIP, 8–16 Leads



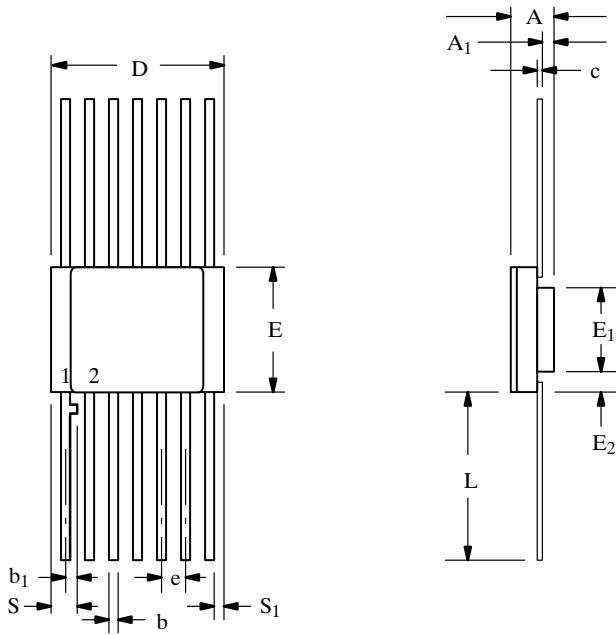
Dim	Millimeters		Inches	
	Min	Max	Min	Max
A	4.06	5.08	0.160	0.200
A ₁	1.27	2.16	0.050	0.085
b	1.14	1.65	0.045	0.065
b ₁	0.38	0.51	0.015	0.020
C	0.20	0.30	0.008	0.012
D-8	9.40	10.16	0.370	0.400
D-14	19.05	19.56	0.750	0.770
D-16	19.05	19.56	0.750	0.770
E	6.60	7.62	0.260	0.300
E ₁	7.62	8.26	0.300	0.325
e	2.54 BSC		0.100 BSC	
e ₁	7.62 BSC		0.300 BSC	
L	3.81	5.08	0.150	0.200
L ₁	3.18	3.81	0.125	0.150
L ₂	0.51	1.14	0.020	0.045
S-8	0.64	1.52	0.025	0.060
S-14	1.65	2.41	0.065	0.095
S-16	0.38	1.14	0.015	0.045
Θ	0°	15°	0°	15°

CerQuad Package (M Suffix), 28 & 44 Leads



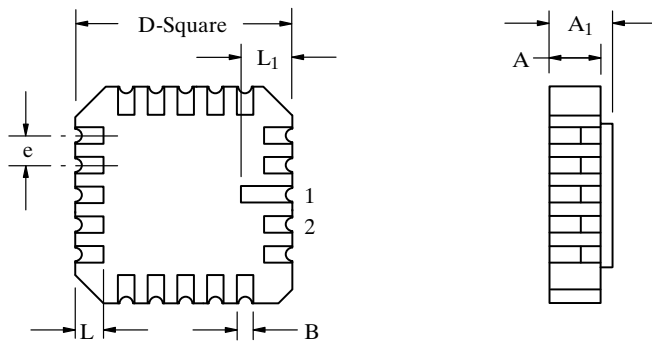
Dim	Millimeters		Inches	
	Min	Max	Min	Max
A	4.20	4.83	0.165	0.190
A ₁	2.29	3.04	0.090	0.120
b	0.66	0.81	0.026	0.032
b ₁	0.46	0.56	0.018	0.022
D-28	12.32	12.57	0.485	0.495
D-44	17.40	17.65	0.685	0.695
D ₁ -28	11.23	11.63	0.442	0.458
D ₁ -44	16.31	16.71	0.642	0.658
E-28	9.91	10.92	0.390	0.430
E-44	14.99	16.00	0.590	0.630
e	1.27 BSC		0.050 BSC	
L	0.51	—	0.020	—

Flat Package (L Suffix), 14 & 16 Leads



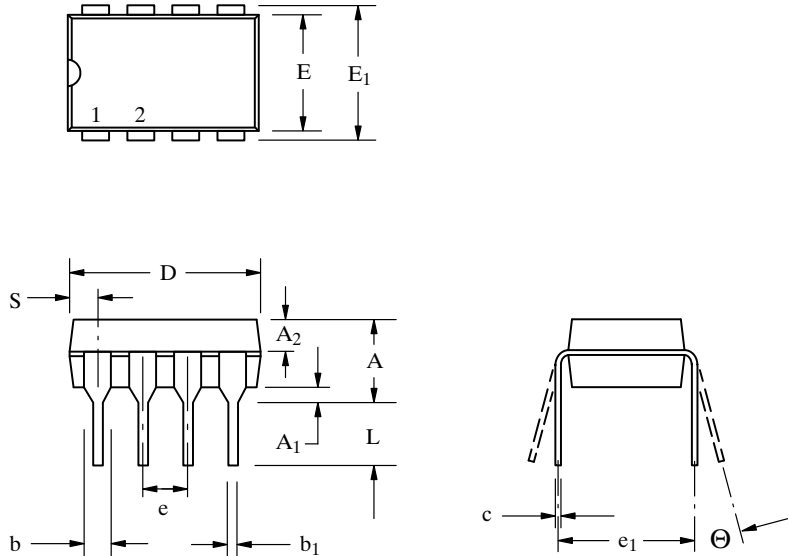
Dim	Millimeters		Inches	
	Min	Max	Min	Max
A	2.03	2.54	0.080	0.100
A ₁	0.66	1.14	0.026	0.045
b	0.38	0.48	0.015	0.019
b ₁	0.20	0.38	0.008	0.015
c	0.10	0.15	0.004	0.006
D-14	8.64	9.14	0.340	0.360
D-16	9.91	10.41	0.390	0.410
E-14	6.10	6.60	0.240	0.260
E-16	6.60	7.11	0.260	0.280
E ₁	4.45	4.95	0.175	0.195
E ₂	0.76	1.27	0.030	0.050
e	1.27 BSC		0.050 BSC	
L	7.62	8.89	0.300	0.350
S	–	1.14	–	0.045
S ₁	0.13	–	0.005	–

LCC Package, 20–28 Leads



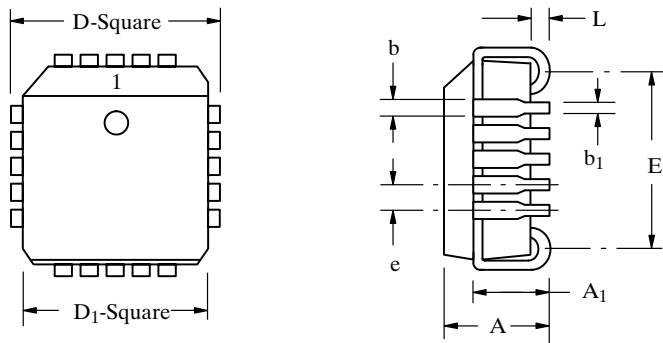
Dim	Millimeters		Inches	
	Min	Max	Min	Max
A	1.37	2.24	0.054	0.088
A ₁	1.63	2.54	0.064	0.100
B	0.56	0.71	0.022	0.028
D-20	8.69	9.09	0.342	0.358
D-28	11.23	11.63	0.442	0.458
e	1.27 BSC		0.050 BSC	
L	1.14	1.40	0.045	0.055
L ₁	1.96	2.36	0.077	0.093

Plastic DIP, 8–20 Leads



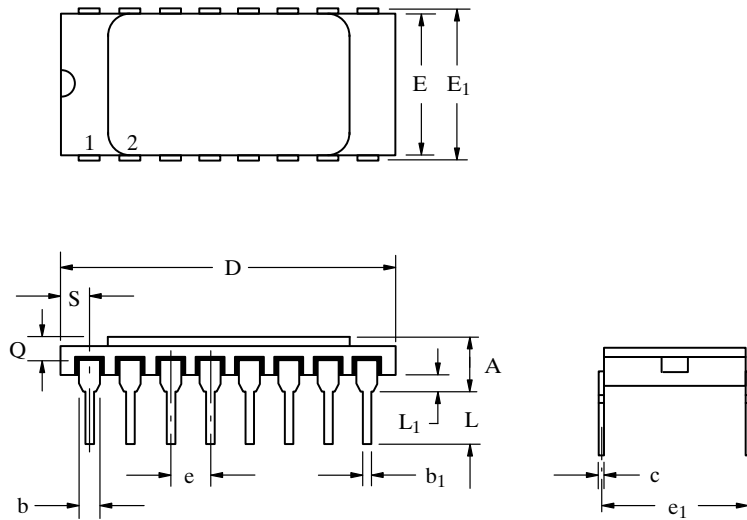
Dim	Millimeters		Inches	
	Min	Max	Min	Max
A	3.81	5.08	0.150	0.200
A ₁	0.38	1.27	0.015	0.050
A ₂	1.27	2.03	0.050	0.080
b	0.89	1.65	0.035	0.065
b ₁	0.38	0.51	0.015	0.020
c	0.20	0.30	0.008	0.012
D-8	9.65	11.68	0.380	0.460
D-14	17.27	19.30	0.680	0.760
D-16	18.93	21.33	0.745	0.840
D-20	24.89	26.92	0.980	1.060
E	5.59	7.11	0.220	0.280
E ₁	7.62	8.26	0.300	0.325
e	2.29	2.79	0.090	0.110
e ₁	7.37	7.87	0.290	0.310
L	2.79	3.81	0.110	0.150
S-8	1.02	2.03	0.040	0.080
S-14	1.02	2.03	0.040	0.080
S-16	0.38	1.52	0.015	0.060
S-20	1.02	2.03	0.040	0.080
Θ	0°	15°	0°	15°

PLCC, 20–44 Leads



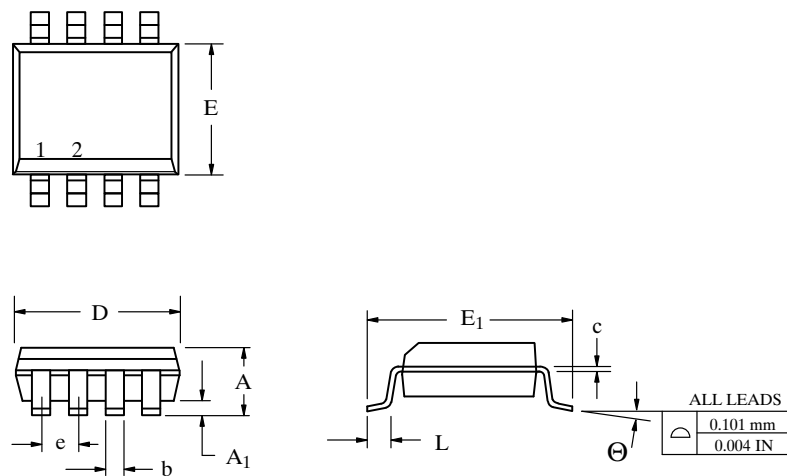
Dim	Millimeters		Inches	
	Min	Max	Min	Max
A	4.20	4.57	0.165	0.180
A ₁	2.29	3.04	0.090	0.120
b	0.66	0.81	0.026	0.032
b ₁	0.33	0.55	0.013	0.021
D-20	9.78	10.03	0.385	0.395
D-44	17.40	17.65	0.685	0.695
D ₁ -20	8.89	9.04	0.350	0.356
D ₁ -44	16.51	16.66	0.650	0.656
E-20	9.78	10.03	0.385	0.395
E-44	17.40	17.65	0.685	0.695
e	1.27 BSC		0.050 BSC	
L	0.51	–	0.020	–

Sidebrazed DIP, 14–24 Leads



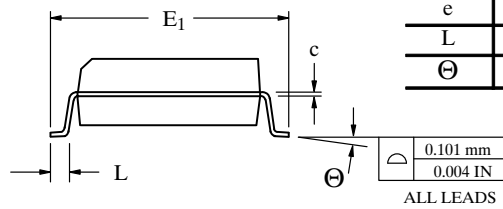
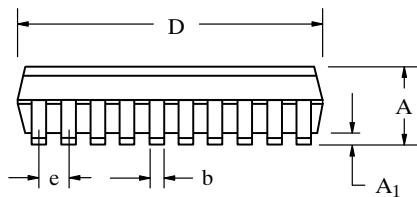
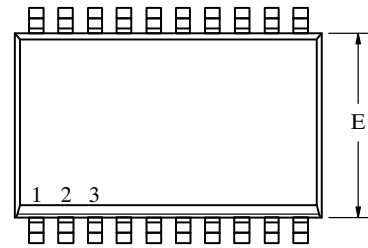
Dim	Millimeters		Inches	
	Min	Max	Min	Max
A	2.67	4.44	0.105	0.175
b	0.97	1.52	0.038	0.060
b ₁	0.38	0.53	0.015	0.021
c	0.20	0.30	0.008	0.012
D-14	17.53	19.55	0.690	0.770
D-16	19.56	21.08	0.770	0.830
D-20	24.89	26.16	0.890	1.030
D-24	29.97	31.24	1.180	1.230
E	7.12	7.87	0.280	0.310
E ₁	7.37	8.25	0.290	0.325
e	2.54 BSC		0.100 BSC	
e ₁	7.62 BSC		0.300 BSC	
L	3.18	4.44	0.125	0.175
L ₁	0.64	1.39	0.025	0.055
Q	0.25	—	0.010	—
S-14	0.77	2.41	0.030	0.095
S-16	0.51	1.65	0.020	0.065
S-20	0.77	1.65	0.030	0.065
S-24	0.77	2.41	0.030	0.095

SOIC, 8–16 Leads



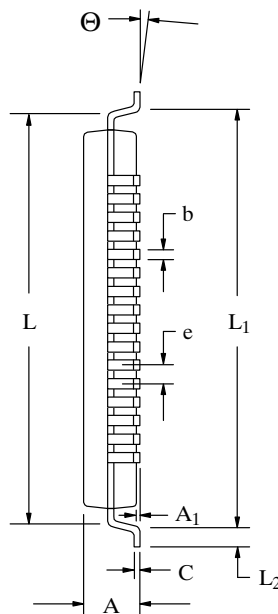
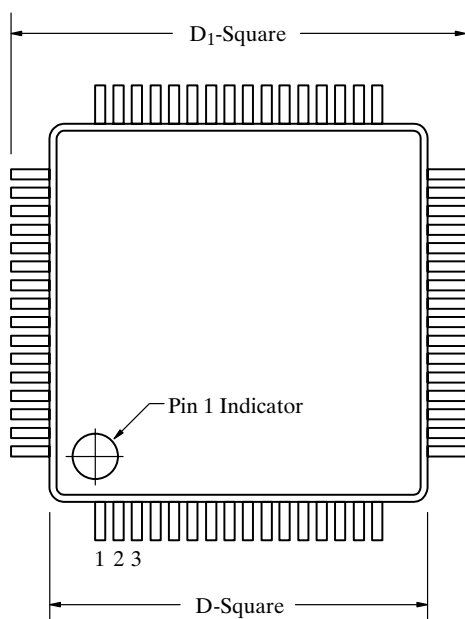
Dim	Millimeters		Inches	
	Min	Max	Min	Max
A	1.35	1.75	0.053	0.069
A ₁	0.10	0.20	0.004	0.008
B	0.35	0.45	0.014	0.018
c	0.18	0.23	0.007	0.009
D-8	4.69	5.00	0.185	0.196
D-14	8.55	8.75	0.336	0.344
D-16	9.80	10.00	0.385	0.393
E	3.50	4.05	0.140	0.160
E ₁	5.70	6.30	0.224	0.248
e	1.27 BSC		0.050 BSC	
L	0.60	0.80	0.024	0.031
Θ	0°	8°	0°	8°

SOIC Wide-Body, 16–28 Leads



Dim	Millimeters		Inches	
	Min	Max	Min	Max
A	2.15	2.90	0.085	0.114
A ₁	0.10	0.30	0.004	0.012
b	0.35	0.45	0.014	0.018
c	0.23	0.28	0.009	0.011
D-16	9.95	10.75	0.392	0.423
D-20	12.50	13.30	0.492	0.524
D-24	15.05	15.85	0.593	0.624
D-28	17.60	18.40	0.693	0.724
E	7.25	8.00	0.285	0.315
E ₁	9.80	10.60	0.386	0.417
e	127 BSC		0.050 BSC	
L	0.60	0.80	0.024	0.031
Θ	0°	8°	0°	8°

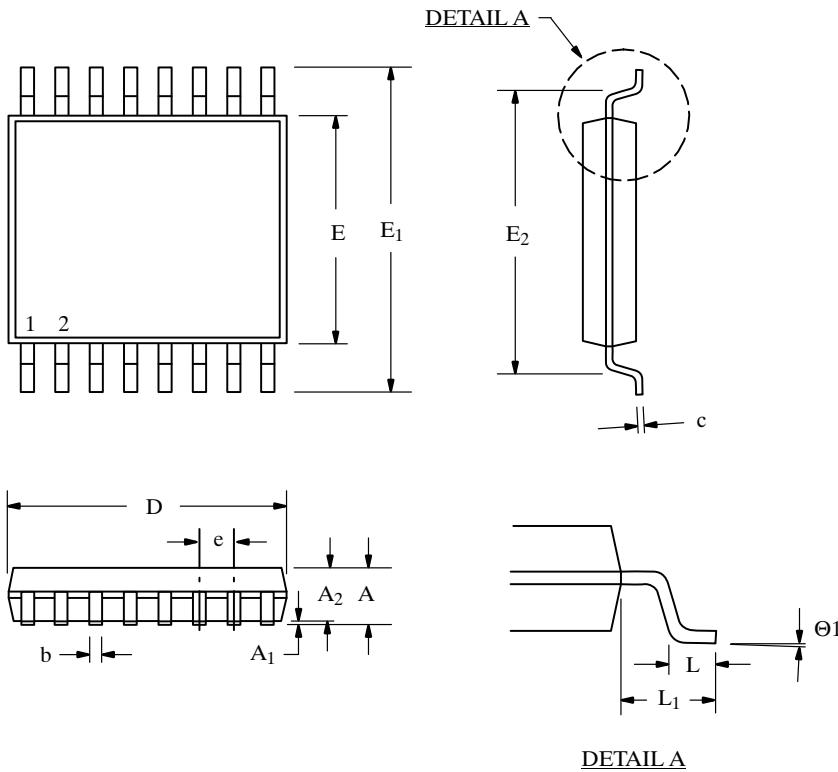
SQFP, 48 Leads



Dim	Millimeters		Inches*	
	Min	Max	Min	Max
A	1.35	1.60	0.053	0.063
A ₁	0.04	0.16	0.002	0.006
b	0.14	0.26	0.006	0.010
C	0.117	0.177	0.005	0.007
D	6.90	7.10	0.272	0.280
D ₁	8.70	9.30	0.343	0.366
e	0.40	0.60	0.016	0.024
L	–	7.80	–	0.307
L ₁	7.80	8.20	0.307	0.323
L ₂	0.30	0.70	0.012	0.028
Θ	0°	7°	0°	7°

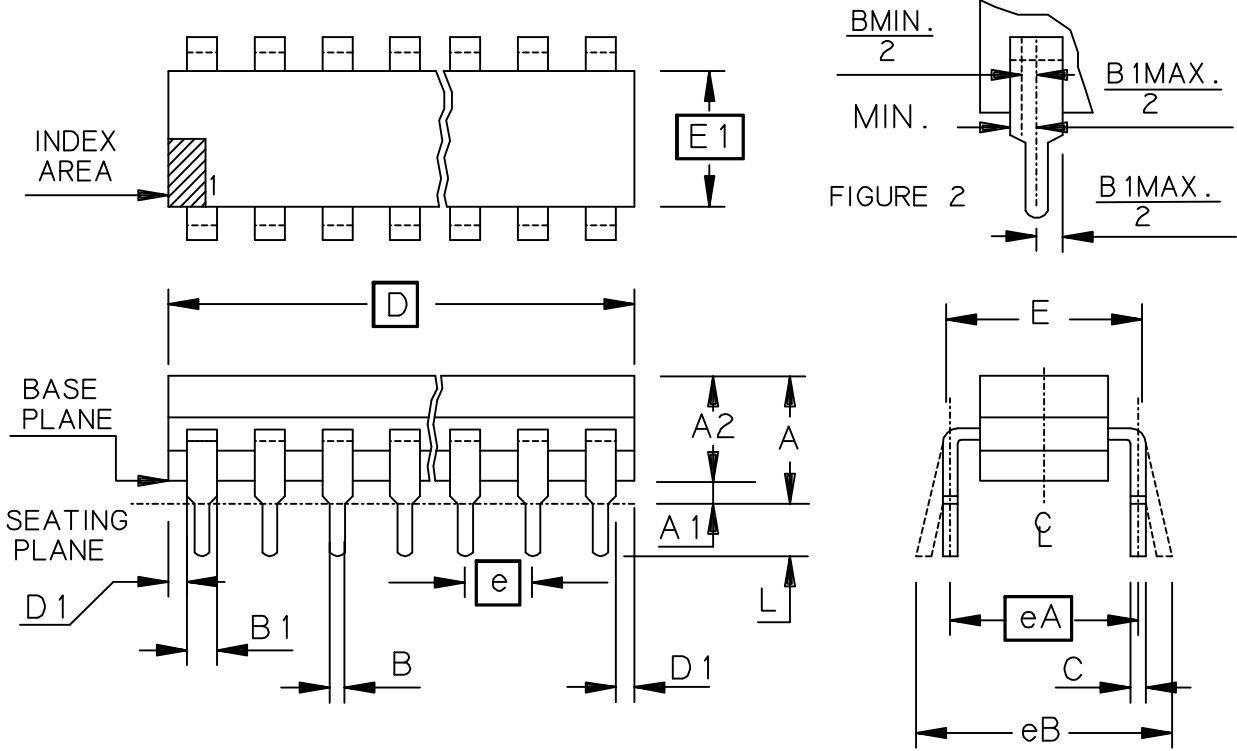
*For Reference Only

TSSOP, 16 Leads



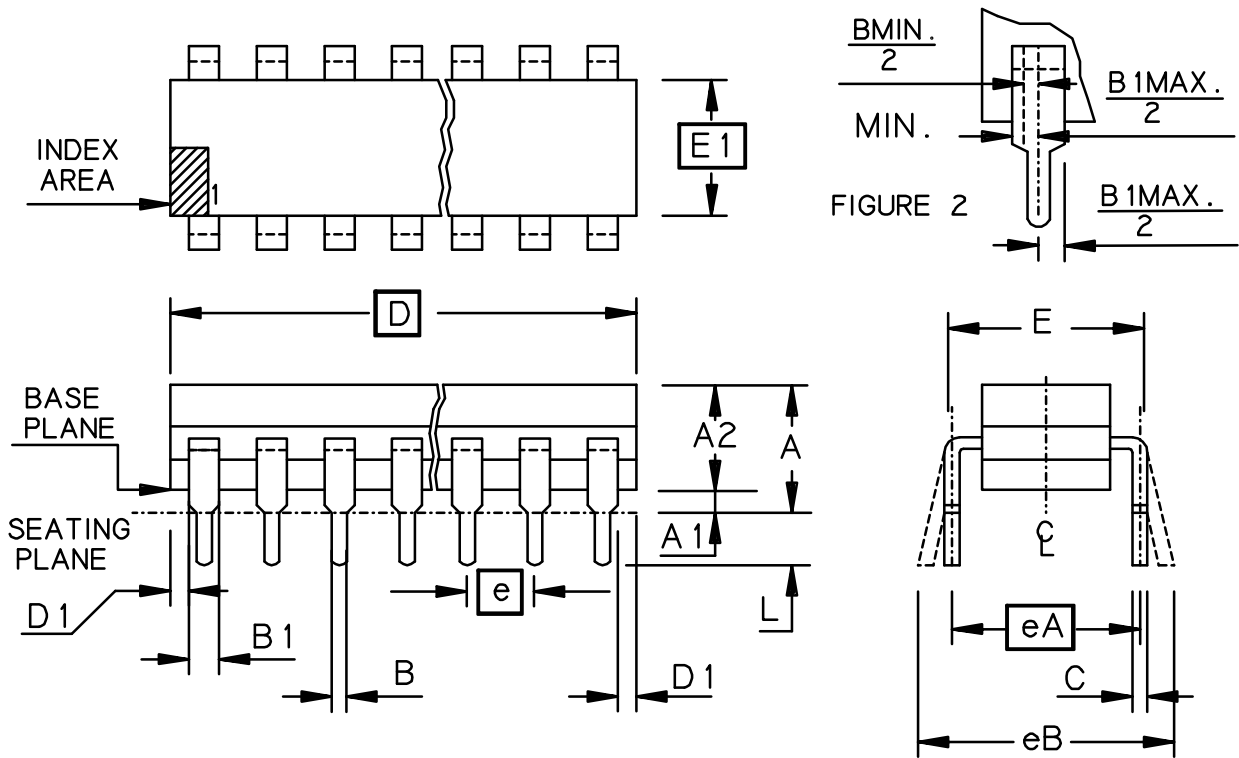
Dim	Millimeters		Inches	
	Min	Max	Min	Max
A	1.05	1.20	0.041	0.047
A ₁	0.05	0.15	0.002	0.006
A ₂	–	1.05	–	0.041
b	0.25	0.30	0.010	0.012
c	0.127		0.005	
D	4.90	5.10	0.193	0.201
E	4.30	4.50	0.170	0.177
E ₁	6.20	6.60	0.244	0.260
E ₂	5.14	5.24	0.202	0.206
e	0.65 BSC		0.025 BSC	
L	0.50	0.70	0.020	0.028
L ₁	1.0		0.039	
Θ ₁	0°	8°	0°	8°

14 PINS PLASTIC .300



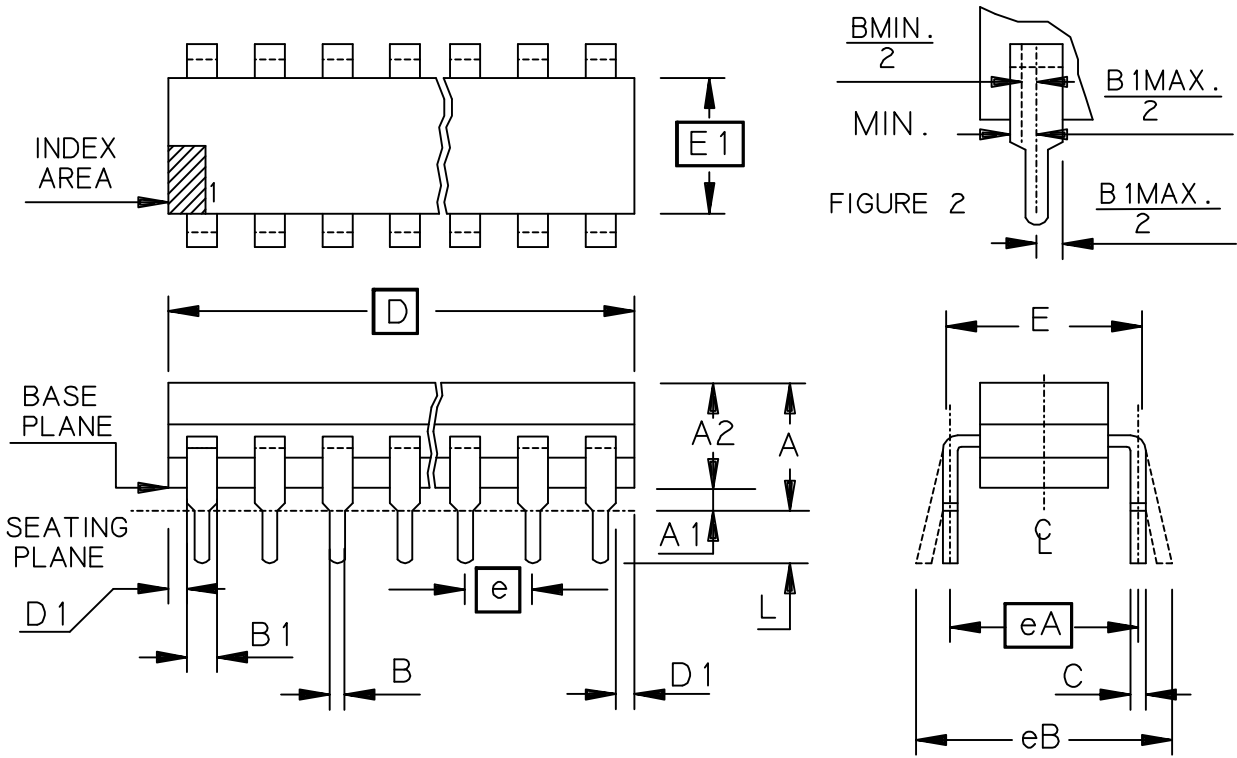
	MM		INCH	
A	-	5.33	-	.210
A1	0.38	-	.015	-
A2	2.92	4.95	.115	.195
B	0.36	-	.014	-
B1	1.14	1.78	.045	.070
C	0.20	0.38	.008	.015
D	18.41	20.19	.725	.795
E	7.62	8.25	.300	.325
E1	6.10	7.11	.240	.280
e	2.54	B.S.C	.100	B.S.C
eA	7.62	B.S.C	.300	B.S.C
eB	-	10.92	-	.430
L	2.92	4.06	.115	.160
D1	0.13	-	.005	-
PKG STD		02		

16 PINS PLASTIC .300



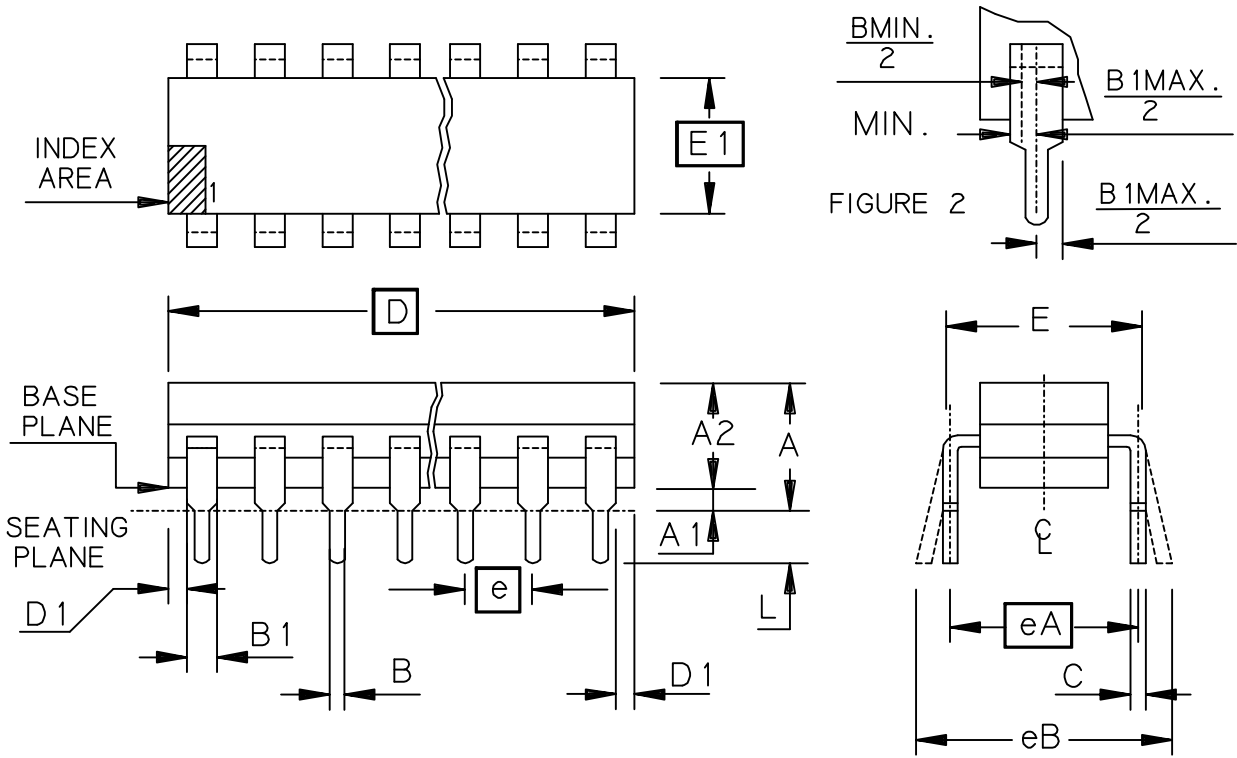
	MM		INCH	
A	-	5.33	-	.210
A1	0.39	-	.015	-
A2	2.92	4.95	.115	.195
B	0.36	-	.014	-
B1	1.14	1.78	.045	.070
C	0.20	0.38	.008	.015
D	18.92	21.34	.745	.840
E	7.62	8.25	.300	.325
E1	6.10	7.11	.240	.280
e	2.54	B.S.C	.100	B.S.C
eA	7.62	B.S.C	.300	B.S.C
eB	-	10.92	-	.430
L	2.92	4.06	.115	.160
D1	0.13	-	.005	-
PKG STD		02		

18 PINS PLASTIC .300



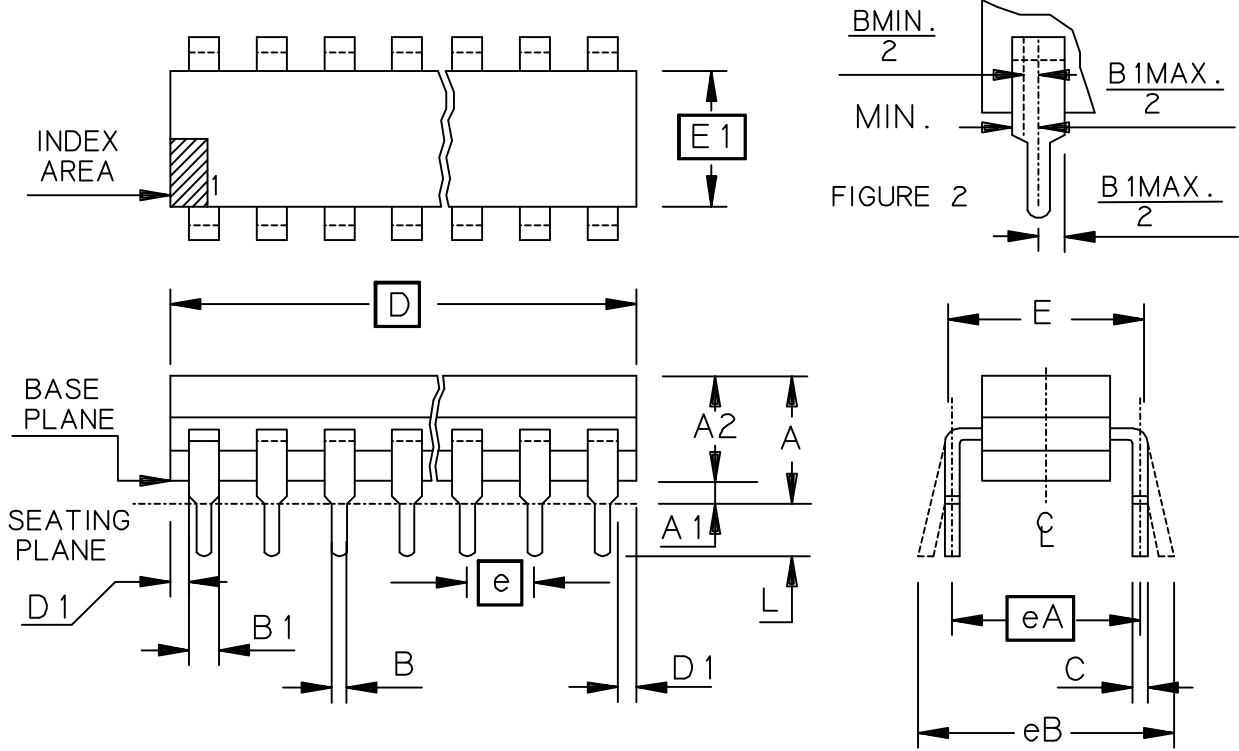
	MM		INCH	
A	-	5.33	-	.210
A1	0.38	-	.015	-
A2	2.92	4.95	.115	.195
B	0.36	-	.014	-
B1	1.14	1.78	.045	.070
C	0.20	0.38	.008	.015
D	21.46	23.49	.845	.925
E	7.62	8.25	.300	.325
E1	6.10	7.11	.240	.280
e	2.54	B.S.C	.100	B.S.C
eA	7.62	B.S.C	.300	B.S.C
eB	-	10.92	-	.430
L	2.93	4.06	.115	.160
D1	0.13	-	.005	-
PKG STD		02		

20 PINS PLASTIC .300



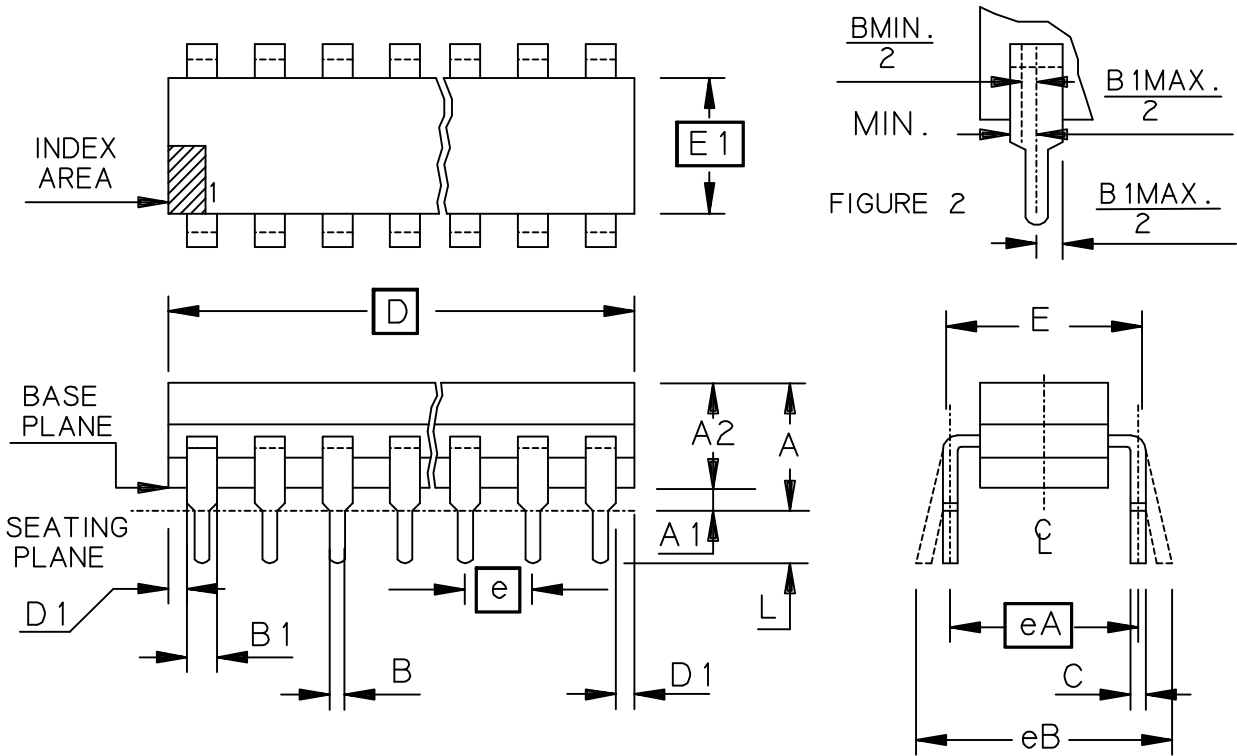
	MM		INCH	
A	-	5.33	-	.210
A1	0.39	-	.015	-
A2	2.92	4.95	.115	.195
B	0.36	-	.014	-
B1	1.14	1.78	.045	.070
C	0.20	0.38	.008	.015
D	23.50	26.90	.925	1.060
E	7.62	8.25	.300	.325
E1	6.10	7.11	.240	.280
e	2.54	B.S.C	.100	B.S.C
eA	7.62	B.S.C	.300	B.S.C
eB	-	10.92	-	.430
L	2.92	4.06	.115	.160
D1	0.13	-	.005	-
PKG STD		02		

22 PINS PLASTIC .300



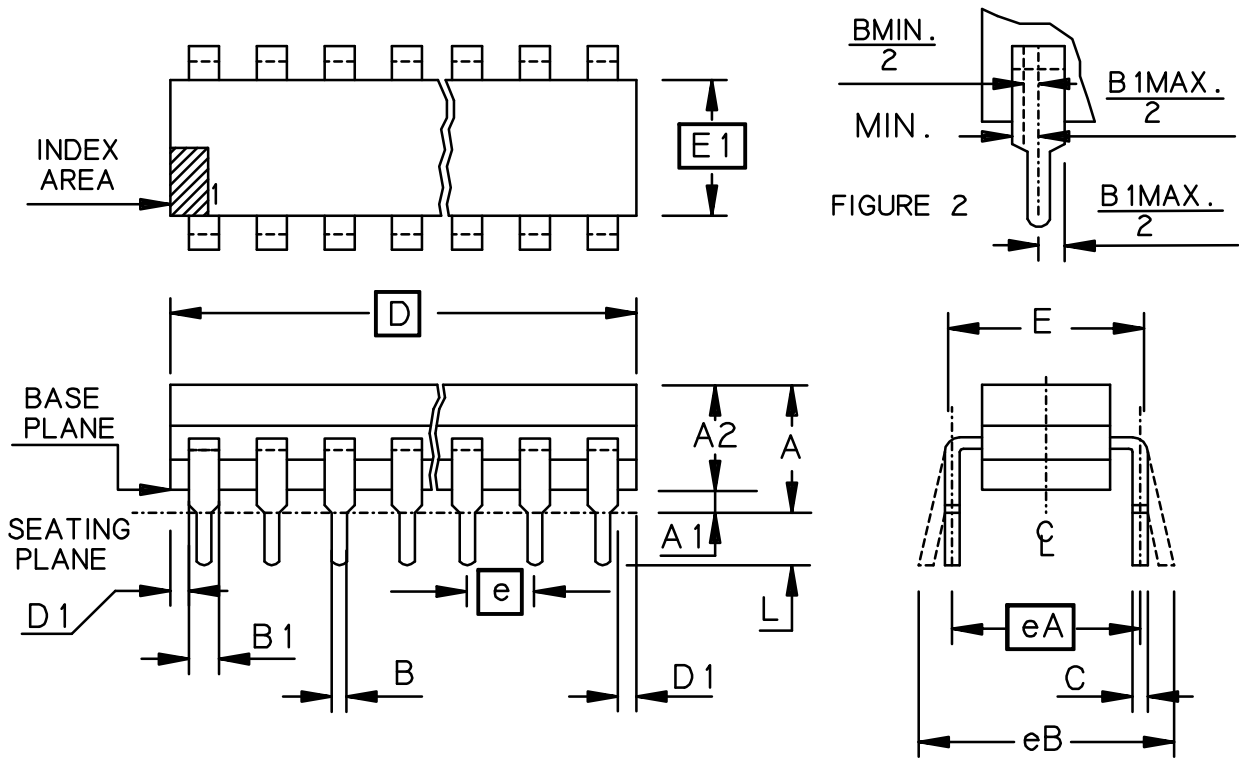
	MM		INCH	
A	-	5.33	-	.210
A1	0.39	-	.015	-
A2	2.92	4.95	.115	.195
B	0.36	-	.014	-
B1	1.14	1.78	.045	.070
C	0.20	0.38	.008	.015
D	26.04	26.29	1.025	1.035
E	7.62	8.25	.300	.325
E1	6.10	7.11	.240	.280
e	2.54	B.S.C	.100	B.S.C
eA	7.62	B.S.C	.300	B.S.C
eB	-	10.92	-	.430
L	2.92	4.06	.115	.160
D1	0.13	-	.005	-
PKG STD		00		

22 PINS PLASTIC .400



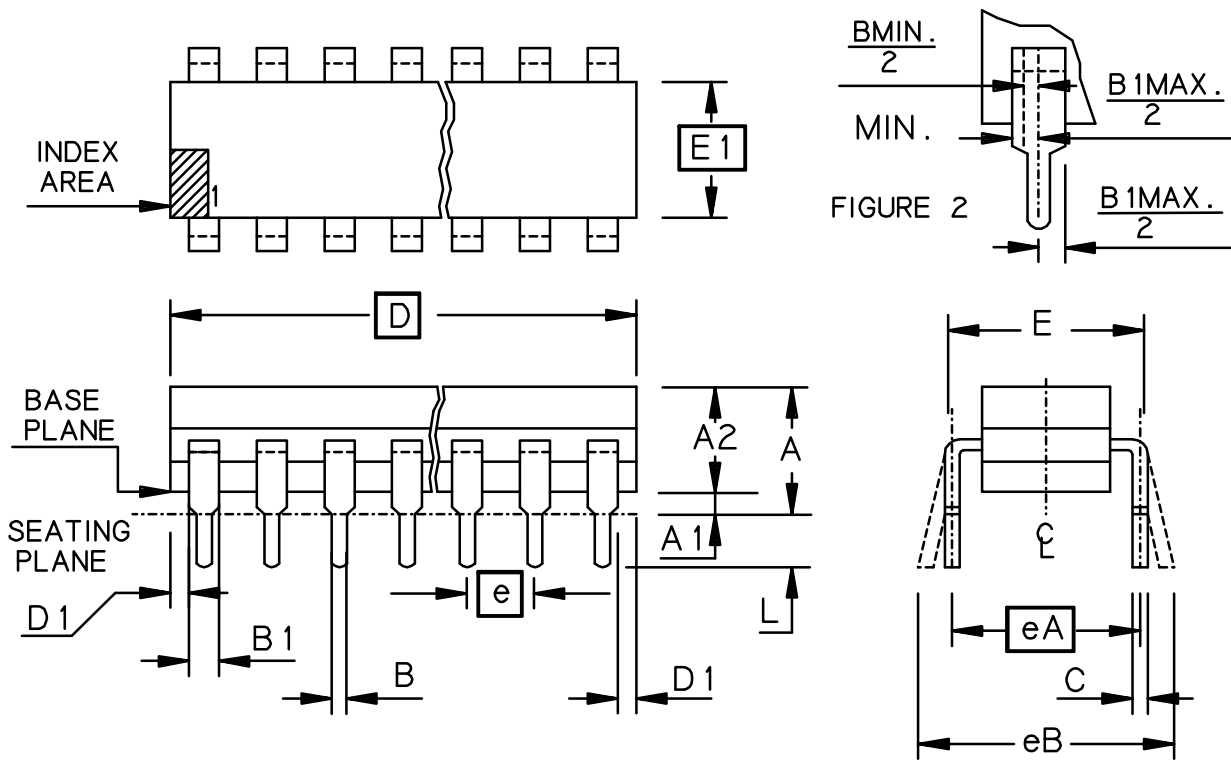
	MM		INCH	
A	-	5.33	-	.210
A1	0.39	-	.015	-
A2	3.18	4.95	.125	.195
B	0.36	0.56	.014	.022
B1	0.76	1.78	.030	.070
C	0.20	0.38	.008	.015
D	26.67	28.45	1.050	1.120
E	9.91	10.79	.390	.425
E1	8.38	9.65	.330	.380
e	2.54	B.S.C	.100	B.S.C
eA	10.16	B.S.C	.400	B.S.C
eB	-	12.70	-	.500
L	2.92	4.06	.115	.160
D1	0.13	-	.005	-
PKG STD		01		

24 PINS PLASTIC .300



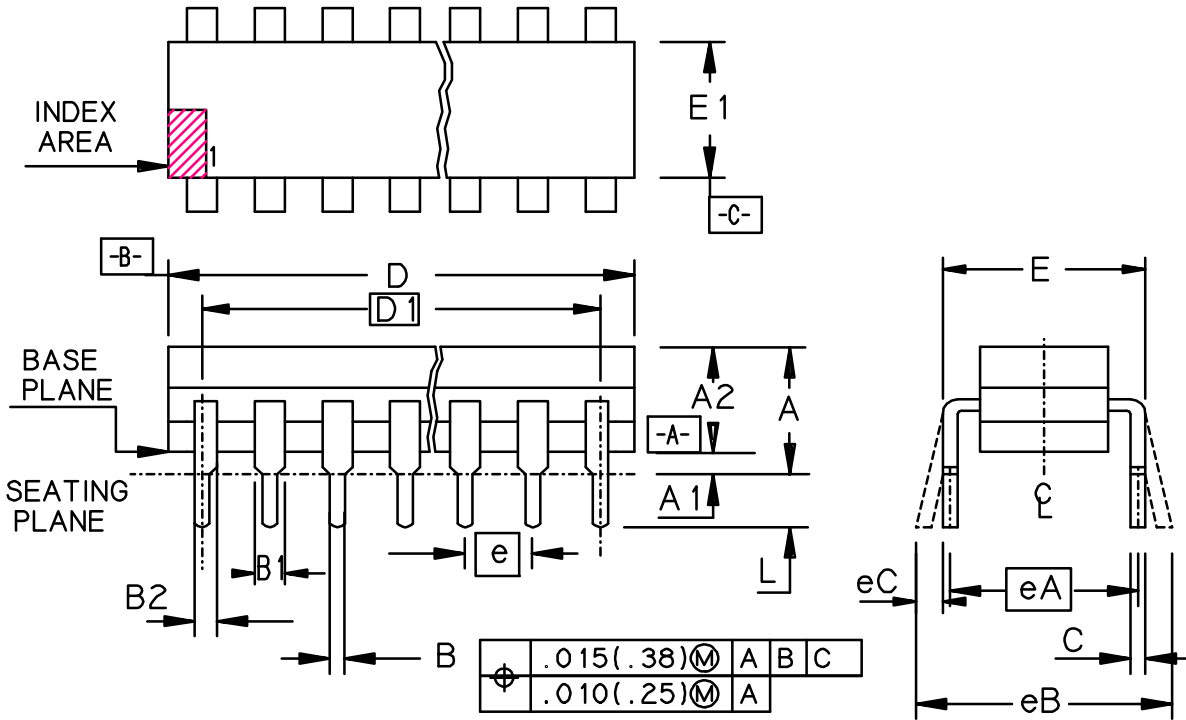
	MM		INCH	
A	-	5.33	-	.210
A1	0.39	-	.015	-
A2	2.92	4.95	.115	.195
B	0.36	-	.014	-
B1	1.14	1.78	.045	.070
C	0.20	0.38	.008	.015
D	28.60	32.30	1.125	1.275
E	7.62	8.25	.300	.325
E1	6.10	7.11	.240	.280
e	2.54	B.S.C	.100	B.S.C
eA	7.62	B.S.C	.300	B.S.C
eB	-	10.92	-	.430
L	2.92	4.06	.115	.160
D1	0.13	-	.005	-
PKG STD		02		

24 PINS PLASTIC .600



	MM		INCH	
A	-	6.35	-	.250
A1	0.38	-	.015	-
A2	3.18	4.95	.125	.195
B	0.36	0.56	.014	.022
B1	0.76	1.78	.030	.070
C	0.20	0.38	.008	.015
D	29.21	32.77	1.150	1.290
E	15.24	15.87	.600	.625
E1	12.32	14.73	.485	.580
e	2.54	B.S.C	.100	B.S.C
eA	15.24	B.S.C	.600	B.S.C
eB	-	17.78	-	.700
L	2.93	5.08	.115	.200
D1	0.13	-	.005	-
PKG STD		02		

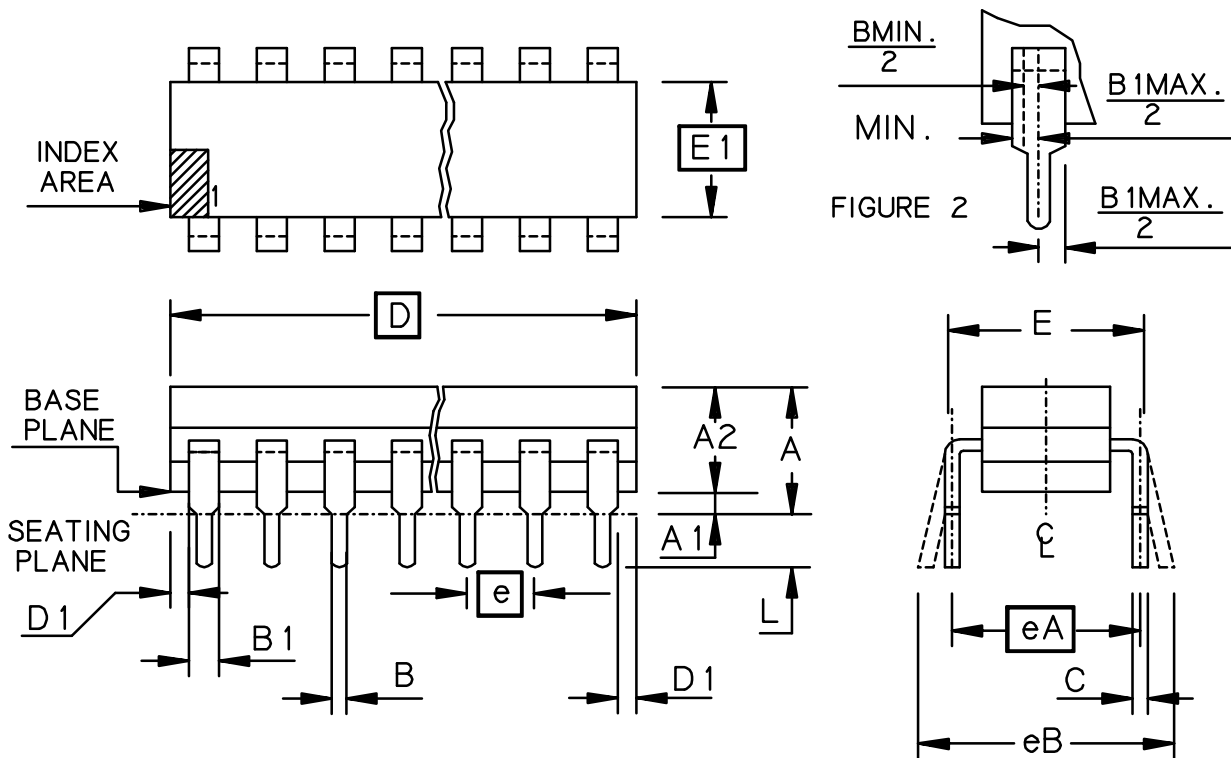
28 PINS PLASTIC .300



	MM		INCH	
A	-	4.57	-	.180
A1	0.38	-	.015	-
A2	3.05	3.81	.120	.150
B	0.36	0.56	.014	.022
B1	1.14	1.52	.045	.060
B2	0.76	1.14	.030	.045
C	0.20	0.38	.008	.015
D	34.16	35.18	1.345	1.385
D1	33.02 BSC		1.300 BSC	
E	7.62	8.26	.300	.325
E1	6.99	7.49	.275	.295
e	2.54	BSC	.100	BSC
eA	7.62	BSC	.300	BSC
eB	-	10.92	-	.430
eC	0.00	1.52	.000	.060
L	2.79	3.81	.110	.150

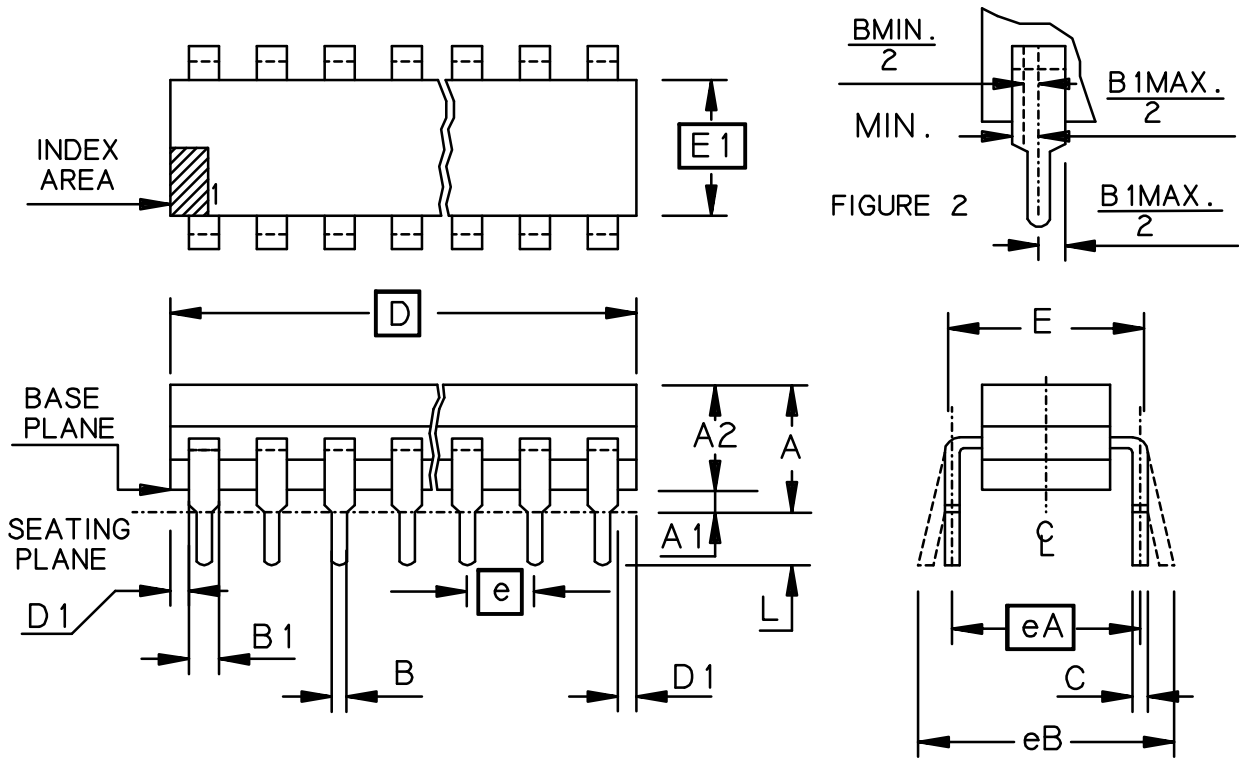
COMPLIANT JEDEC M0-095 ISSUE A

28 PINS PLASTIC .600



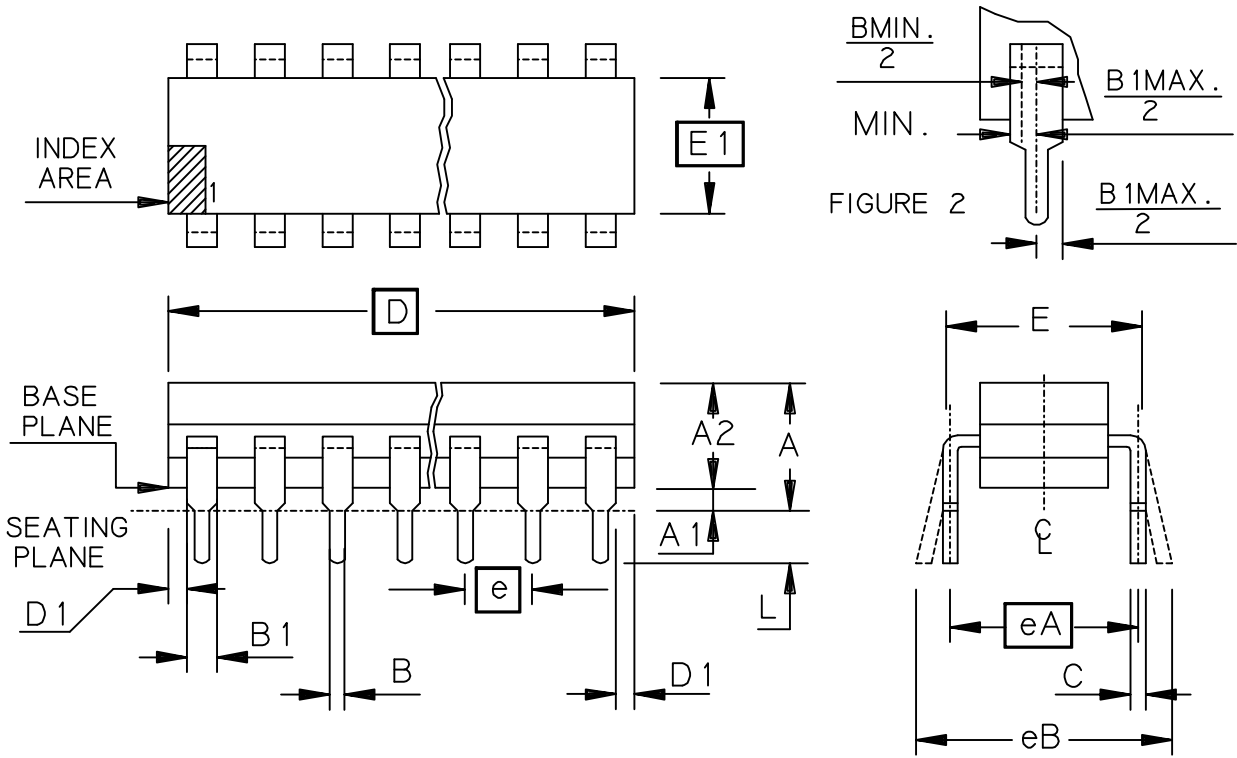
	MM		INCH	
A	-	6.35	-	.250
A1	0.38	-	.015	-
A2	3.18	4.95	.125	.195
B	0.36	0.56	.014	.022
B1	0.76	1.78	.030	.070
C	0.20	0.38	.008	.015
D	35.05	39.75	1.380	1.565
E	15.24	15.87	.600	.625
E1	12.32	14.73	.485	.580
e	2.54	B.S.C	.100	B.S.C
eA	15.24	B.S.C	.600	B.S.C
eB	-	17.78	-	.700
L	2.93	5.08	.115	.200
D1	0.13	-	.005	-
PKG STD		02		

40 PINS PLASTIC .600



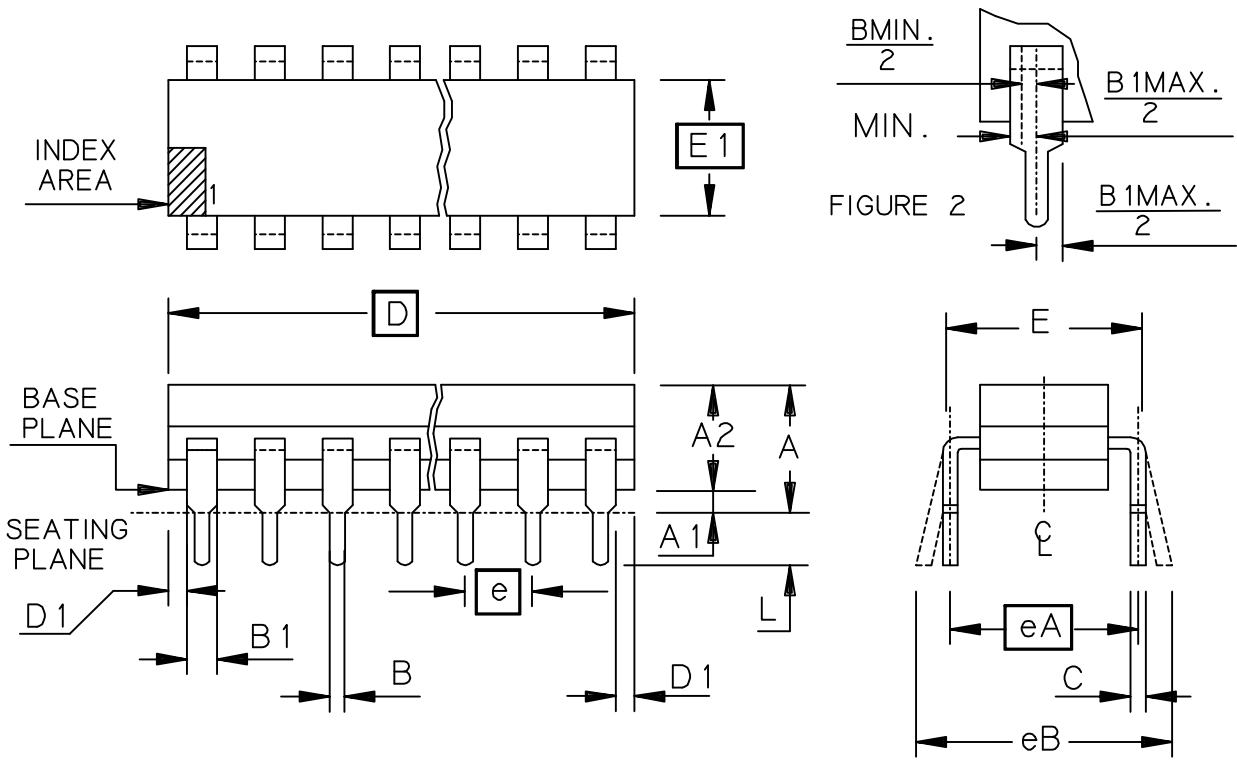
	MM		INCH	
A	-	5.08	-	.200
A1	0.38	-	.015	-
A2	3.18	4.95	.125	.195
B	0.36	0.56	.014	.022
B1	0.76	1.78	.030	.070
C	0.20	0.38	.008	.015
D	50.29	53.21	1.980	2.095
E	15.24	15.87	.600	.625
E1	12.32	14.73	.485	.580
e	2.54	B.S.C	.100	B.S.C
eA	15.24	B.S.C	.600	B.S.C
eB	-	17.78	-	.700
L	2.93	3.81	.115	.150
D1	0.13	-	.005	-
PKG STD		02		

48 PINS PLASTIC .600



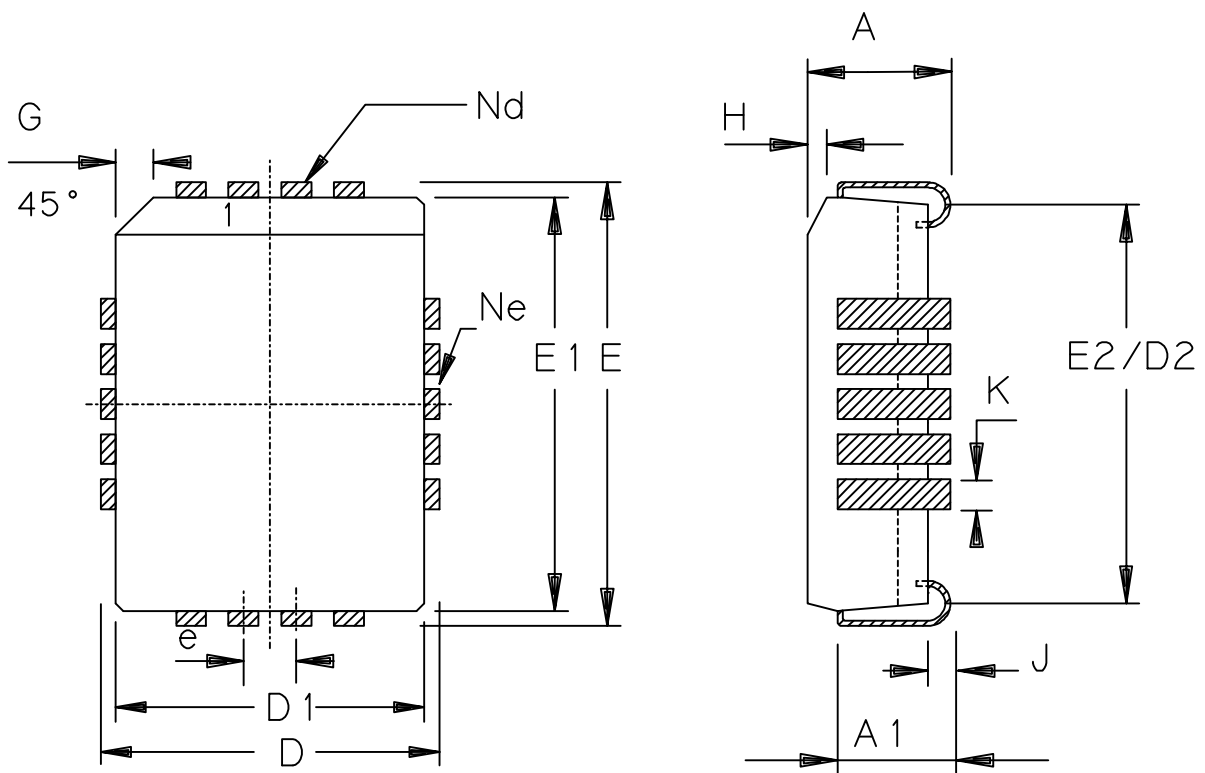
	MM		INCH	
A	-	6.35	-	.250
A1	0.38	-	.015	-
A2	3.18	4.95	.125	.195
B	0.36	0.56	.014	.022
B1	0.76	1.78	.030	.070
C	0.20	0.38	.008	.015
D	61.98	62.48	2.440	2.460
E	15.24	15.87	.600	.625
E1	12.32	14.73	.485	.580
e	2.54	B.S.C	.100	B.S.C
eA	15.24	B.S.C	.600	B.S.C
eB	-	17.78	-	.700
L	2.93	5.08	.115	.200
D1	0.13	-	.005	-
PKG STD		01		

64 PINS PLASTIC .900



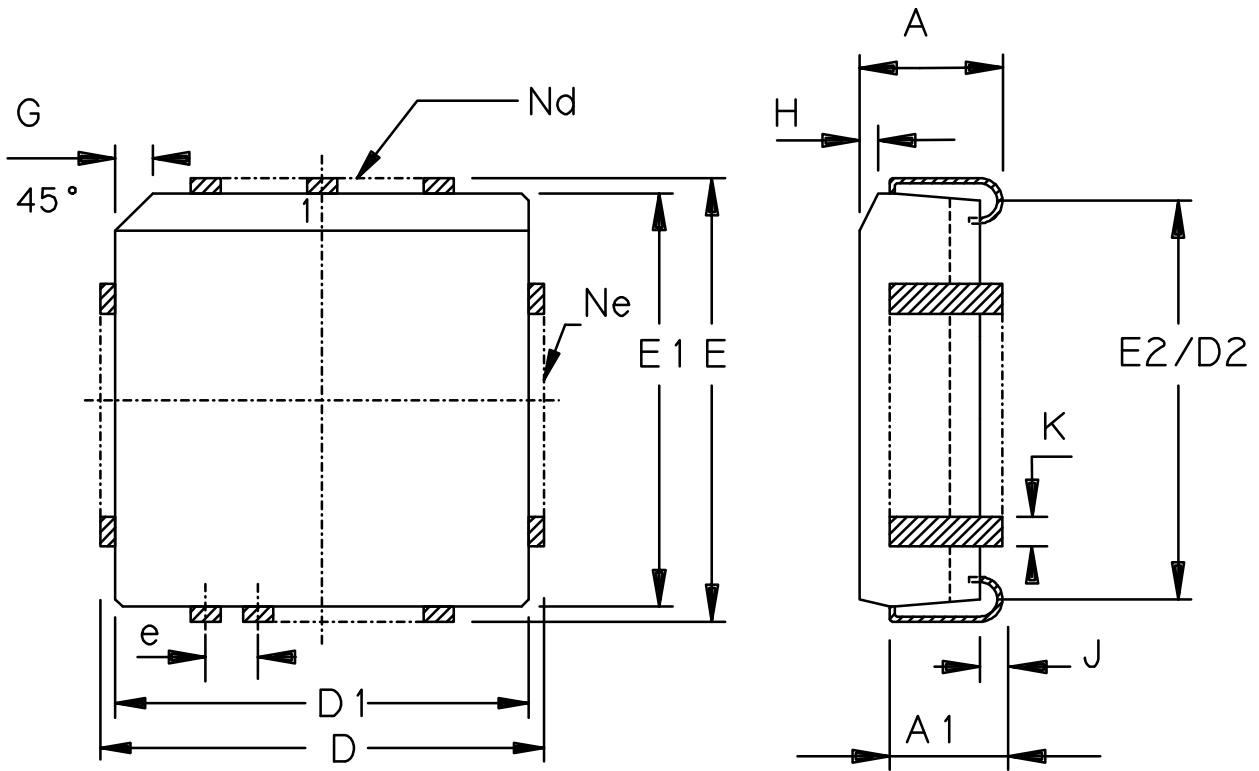
	MM		INCH	
A	-	6.35	-	.250
A1	0.38	-	.015	-
A2	3.18	4.95	.125	.195
B	0.36	0.56	.014	.022
B1	0.76	1.78	.030	.070
C	0.20	0.38	.008	.015
D	81.28	82.30	3.200	3.240
E	22.86	23.49	.900	.925
E1	20.19	20.45	.795	.805
e	2.54	B.S.C	.100	B.S.C
eA	22.86	B.S.C	.900	B.S.C
eB	-	25.40	-	1.000
L	2.93	5.08	.115	.200
D1	0.13	-	.005	-
PKG STD		00		

18 PINS PLCC



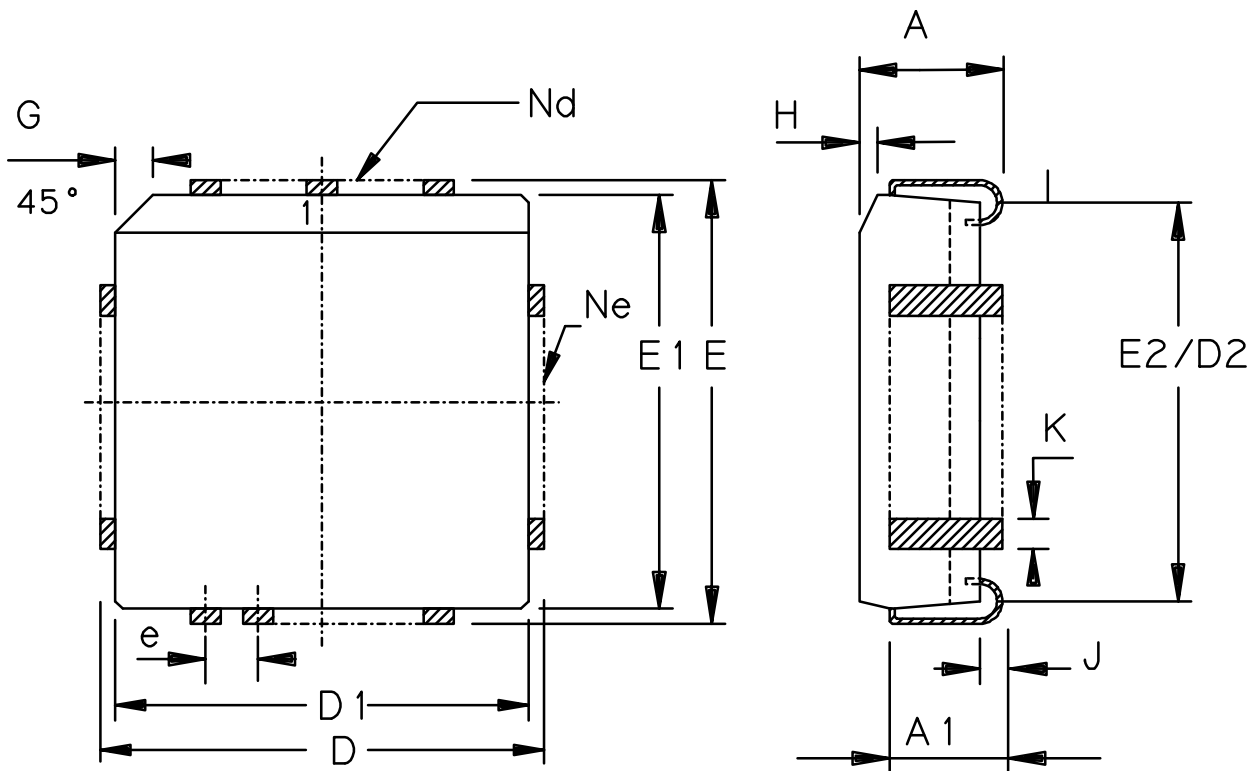
	MM		INCH	
	A	2.54	3.56	.100
A1	1.52	2.41	.060	.095
D	8.05	8.30	.317	.327
D1	7.16	7.31	.282	.288
D2	5.64	6.73	.222	.265
E	11.61	11.86	.457	.467
E1	10.72	10.87	.422	.428
E2	9.19	10.29	.362	.405
e	1.27	BSC	.050	BSC
G	1.07	1.22	.042	.048
H	0.58	0.74	.023	.029
J	0.38	-	.015	-
K	0.33	0.53	.013	.021
Nd	4		4	
Ne	5		5	
PKG STD	00			

20 PINS PLCC



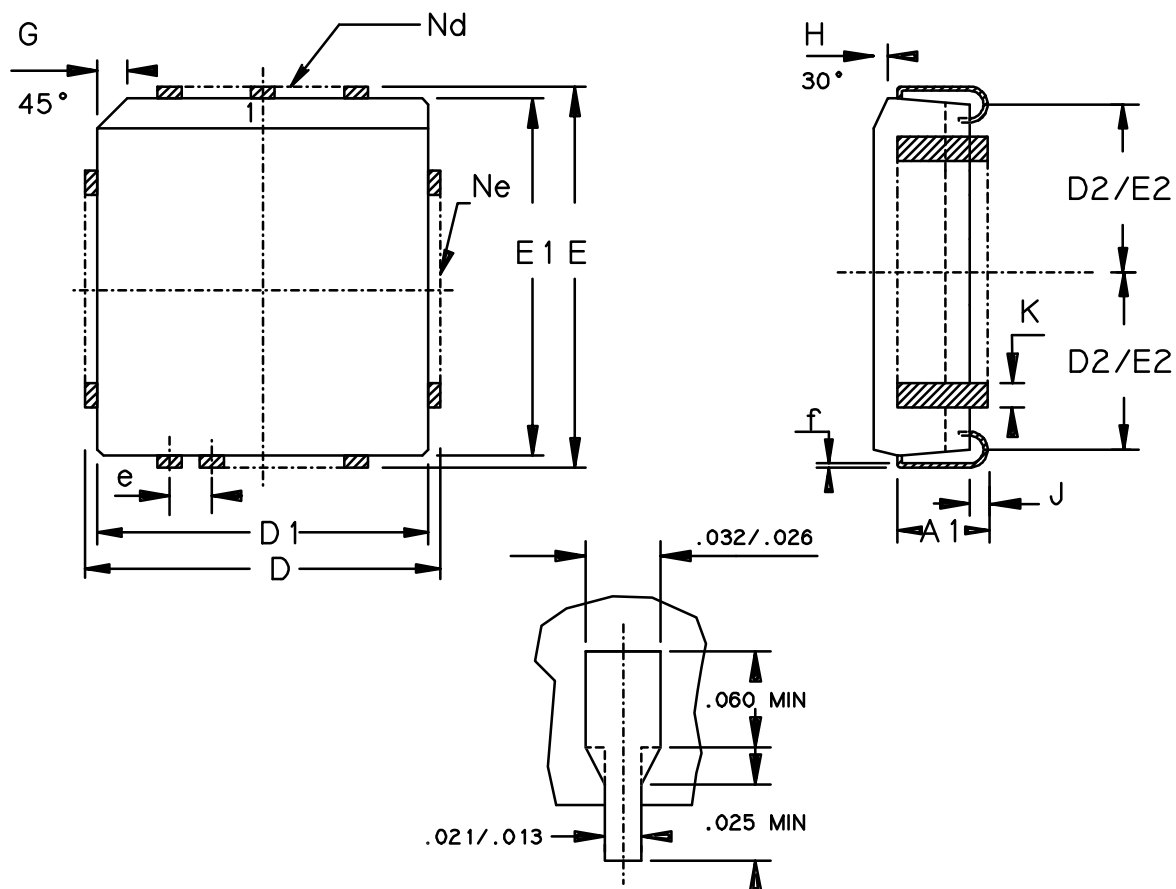
	MM		INCH	
	A	4.20	4.57	.165
A1	2.29	3.04	.090	.120
D	9.78	10.03	.385	.395
D1	8.89	9.04	.350	.356
D2	7.37	8.38	.290	.330
E	9.78	10.03	.385	.395
E1	8.89	9.04	.350	.356
E2	7.37	8.38	.290	.330
e	1.27	BSC	.050	BSC
G	1.07	1.22	.042	.048
H	1.07	1.42	.042	.056
J	0.51	-	.020	-
K	0.33	0.53	.013	.021
Nd	5		5	
Ne	5		5	
PKG STD		00		

28 PINS PLCC



	MM		INCH	
	A	4.20	4.57	.165
A1	2.29	3.04	.090	.120
D	12.32	12.57	.485	.495
D1	11.43	11.58	.450	.456
D2	9.91	10.92	.390	.430
E	12.32	12.57	.485	.495
E1	11.43	11.58	.450	.456
E2	9.91	10.92	.390	.430
e	1.27	BSC	.050	BSC
G	1.07	1.22	.042	.048
H	1.07	1.42	.042	.056
J	0.51	-	.020	-
K	0.33	0.53	.013	.021
Nd	7		7	
Ne	7		7	
PKG STD	00			

32 PINS RECTANGULAR PLCC



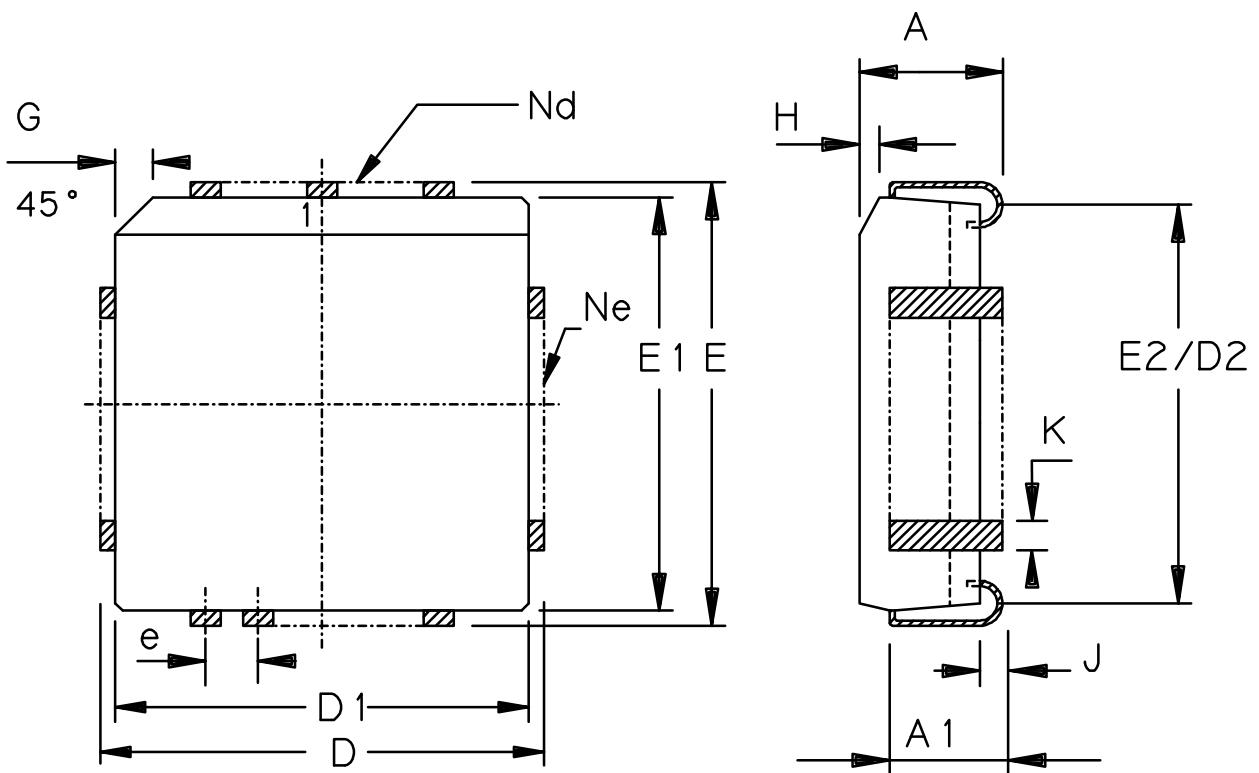
	MM		INCH	
A	3.18	3.55	.125	.140
A1	1.53	2.41	.060	.095
D	12.32	12.57	.485	.495
D1	11.36	11.50	.447	.453
D2	4.78	5.66	.188	.223
E	14.86	15.11	.585	.595
E1	13.90	14.04	.547	.553
E2	6.05	6.93	.238	.273
e	1.27 BSC		.050 BSC	
f	0.25 TYP		.010 TYP	
G	1.06	1.22	.042	.048
H	0.58	0.74	.023	.029
J	0.38	-	.015	-
K	0.66	0.82	.026	.032
Nd/Ne	7/9		7/9	

COMPLIANT JEDEC MS-016

CODE : S1

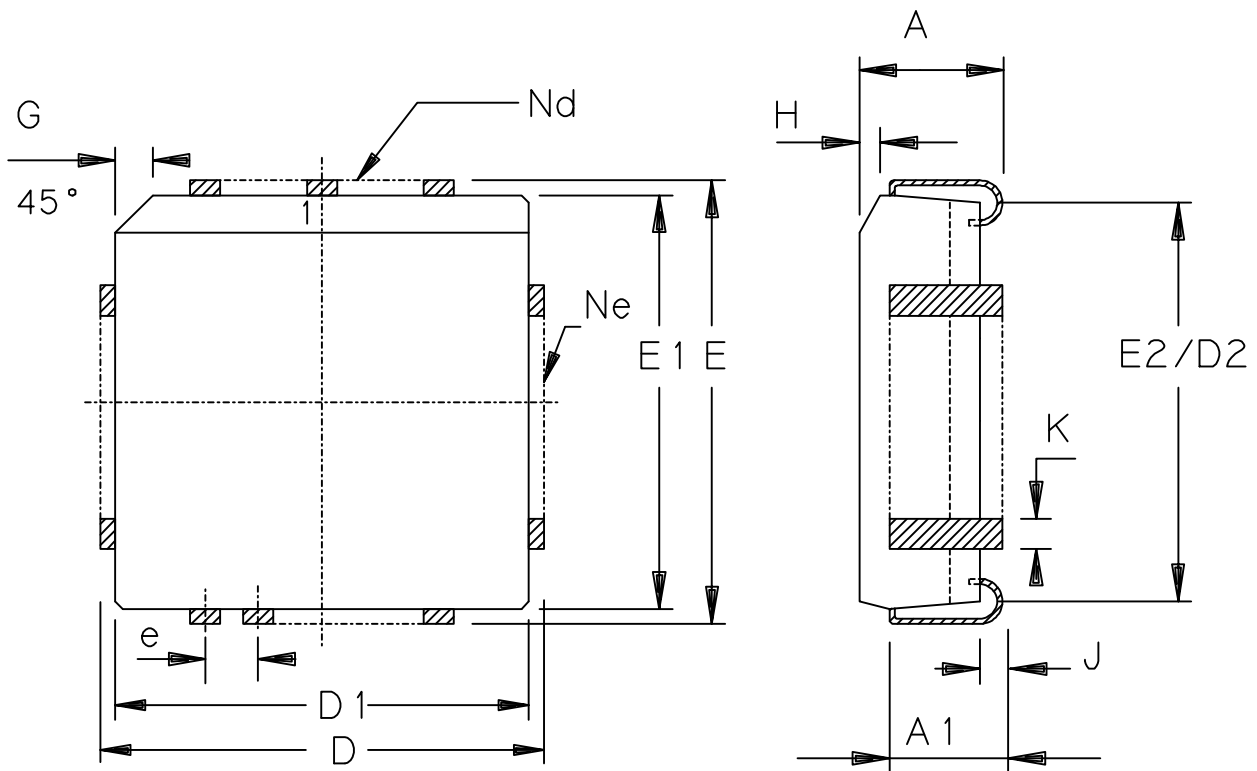
REV : D DATE : 24-07-95

44 PINS PLCC



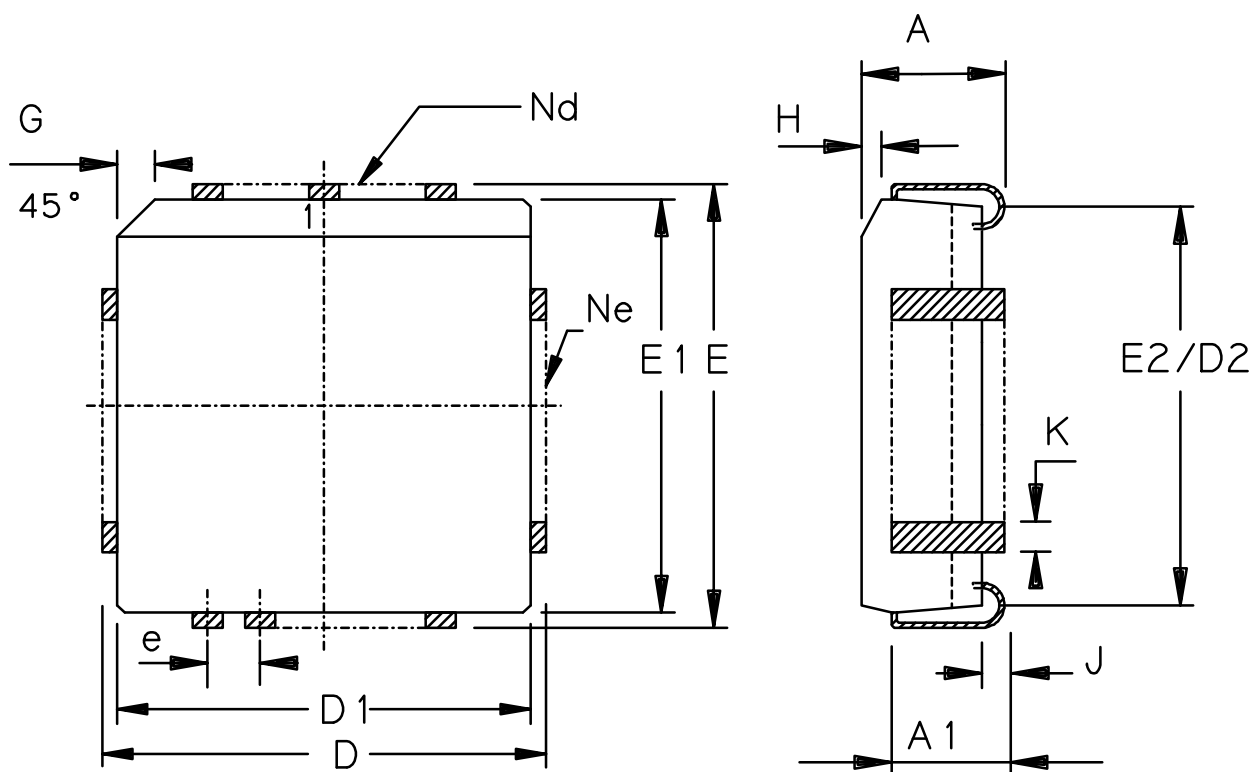
	MM		INCH	
	A	4.20	4.57	.165
A1	2.29	3.04	.090	.120
D	17.40	17.65	.685	.695
D1	16.44	16.66	.647	.656
D2	14.99	16.00	.590	.630
E	17.40	17.65	.685	.695
E1	16.44	16.66	.647	.656
E2	14.99	16.00	.590	.630
e	1.27	BSC	.050	BSC
G	1.07	1.22	.042	.048
H	1.07	1.42	.042	.056
J	0.51	-	.020	-
K	0.33	0.53	.013	.021
Nd	11		11	
Ne	11		11	
PKG STD	00			

52 PINS PLCC



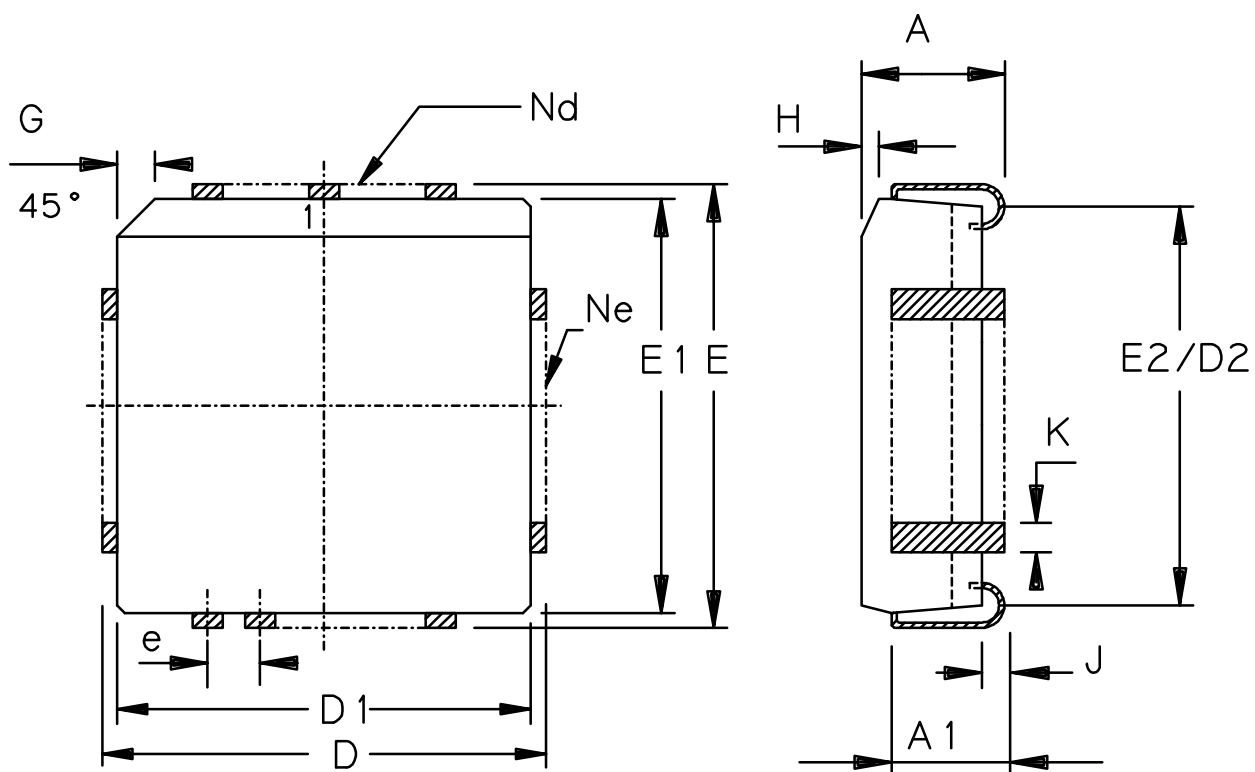
	MM		INCH	
	A	4.20	5.08	.165
A1	2.29	3.30	.090	.130
D	19.94	20.19	.785	.795
D1	19.05	19.25	.750	.758
D2	17.53	18.54	.690	.730
E	19.94	20.19	.785	.795
E1	19.05	19.25	.750	.758
E2	17.53	18.54	.690	.730
e	1.27	BSC	.050	BSC
G	1.07	1.22	.042	.048
H	1.07	1.42	.042	.056
J	0.51	-	.020	-
K	0.33	0.53	.013	.021
Nd	13		13	
Ne	13		13	
PKG STD	00			

68 PINS PLCC



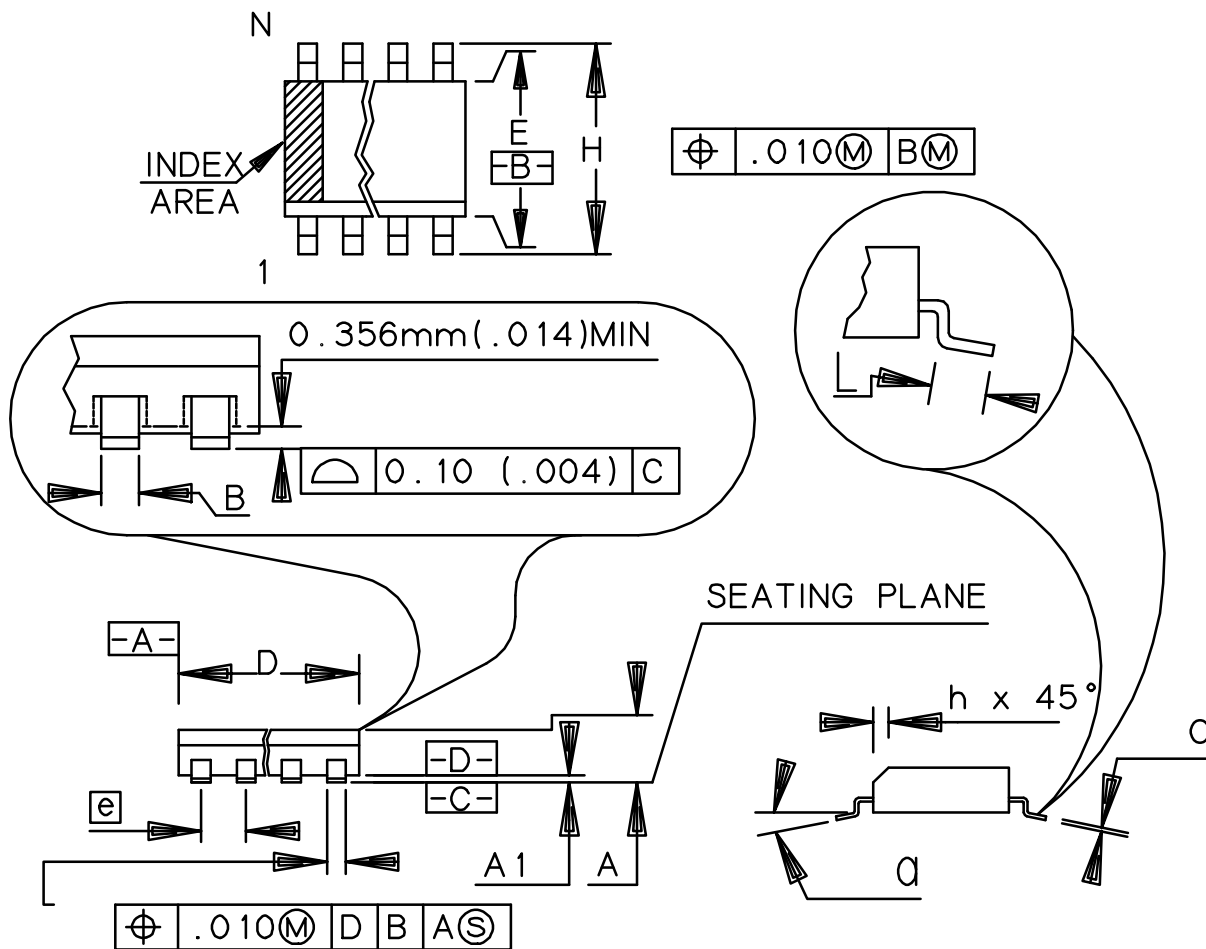
	MM		INCH	
	A	4.20	5.08	.165
A1	2.29	3.30	.090	.130
D	25.02	25.27	.985	.995
D1	24.13	24.33	.950	.958
D2	22.61	23.62	.890	.930
E	25.02	25.27	.985	.995
E1	24.13	24.33	.950	.958
E2	22.61	23.62	.890	.930
e	1.27	BSC	.050	BSC
G	1.07	1.22	.042	.048
H	1.07	1.42	.042	.056
J	0.51	-	.020	-
K	0.33	0.53	.013	.021
Nd	17		17	
Ne	17		17	
PKG STD		00		

84 PINS PLCC



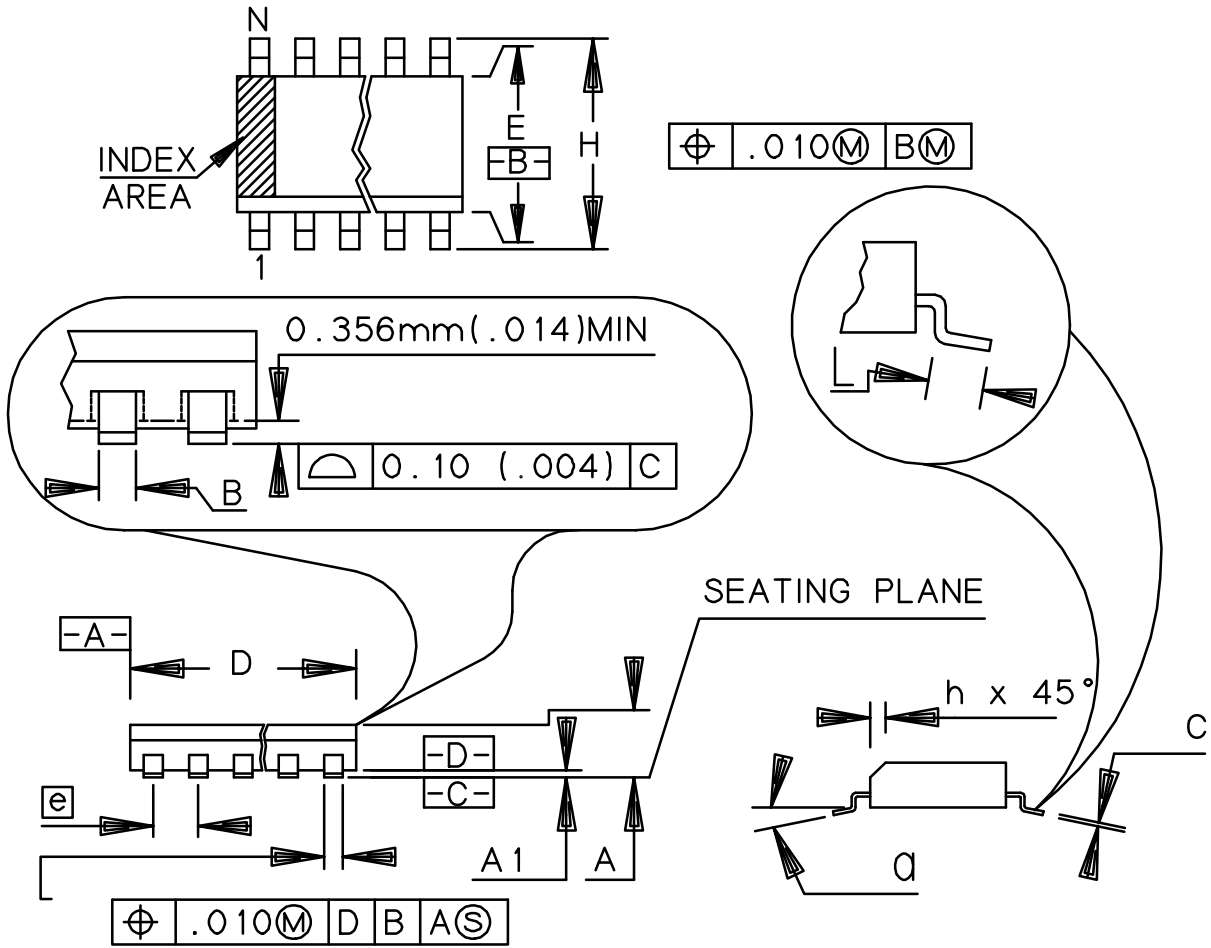
	MM		INCH	
	A	4.20	5.08	.165
A1	2.29	3.30	.090	.130
D	30.10	30.35	1.185	1.195
D1	29.21	29.41	1.150	1.158
D2	27.69	28.70	1.090	1.130
E	30.10	30.35	1.185	1.195
E1	29.21	29.41	1.150	1.158
E2	27.69	28.70	1.090	1.130
e	1.27	BSC	.050	BSC
G	1.07	1.22	.042	.048
H	1.07	1.42	.042	.056
J	0.51	-	.020	-
K	0.33	0.53	.013	.021
Nd	21		21	
Ne	21		21	
PKG STD		00		

08 PINS SO .150



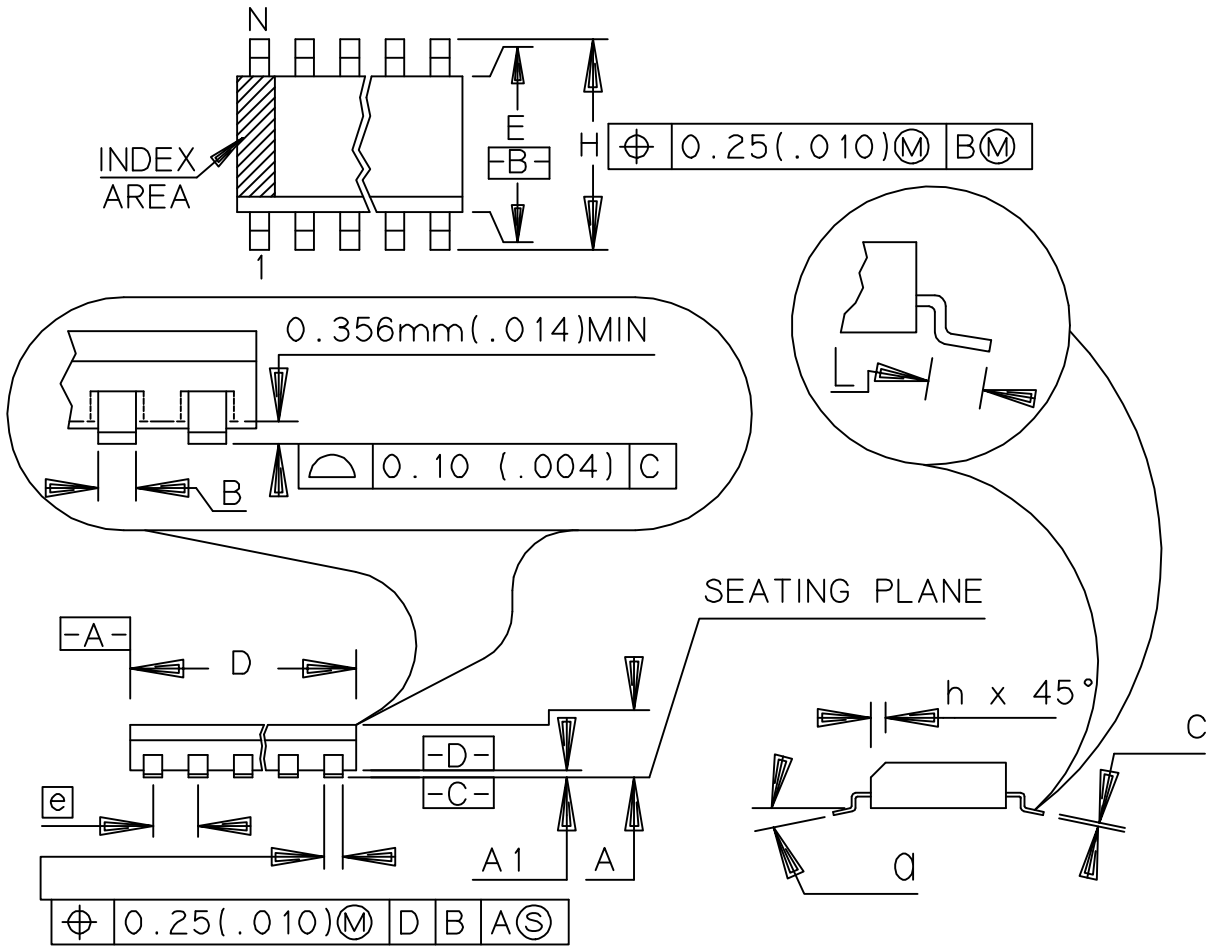
	MM		INCH	
A	1.55	1.73	.061	.068
A1	0.127	0.25	.004	.0098
B	0.35	0.49	.014	.019
C	0.19	0.25	.0075	.0098
D	4.80	4.98	.189	.196
E	3.81	3.99	.150	.157
e	1.27	BSC	.050	BSC
H	5.84	6.20	.230	.244
h	0.25	0.41	.010	.016
L	0.41	0.89	.016	.035
N	8		8	
a	0°	8°	0°	8°

16 PINS SO .150



	MM		INCH	
A	1.55	1.73	.061	.068
A1	0.127	0.25	.004	.0098
B	0.35	0.49	.014	.019
C	0.19	0.25	.0075	.0098
D	9.80	9.98	.386	.393
E	3.81	3.99	.150	.157
e	1.27	BSC	.050	BSC
H	5.84	6.20	.230	.244
h	0.25	0.41	.010	.016
L	0.41	0.89	.016	.035
N	16		16	
a	0°		8°	

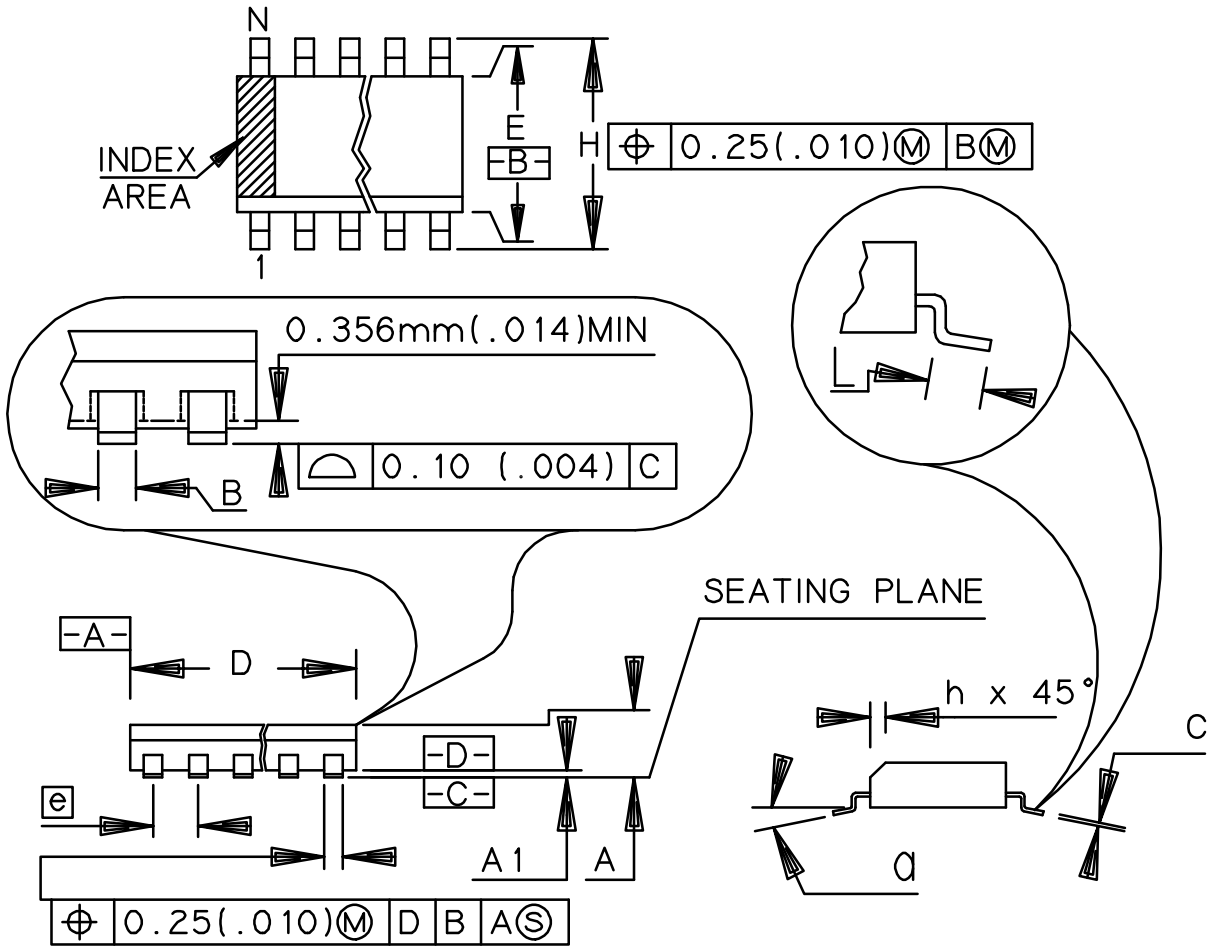
16 PINS SO .300



$\text{M} \text{ } 0.25 (.010) \text{ } \text{M} \text{ } \text{D} \text{ } \text{B} \text{ } \text{A} \text{ } \text{S}$

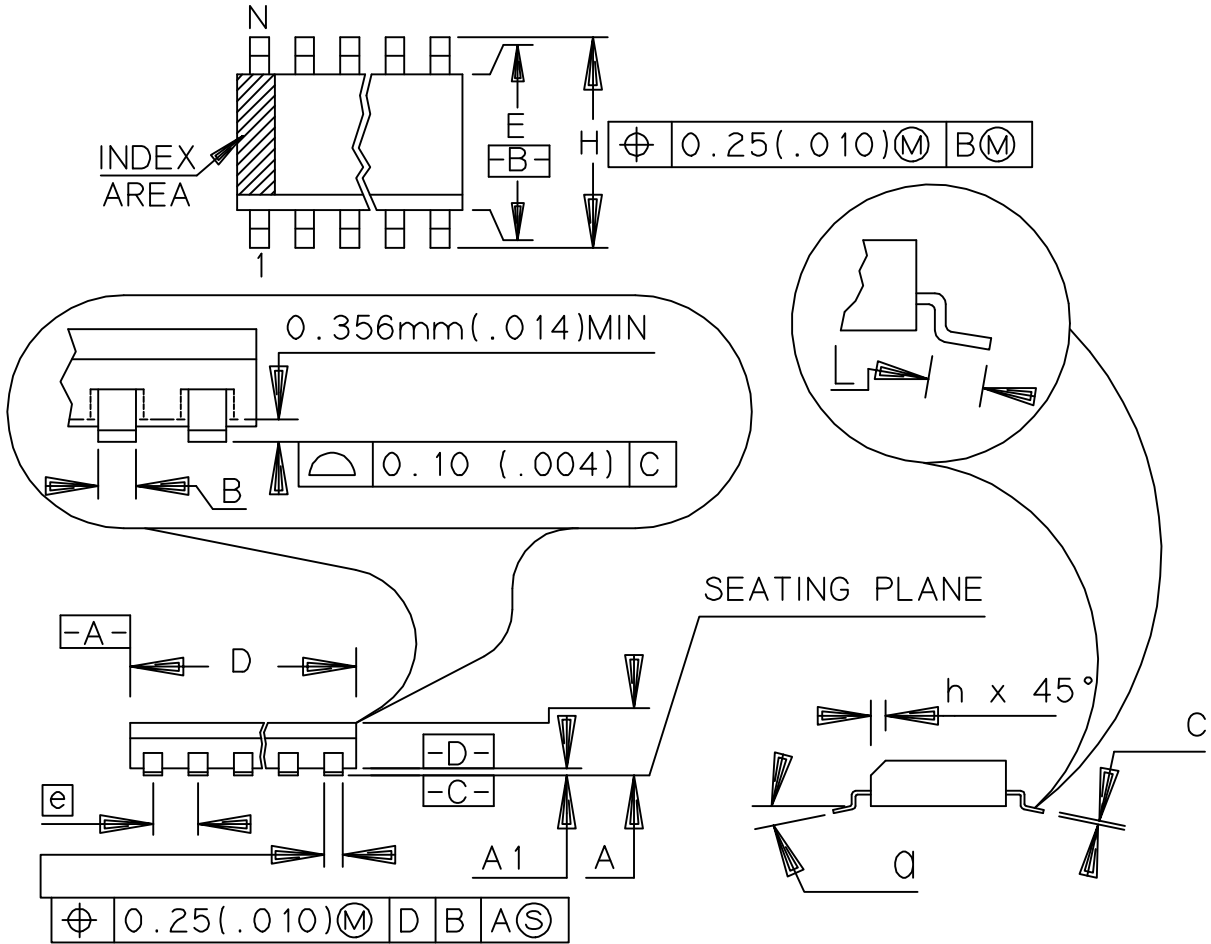
	MM		INCH	
A	2.35	2.65	.093	.104
A1	0.10	0.30	.004	.012
B	0.35	0.49	.014	.019
C	0.23	0.32	.009	.013
D	10.10	10.50	.398	.413
E	7.40	7.60	.291	.299
e	1.27	BSC	.050	BSC
H	10.00	10.65	.394	.419
h	0.25	0.75	.010	.029
L	0.40	1.27	.016	.050
N	16		16	
a	0°		8°	

18 PINS SO .300



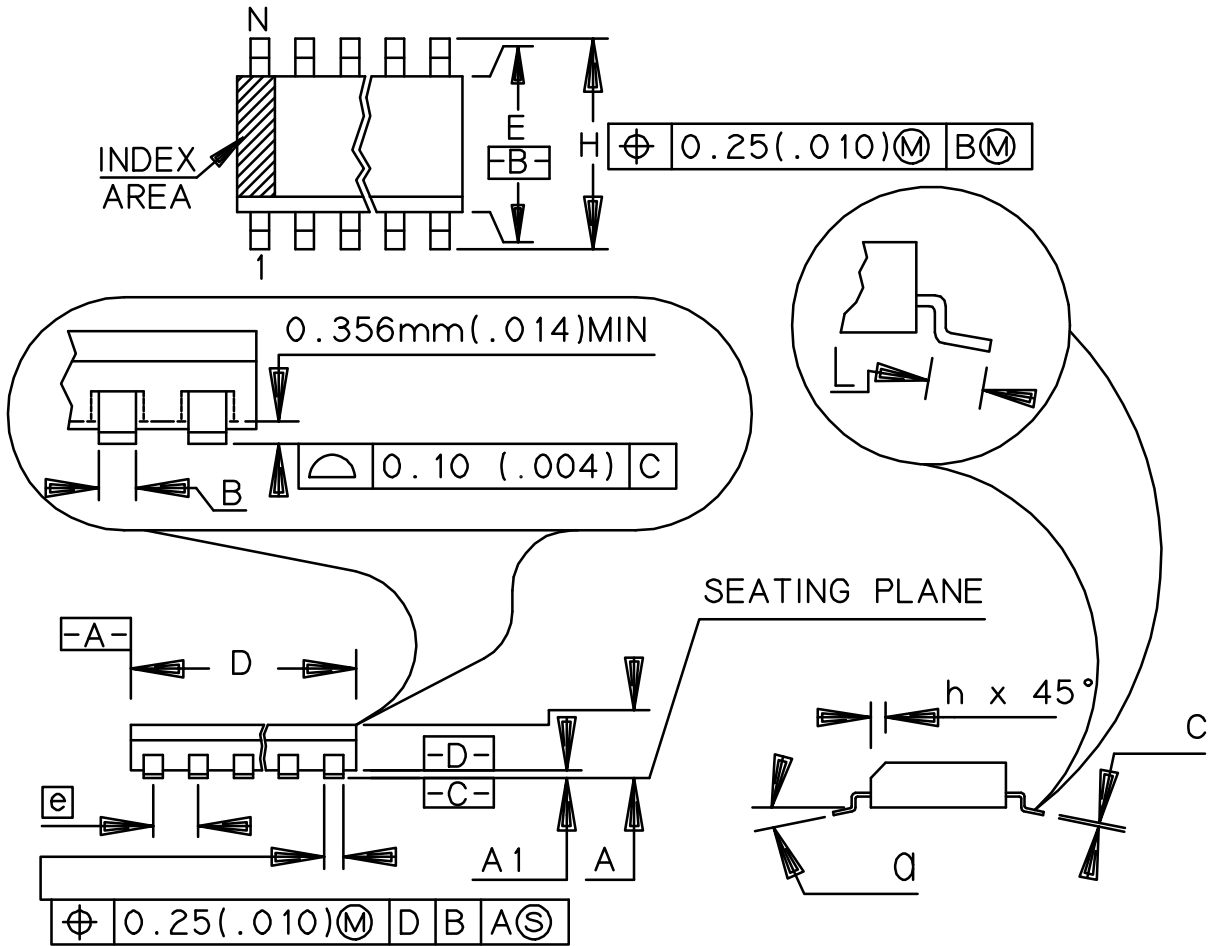
	MM		INCH	
A	2.35	2.65	.093	.104
A1	0.10	0.30	.004	.012
B	0.35	0.49	.014	.019
C	0.23	0.32	.009	.013
D	11.35	11.75	.447	.463
E	7.40	7.60	.291	.299
e	1.27	BSC	.050	BSC
H	10.00	10.65	.394	.419
h	0.25	0.75	.010	.029
L	0.40	1.27	.016	.050
N	18		18	
a	0° - 8°		0° - 8°	

20 PINS SO .300



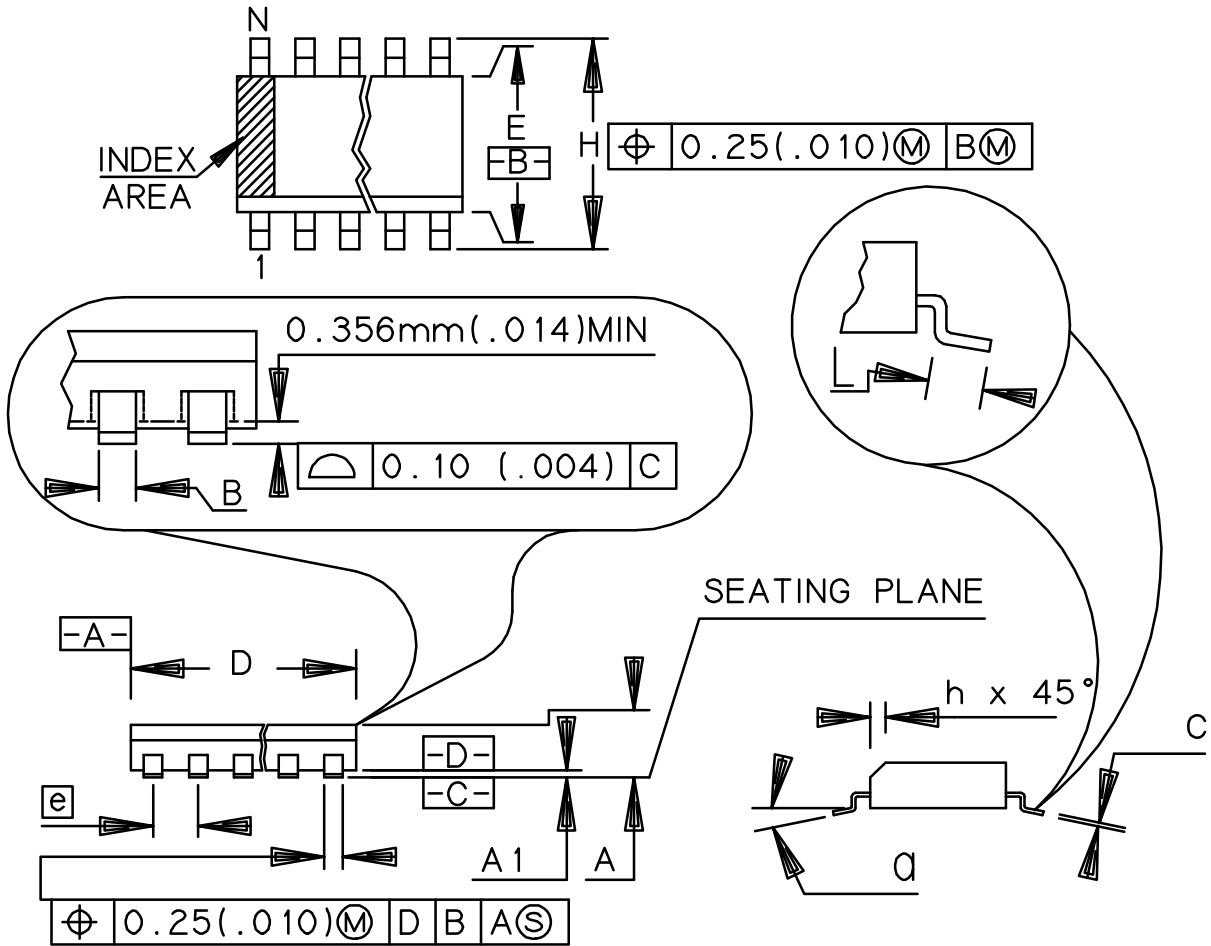
	MM		INCH	
A	2.35	2.65	.093	.104
A1	0.10	0.30	.004	.012
B	0.35	0.49	.014	.019
C	0.23	0.32	.009	.013
D	12.60	13.00	.496	.512
E	7.40	7.60	.291	.299
e	1.27	BSC	.050	BSC
H	10.00	10.65	.394	.419
h	0.25	0.75	.010	.029
L	0.40	1.27	.016	.050
N	20		20	
a	0°		8°	

24 PINS SO .300



	MM		INCH	
A	2.35	2.65	.093	.104
A1	0.10	0.30	.004	.012
B	0.35	0.49	.014	.019
C	0.23	0.32	.009	.013
D	15.20	15.60	.599	.614
E	7.40	7.60	.291	.299
e	1.27	BSC	.050	BSC
H	10.00	10.65	.394	.419
h	0.25	0.75	.010	.029
L	0.40	1.27	.016	.050
N	24		24	
a	0°		8°	

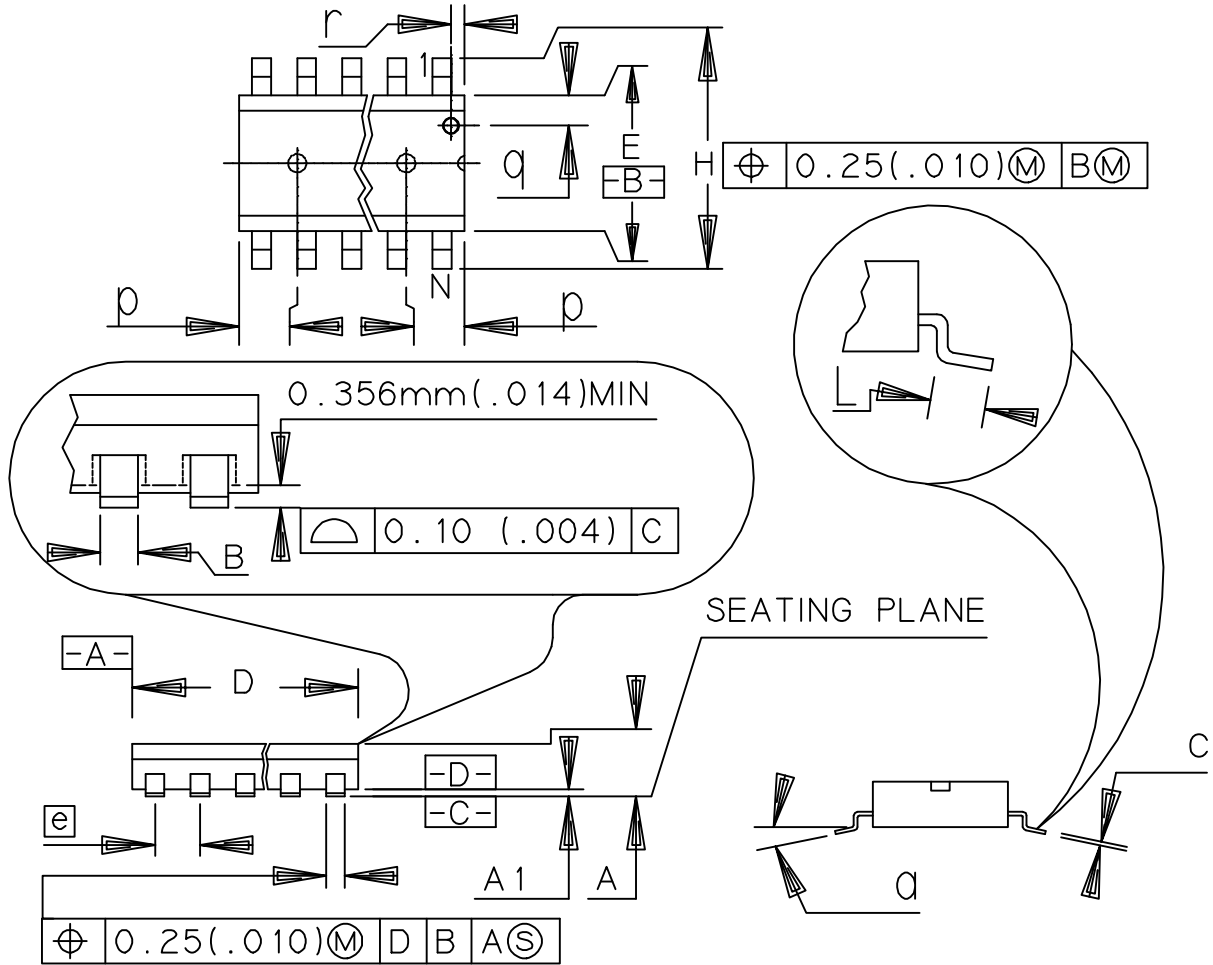
28 PINS SO .300



Φ 0.25 (.010) (M) D B A (S)

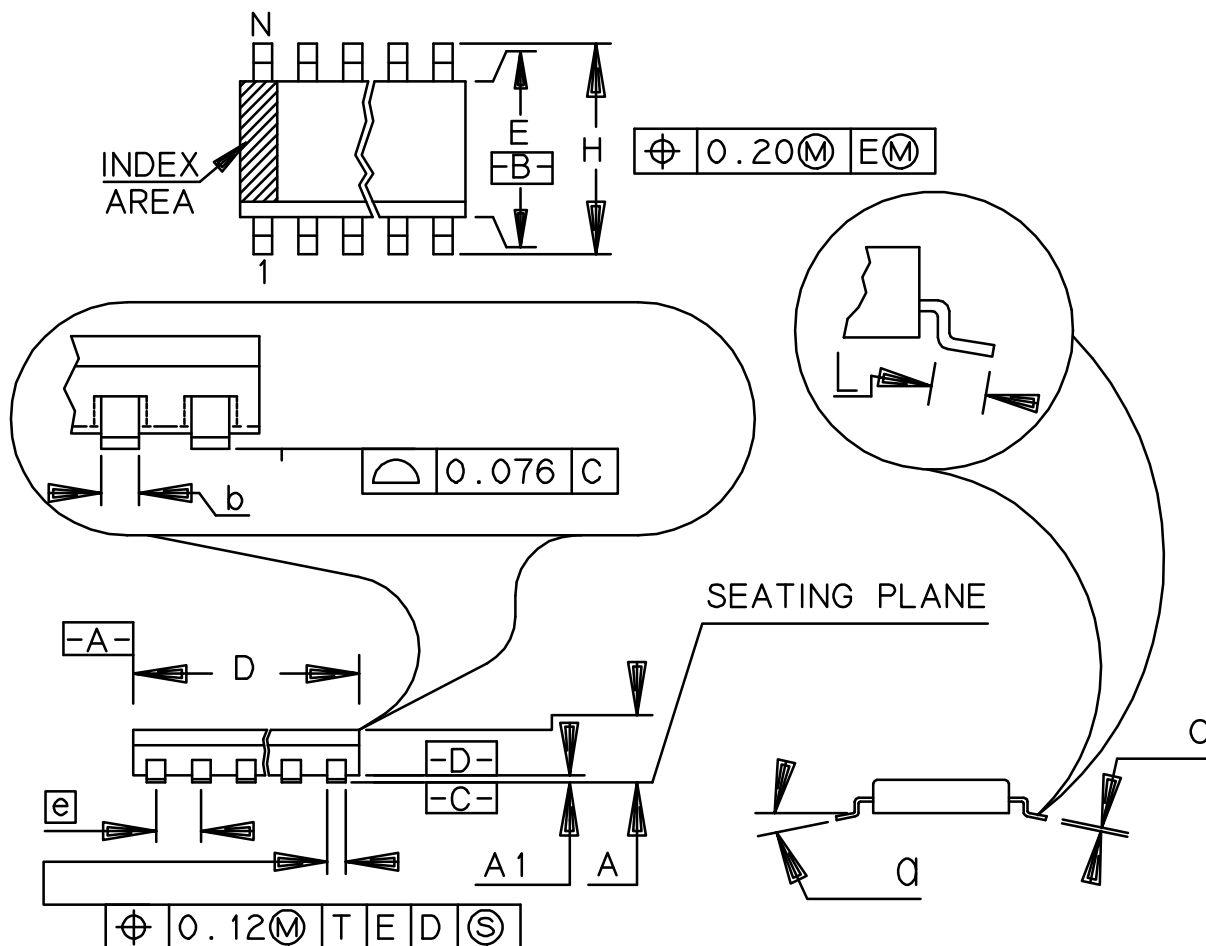
	MM		INCH	
A	2.35	2.65	.093	.104
A1	0.10	0.30	.004	.012
B	0.35	0.49	.014	.019
C	0.23	0.32	.009	.013
D	17.70	18.10	.697	.713
E	7.40	7.60	.291	.299
e	1.27	BSC	.050	BSC
H	10.00	10.65	.394	.419
h	0.25	0.75	.010	.029
L	0.40	1.27	.016	.050
N	28		28	
a	0°		8°	

28 PINS SO .330 MIL BODY



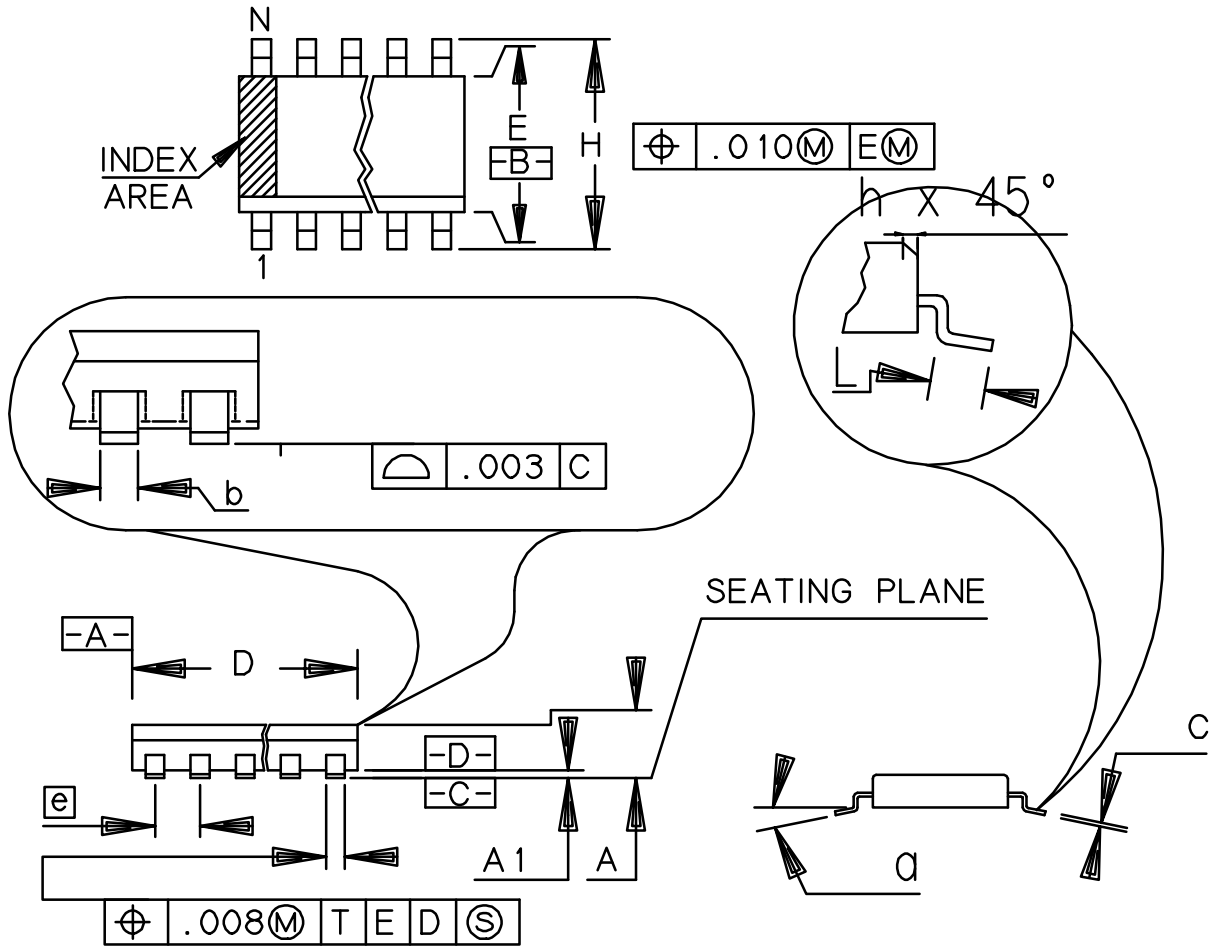
	MM		INCH	
	A	2.39	2.79	.094
A1	0.05	0.35	.002	.014
B	0.35	0.50	.014	.020
c	0.20	0.30	.008	.012
D	18.29	18.49	.720	.728
E	8.58	8.79	.338	.346
e	1.27	TYP	.050	TYP
H	11.68	12.19	.460	.480
L	0.76	1.27	.030	.050
N	28		28	
p	2.54		.100	
q	1.90	DIA	.075	DIA
r	1.78	DIA	.070	DIA
a	0°		8°	

16 PINS SSOP .209



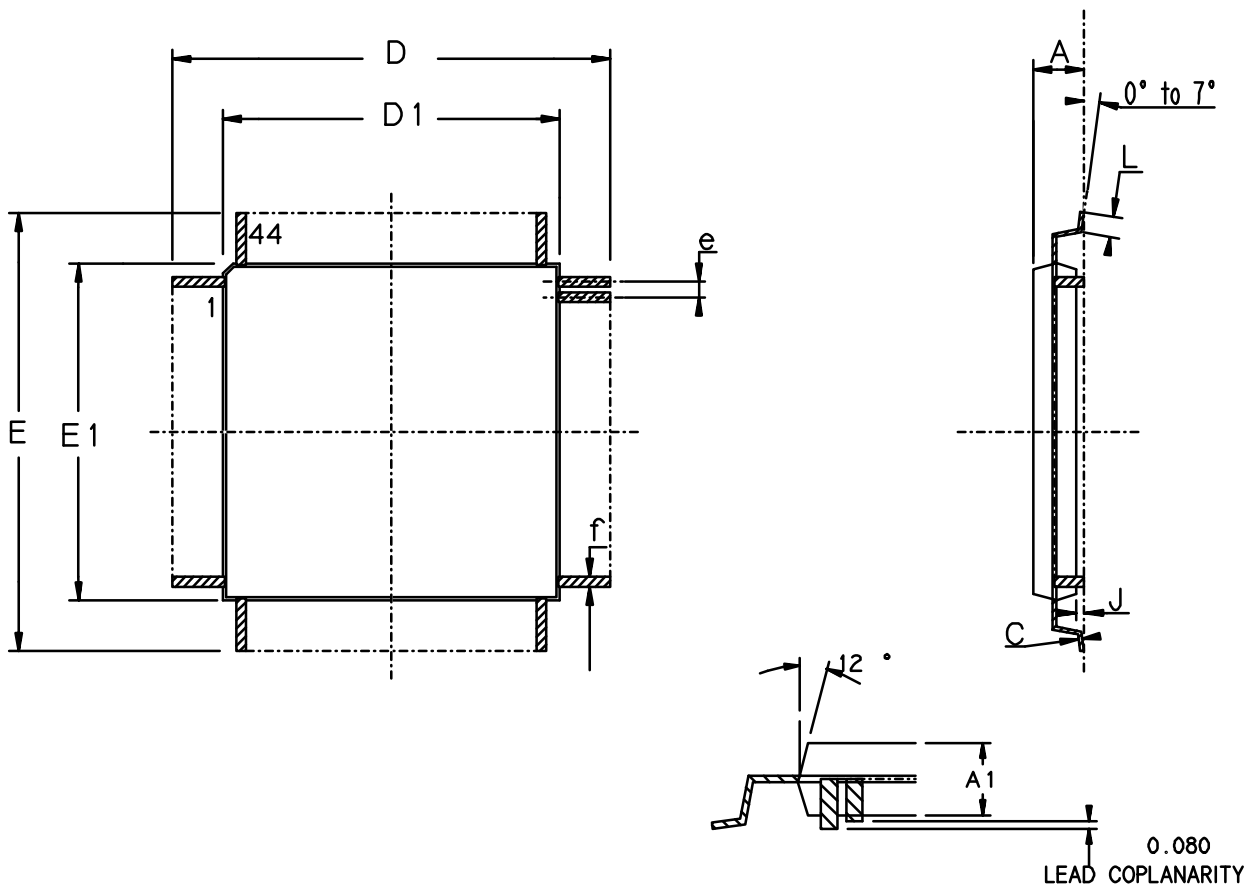
	MM		INCH	
A	1.73	1.95	.068	.078
A1	0.05	0.21	.002	.008
b	0.25	0.38	.010	.015
C	0.09	0.20	.004	.008
D	6.07	6.33	.239	.249
E	5.20	5.38	.205	.212
e	0.65	BSC	.0256	BSC
H	7.65	7.90	.301	.311
L	0.63	0.95	.025	.037
N	16		16	
a	0°		8°	

44 PINS SSOP .293



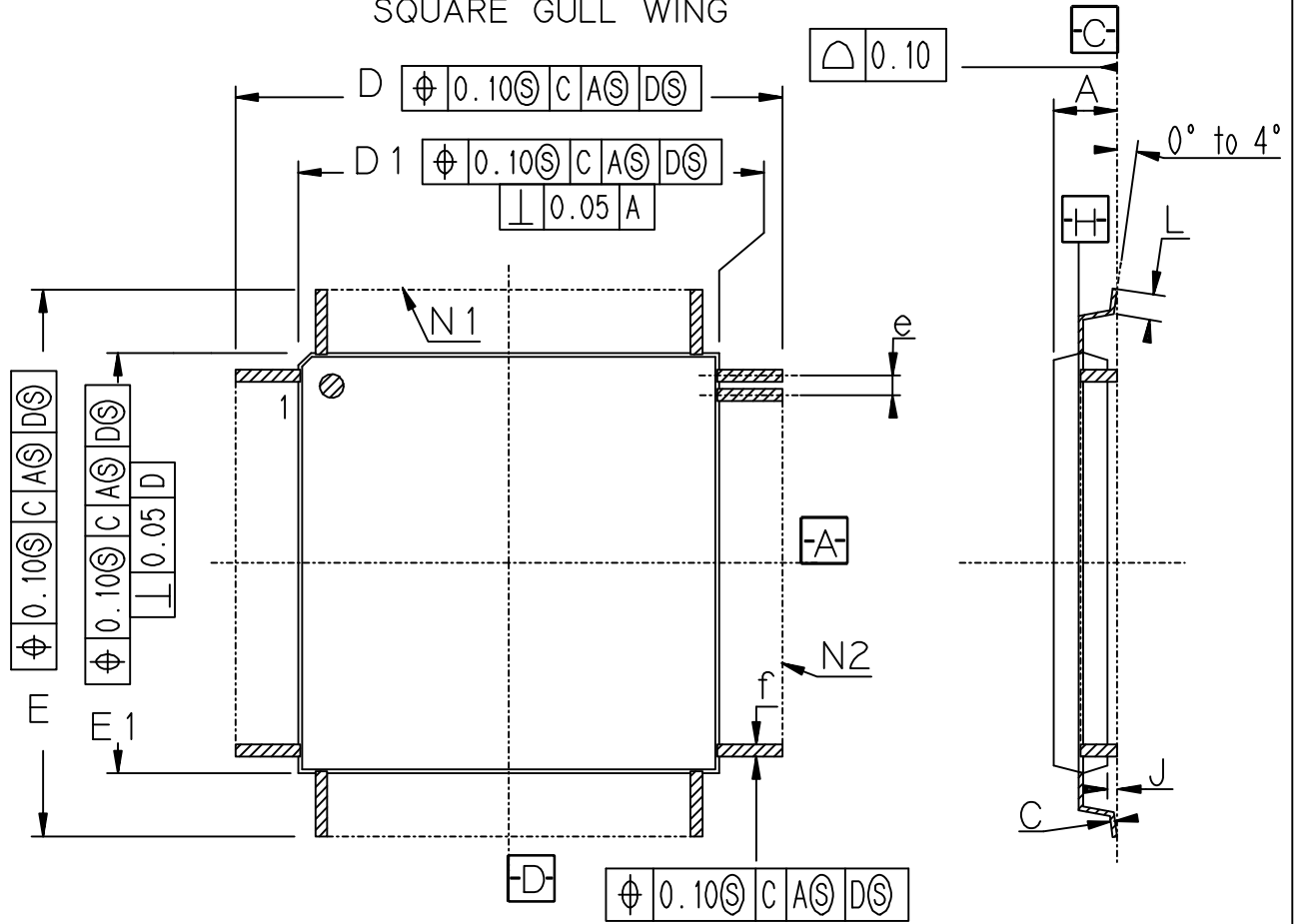
	MM		INCH	
A	2.40	2.64	.094	.104
A1	0.10	0.29	.0039	.0115
b	0.25	0.43	.010	.017
C	0.230	0.32	.0091	.0125
D	17.80	18.06	.700	.711
E	7.30	7.59	.287	.299
e	0.80	BSC	.0315	BSC
H	10.16	10.50	.400	.414
L	0.55	1.02	.021	.040
N	44		44	
a	0°		8°	
h	0.25	0.50	.010	.020

44 PINS THIN QUAD FLAT PACK



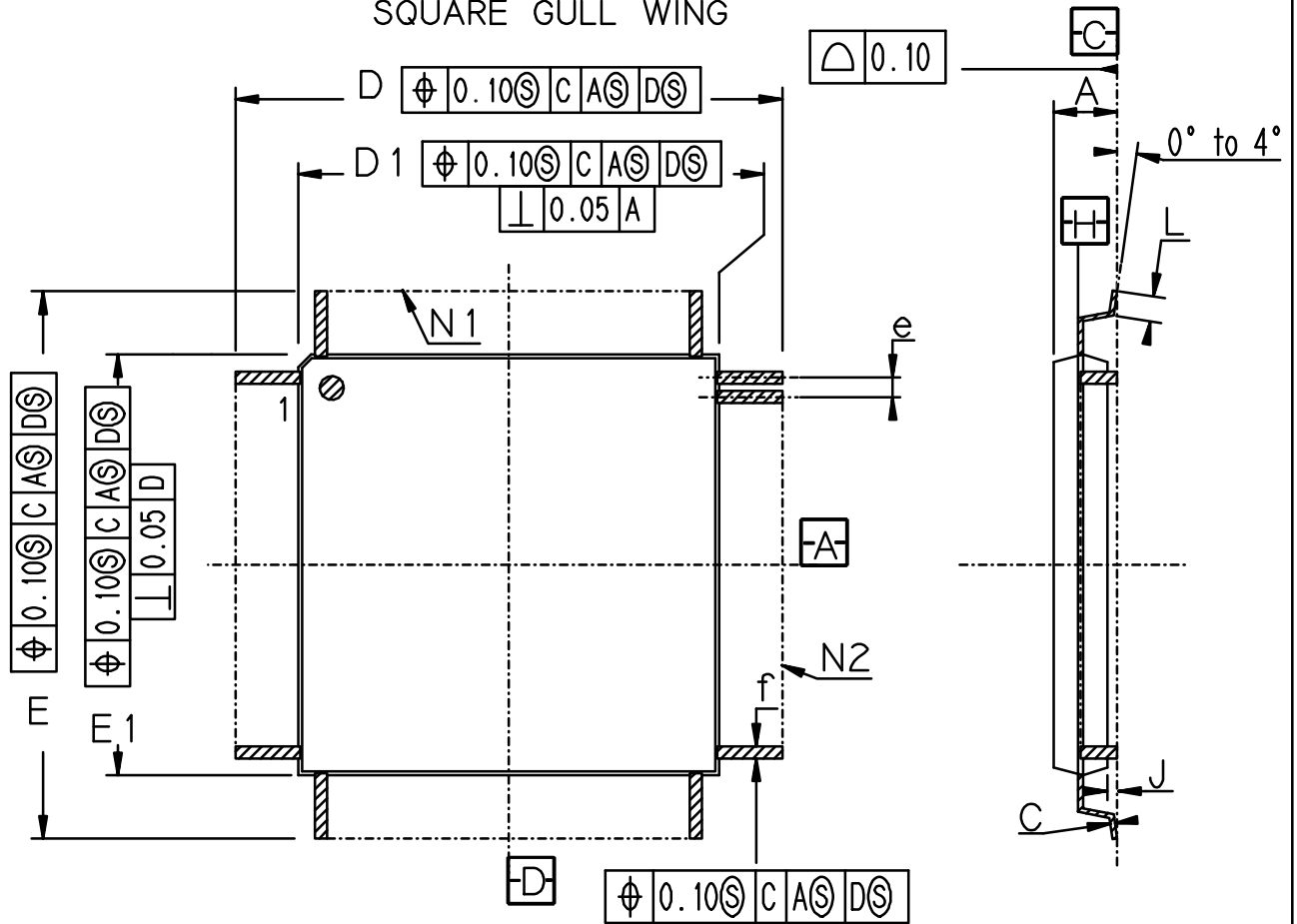
	MM		INCH	
	Min	Max	Min	Max
A	----	1.20	----	.047
A1	0.95	1.05	.037	.041
C	0.09	0.20	.004	.008
D	12.00 BSC		.472 BSC	
D1	10.00 BSC		.394 BSC	
E	12.00 BSC		.472 BSC	
E1	10.00 BSC		.394 BSC	
J	0.05	0.15	.002	.006
L	0.45	0.75	.018	.030
e	0.80 BSC		.0315 BSC	
f	0.30	0.45	.012	.018

44 PINS PLASTIC QUAD FLAT PKG
SQUARE GULL WING



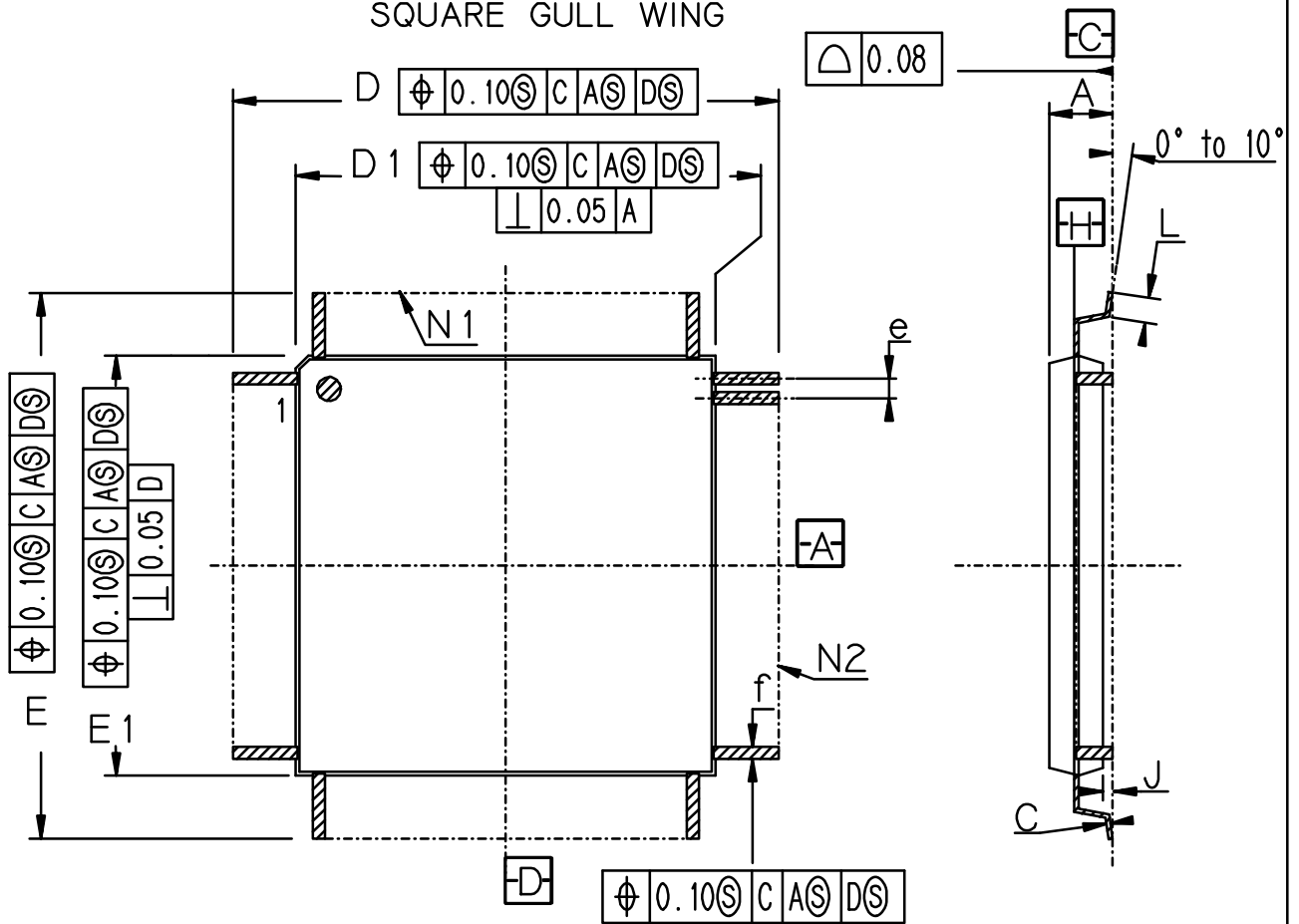
	MM		INCH	
	Min	Max	Min	Max
A	2.08	2.43	.081	.095
C	0.13	0.20	.005	.008
D	13.90	14.30	.547	.563
D1	9.90	10.10	.390	.398
E	13.90	14.30	.547	.563
E1	9.90	10.10	.390	.398
e	0.80 BSC		.0315 BSC	
f	0.30	0.45	.012	.018
J	0.15	0.30	.006	.012
L	0.65	0.95	.026	.037
N1	11		11	
N2	11		11	

44 PINS PLASTIC QUAD FLAT PKG
SQUARE GULL WING



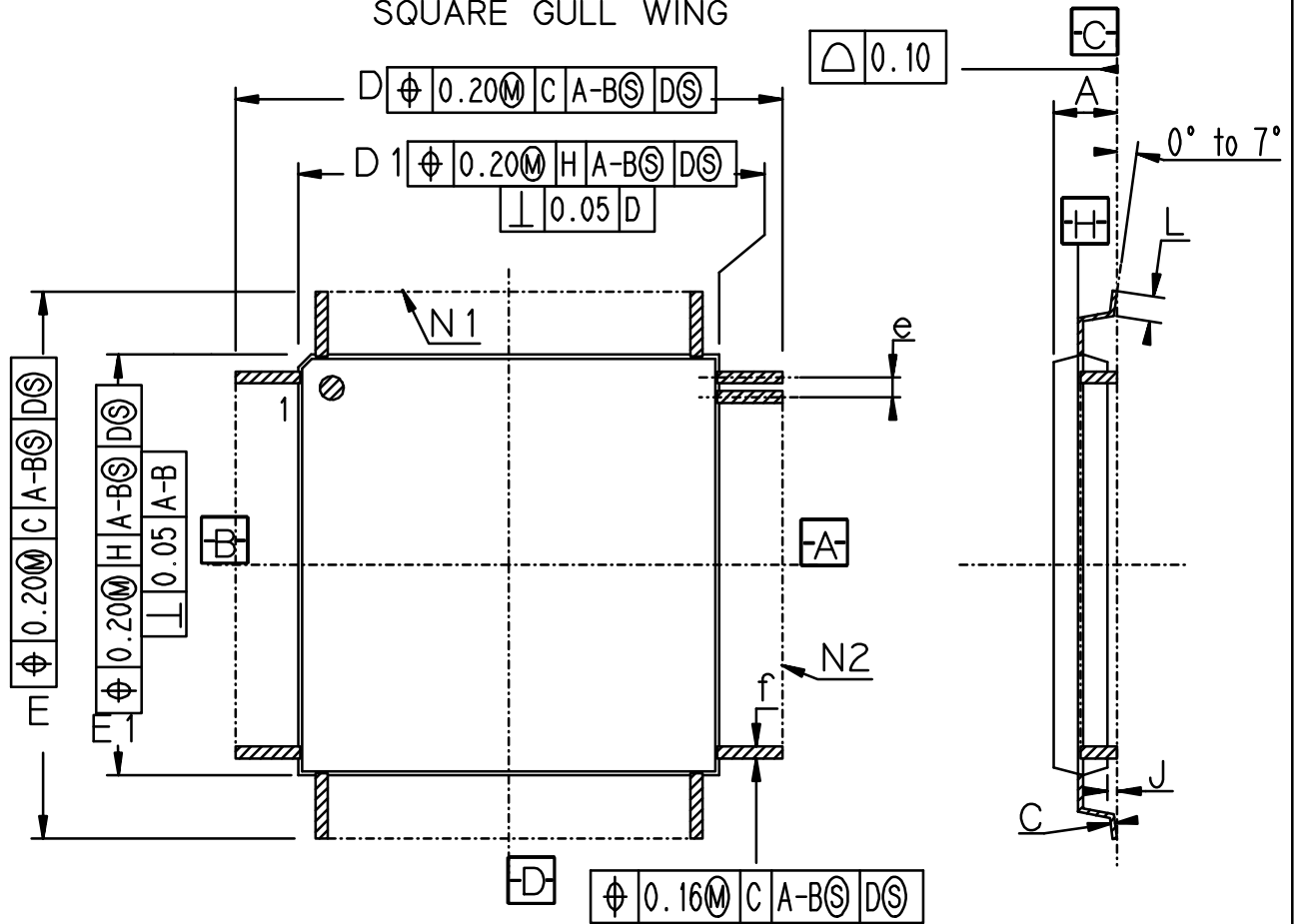
	MM		INCH	
	Min	Max	Min	Max
A	2.00	2.40	.079	.094
C	0.10	0.20	.004	.008
D	13.65	14.15	.537	.557
D1	9.90	10.10	.390	.398
E	13.65	14.15	.537	.557
E1	9.90	10.10	.390	.398
e	0.80 BSC		.0315 BSC	
f	0.20	0.40	.008	.016
J	0.00	0.30	.000	.012
L	0.65	0.95	.025	.037
N1	11		11	
N2	11		11	

44 PINS PLASTIC QUAD FLAT PKG
SQUARE GULL WING



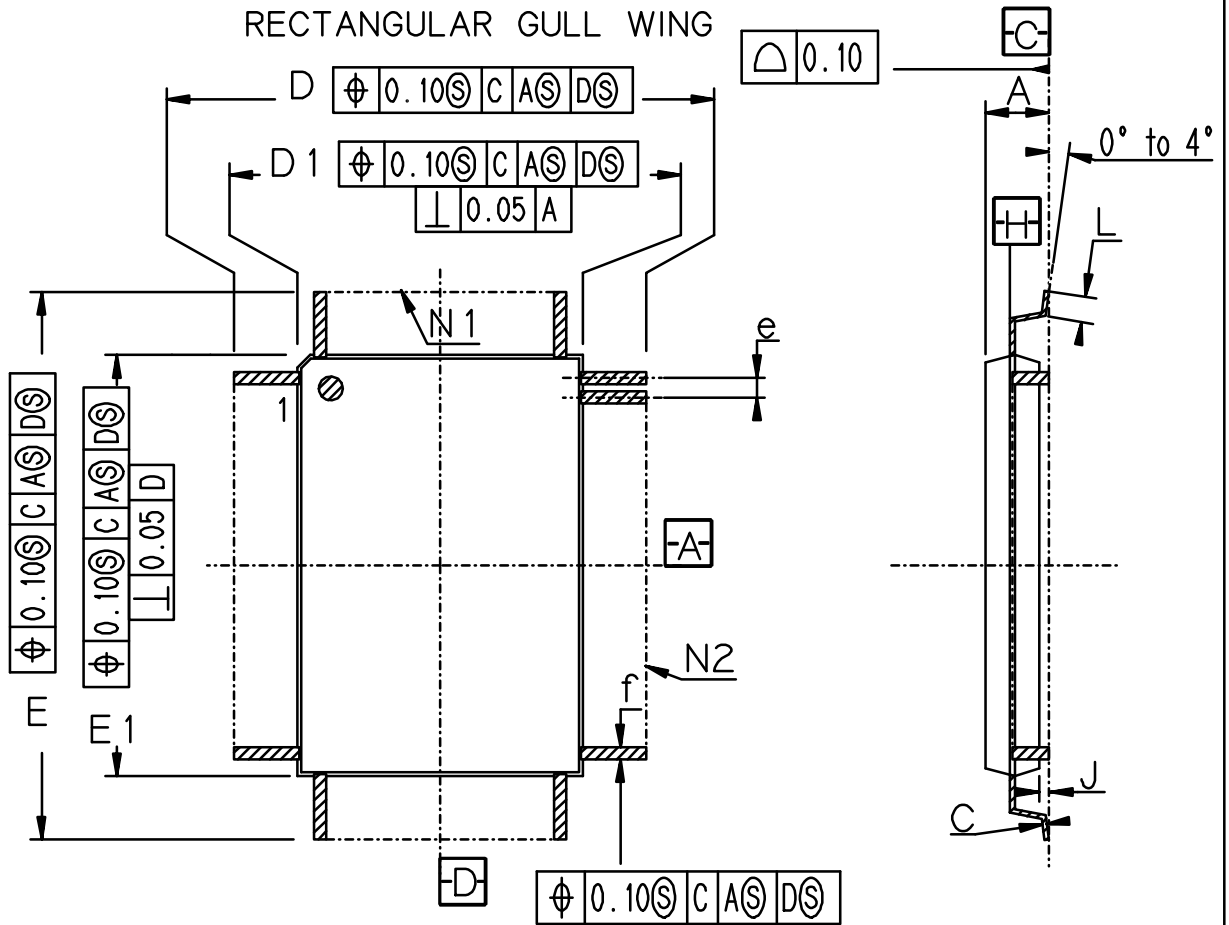
	MM		INCH	
	Min	Max	Min	Max
A	1.90	2.40	.075	.095
C	0.10	0.20	.004	.008
D	12.10	12.50	.476	.492
D1	9.90	10.10	.390	.398
E	12.10	12.50	.476	.492
E1	9.90	10.10	.390	.398
e	0.80 BSC		.0315 BSC	
f	0.25	0.45	.010	.018
J	0.00	0.20	.000	.008
L	0.35	0.65	.014	.026
N1	11		11	
N2	11		11	

64 PINS PLASTIC QUAD FLAT PKG
SQUARE GULL WING



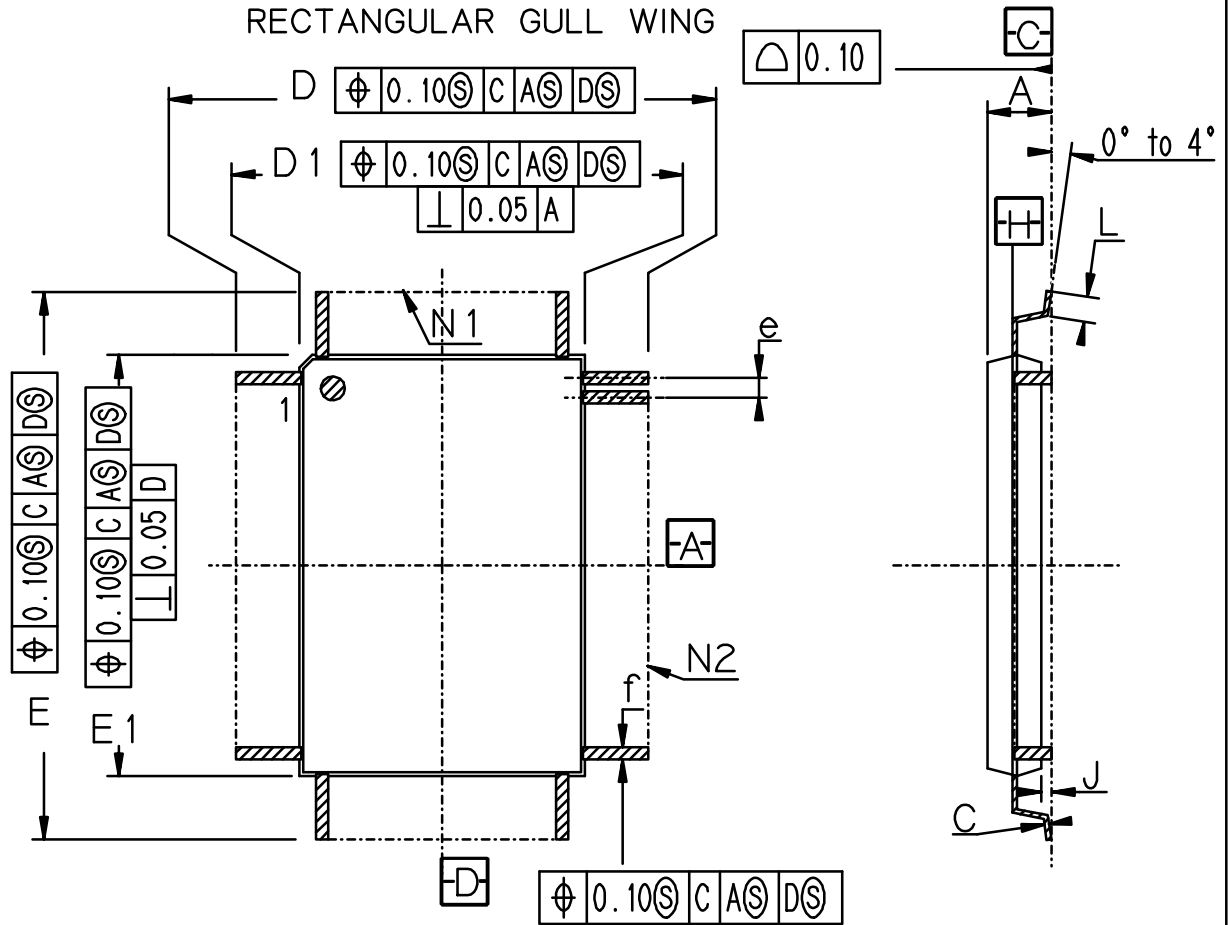
	MM		INCH	
	Min	Max	Min	Max
A	2.65	3.00	.104	.118
C	0.13	0.23	.005	.009
D	16.95	17.45	.667	.687
D1	13.95	14.05	.549	.553
E	16.95	17.45	.667	.687
E1	13.95	14.05	.549	.553
e	0.80 BSC		.0315 BSC	
f	0.30	0.45	.012	.018
J	0.10	0.25	.004	.010
L	0.65	0.95	.026	.037
N1	16		16	
N2	16		16	

80 PINS PLASTIC QUAD FLAT PKG
RECTANGULAR GULL WING



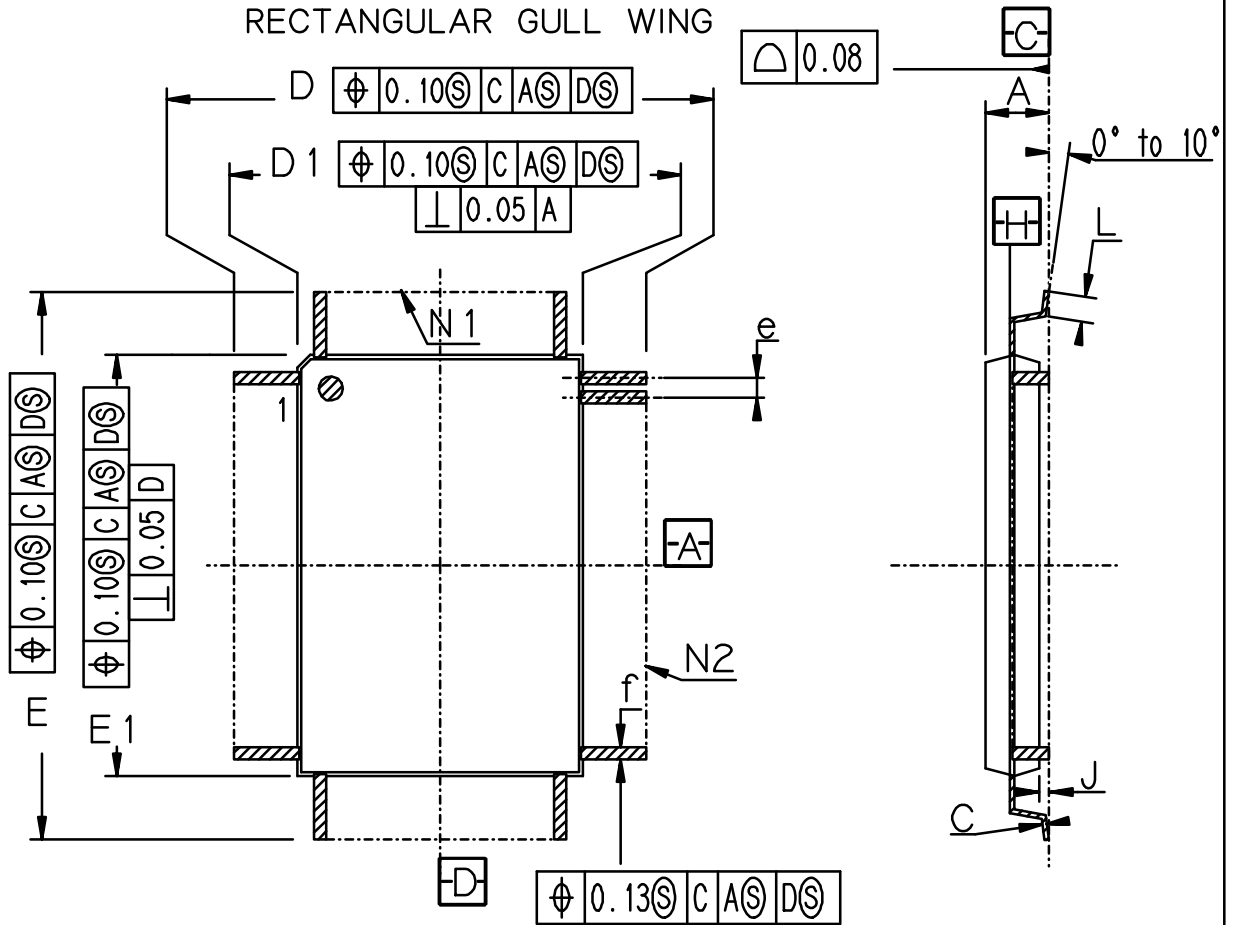
	MM		INCH	
	Min	Max	Min	Max
A	2.75	3.18	.108	.125
C	0.15	0.20	.006	.008
D	17.65	18.15	.695	.714
D1	13.90	14.10	.547	.555
E	23.65	24.15	.931	.951
E1	19.90	20.10	.783	.791
e	0.80 BSC		.0315 BSC	
f	0.30	0.45	.012	.018
J	0.15	0.38	.006	.015
L	0.73	1.03	.029	.041
N1	16		16	
N2	24		24	

100 PINS PLASTIC QUAD FLAT PKG
RECTANGULAR GULL WING



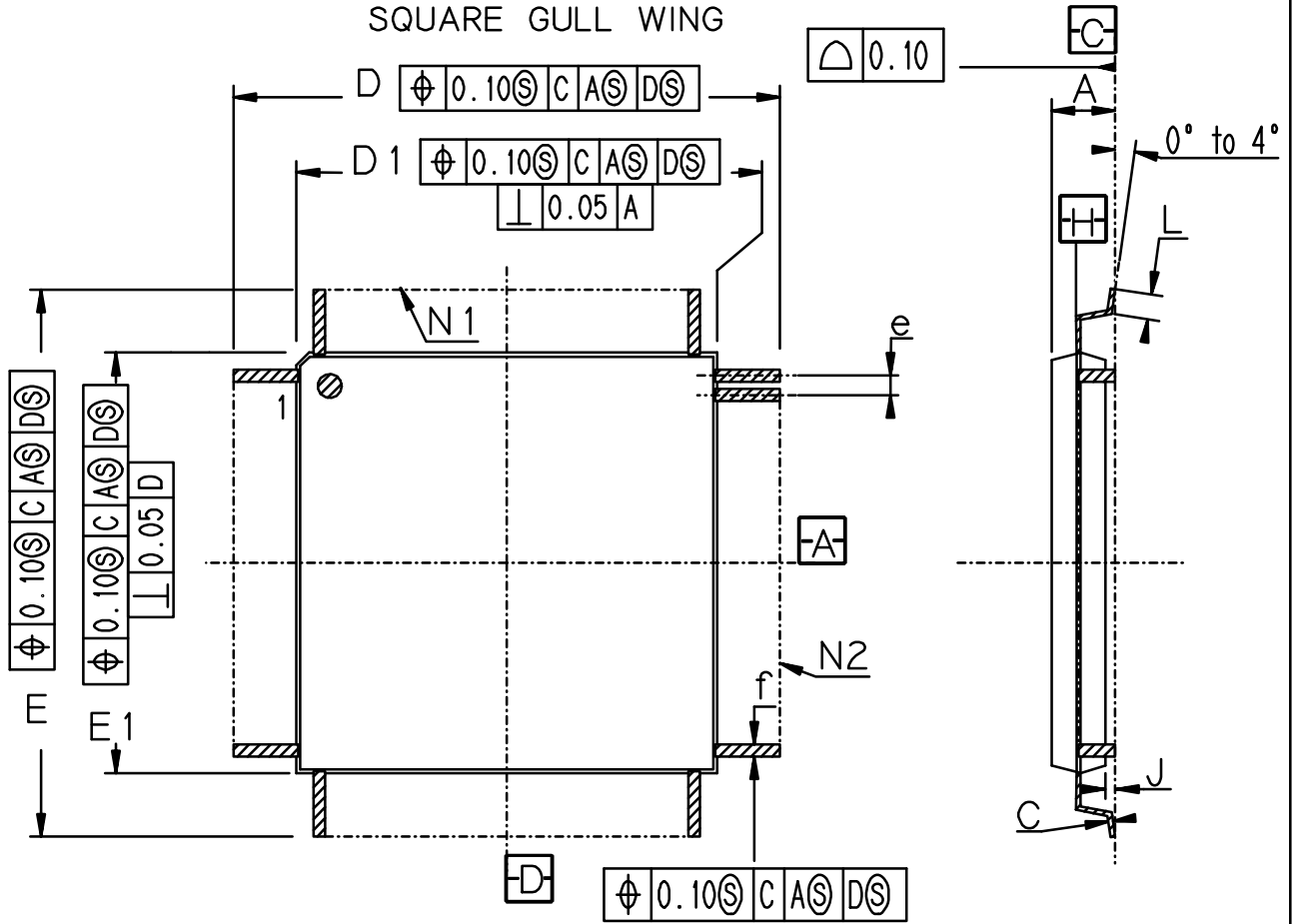
	MM		INCH	
	Min	Max	Min	Max
A	2.75	3.40	.108	.134
C	0.15	0.20	.006	.008
D	17.65	18.15	.695	.715
D1	13.90	14.10	.547	.555
E	23.65	24.15	.931	.951
E1	19.90	20.10	.783	.791
e	0.65 BSC		.0256 BSC	
f	0.22	0.35	.009	.014
J	0.15	----	.006	----
L	0.65	0.95	.025	.038
N1	20		20	
N2	30		30	

100 PINS PLASTIC QUAD FLAT PKG
RECTANGULAR GULL WING



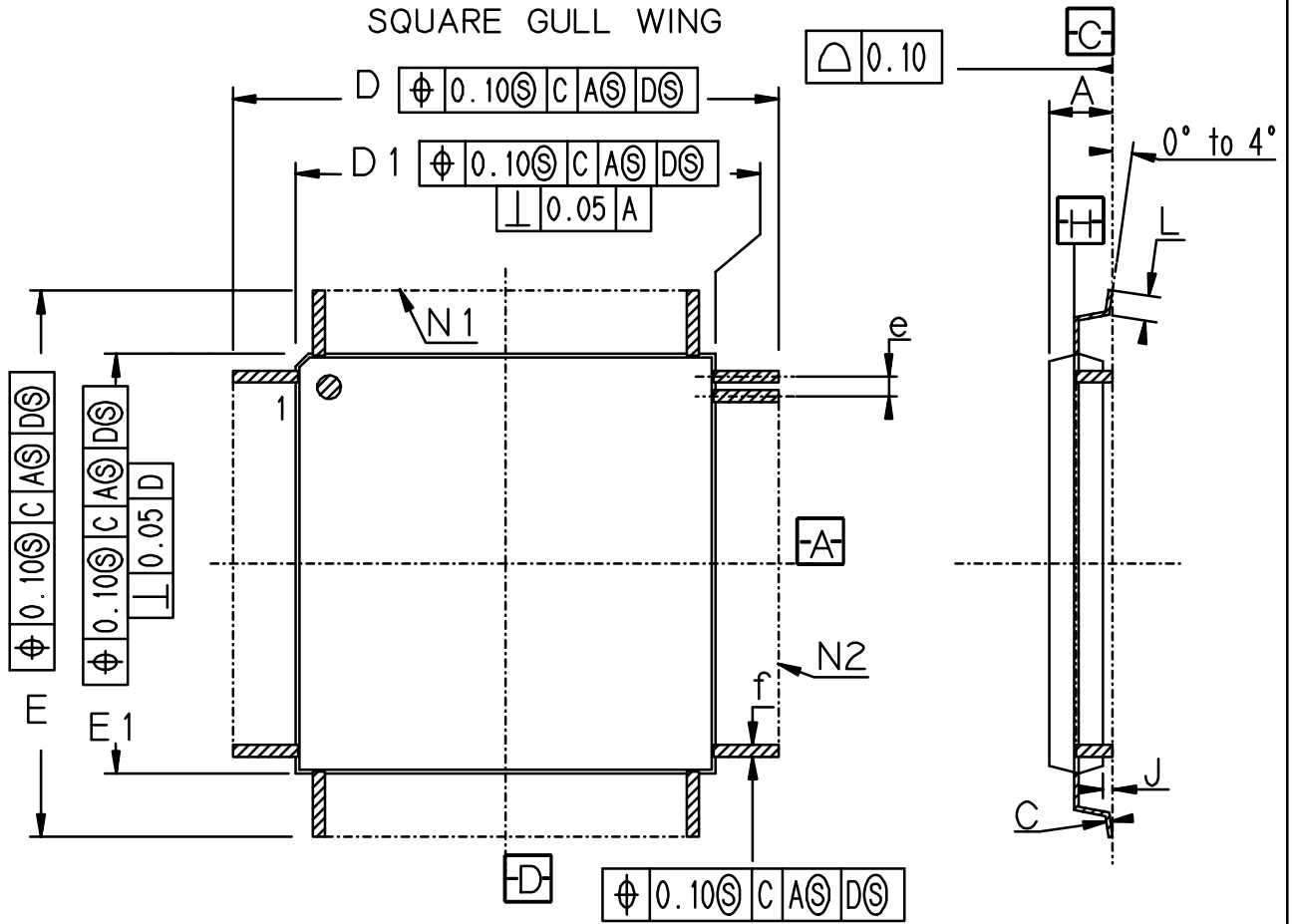
	Min	MM	Max	Min	INCH	Max
A	2.82		3.32	.111		.131
C	0.10		0.20	.004		.008
D	17.00		17.40	.669		.685
D1	13.90		14.10	.547		.555
E	23.00		23.40	.905		.921
E1	19.90		20.10	.783		.791
e	0.65 BSC			.0256 BSC		
f	0.20		0.40	.008		.016
J	0.25		0.45	.010		.018
L	0.65		0.95	.025		.037
N1	20			20		
N2	30			30		

128 PINS PLASTIC QUAD FLAT PKG
SQUARE GULL WING



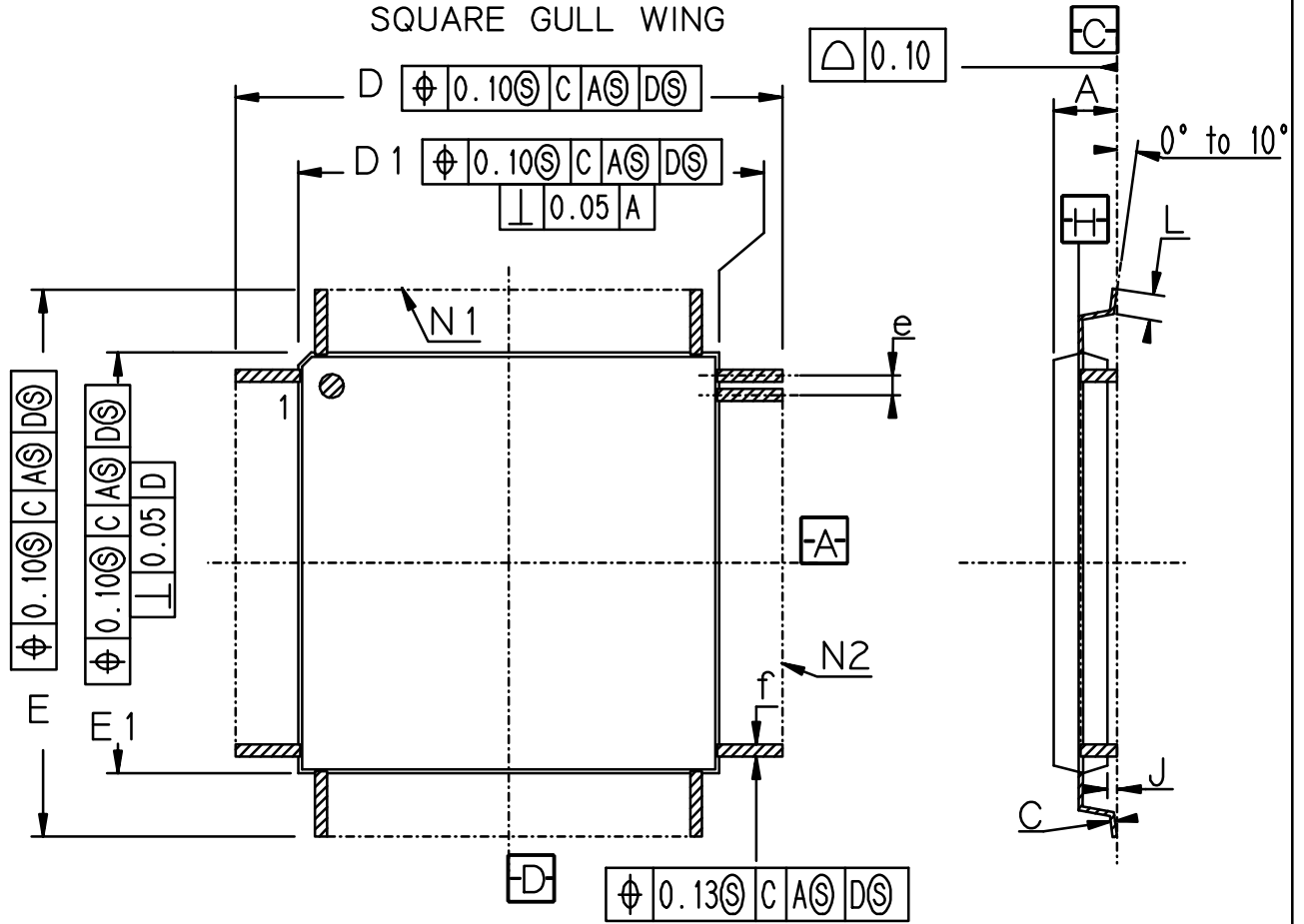
	MM		INCH	
	Min	Max	Min	Max
A	3.68	4.00	.145	.157
C	0.15	0.20	.006	.008
D	31.65	32.15	1.246	1.266
D1	27.90	28.10	1.098	1.106
E	31.65	32.15	1.246	1.266
E1	27.90	28.10	1.098	1.106
e	0.80 BSC		.0315 BSC	
f	0.30	0.45	.012	.018
J	0.25	0.45	.010	.018
L	0.65	0.95	.026	.037
N1	32		32	
N2	32		32	

160 PINS PLASTIC QUAD FLAT PKG
SQUARE GULL WING



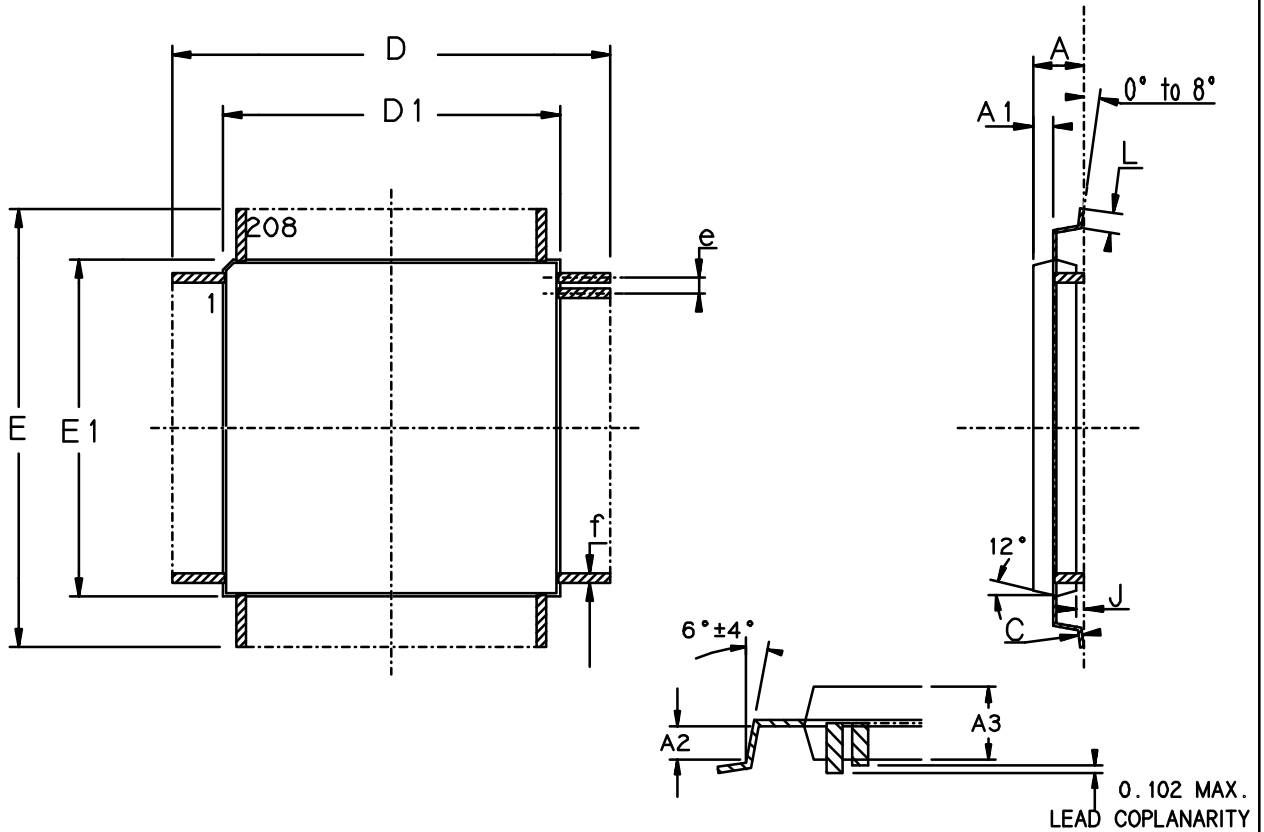
	MM		INCH	
	Min	Max	Min	Max
A	3.68	4.00	.145	.157
C	0.15	0.20	.006	.008
D	31.65	32.15	1.246	1.266
D1	27.90	28.10	1.098	1.106
E	31.65	32.15	1.246	1.266
E1	27.90	28.10	1.098	1.106
e	0.65 BSC		.0256 BSC	
f	0.22	0.35	.009	.014
J	0.25	0.45	.010	.018
L	0.65	0.95	.026	.037
N1	40		40	
N2	40		40	

160 PINS PLASTIC QUAD FLAT PKG
SQUARE GULL WING



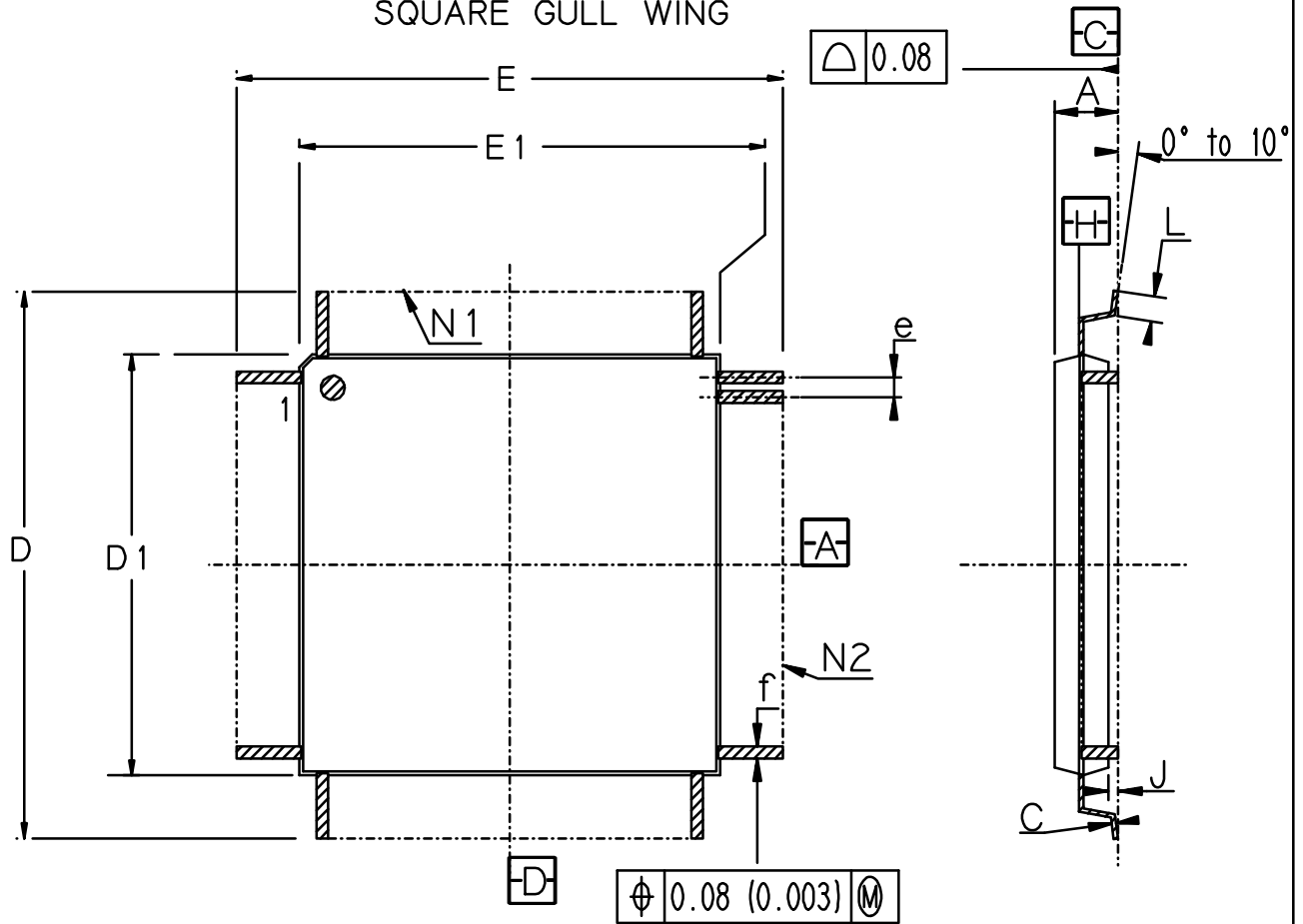
	MM		INCH	
	Min	Max	Min	Max
A	3.22	3.97	.127	.157
C	0.10	0.20	.004	.008
D	30.95	31.45	1.218	1.238
D1	27.90	28.10	1.098	1.106
E	30.95	31.45	1.218	1.238
E1	27.90	28.10	1.098	1.106
e	0.65 BSC		.0256 BSC	
f	0.20	0.40	.008	.016
J	0.04	0.50	.002	.020
L	0.65	0.95	.026	.037
N1	40		40	
N2	40		40	

208 PINS PLASTIC QUAD FLAT PACK
SQUARE GULL WING



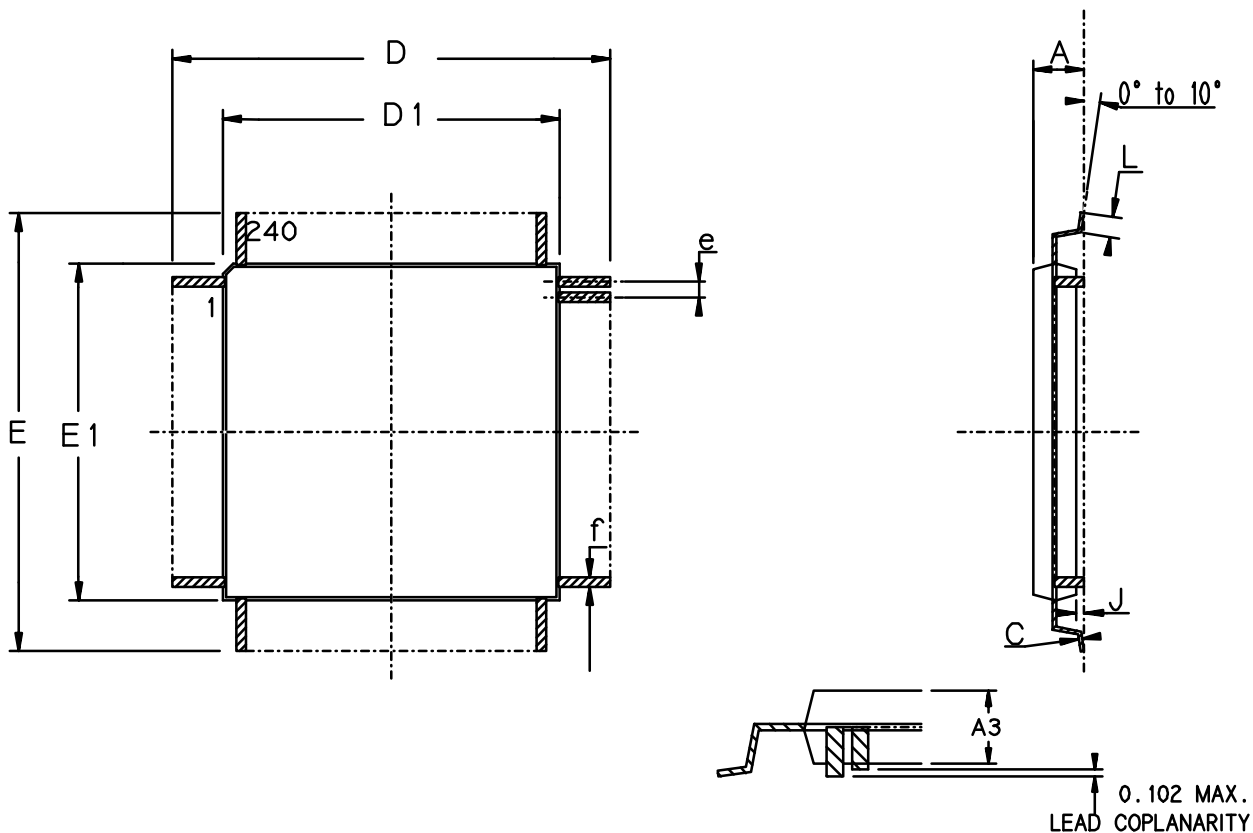
	MM		INCH	
	Min	Max	Min	Max
A	3.52	4.07	.139	.160
A1	1.57	1.77	.062	.070
A2	1.57	1.77	.062	.070
A3	3.24	3.74	.127	.147
D	30.95	31.45	1.218	1.238
D1	27.90	28.10	1.098	1.106
E	30.95	31.45	1.218	1.238
E1	27.90	28.10	1.098	1.106
J	0.05	0.5	.002	.02
L	0.65	0.95	.026	.037
e	0.50 BSC		.0197 BSC	
f	0.10	0.30	.004	.012
E	30.95	31.45	1.218	1.238

208 PINS PLASTIC QUAD FLAT PKG
SQUARE GULL WING



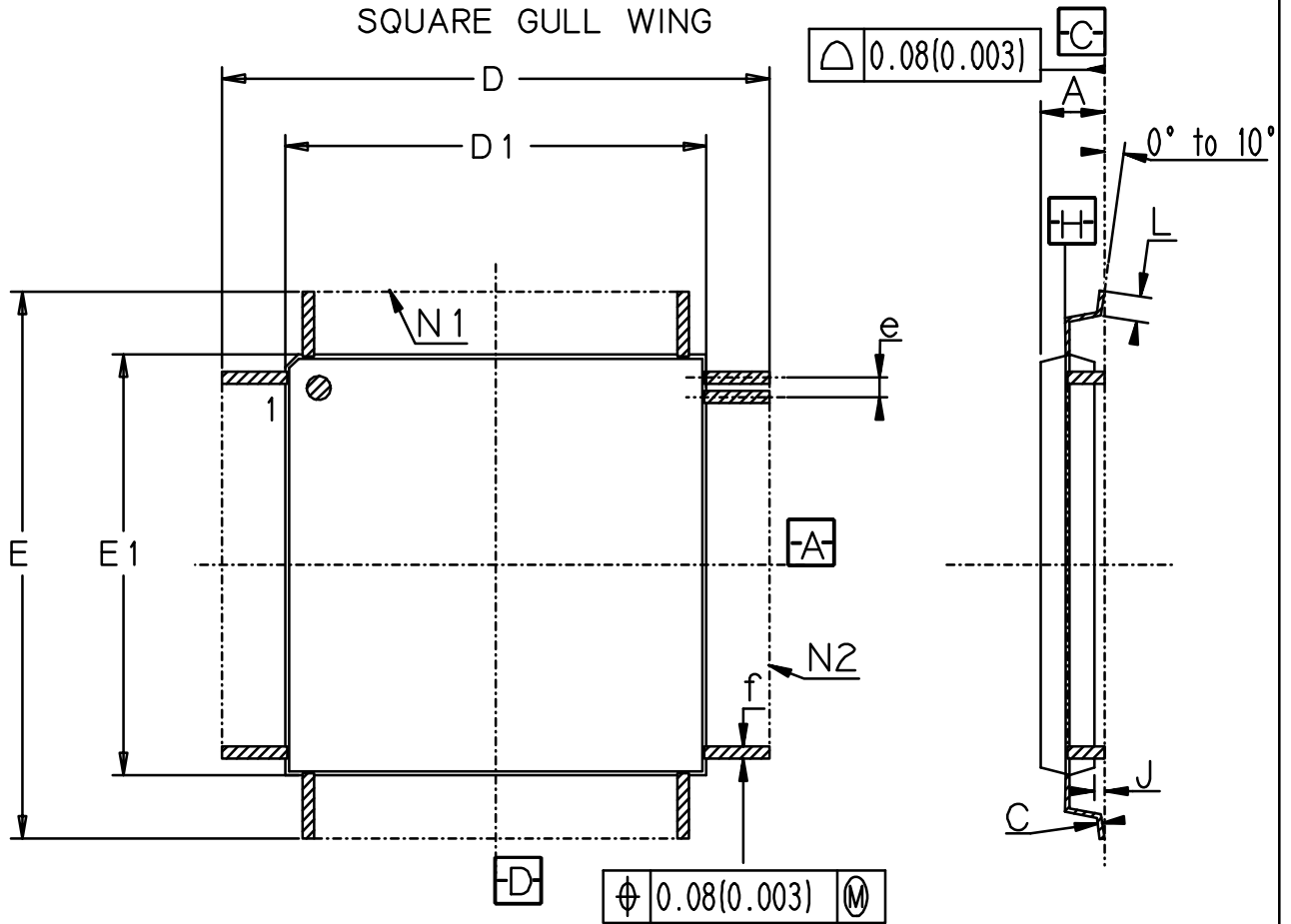
	MM		INCH	
	Min	Max	Min	Max
A	3.22	3.97	.127	.157
C	0.10	0.20	.004	.008
D	30.35	30.85	1.195	1.215
D1	27.90	28.10	1.098	1.106
E	30.35	30.85	1.195	1.215
E1	27.90	28.10	1.098	1.106
e	0.50 BSC		.020 BSC	
f	0.10	0.30	.004	.012
J	0.05	0.50	.002	.020
L	0.45	0.75	.018	.030
N1	52		52	
N2	52		52	

240 PINS PLASTIC QUAD FLAT PACK
SQUARE GULL WING



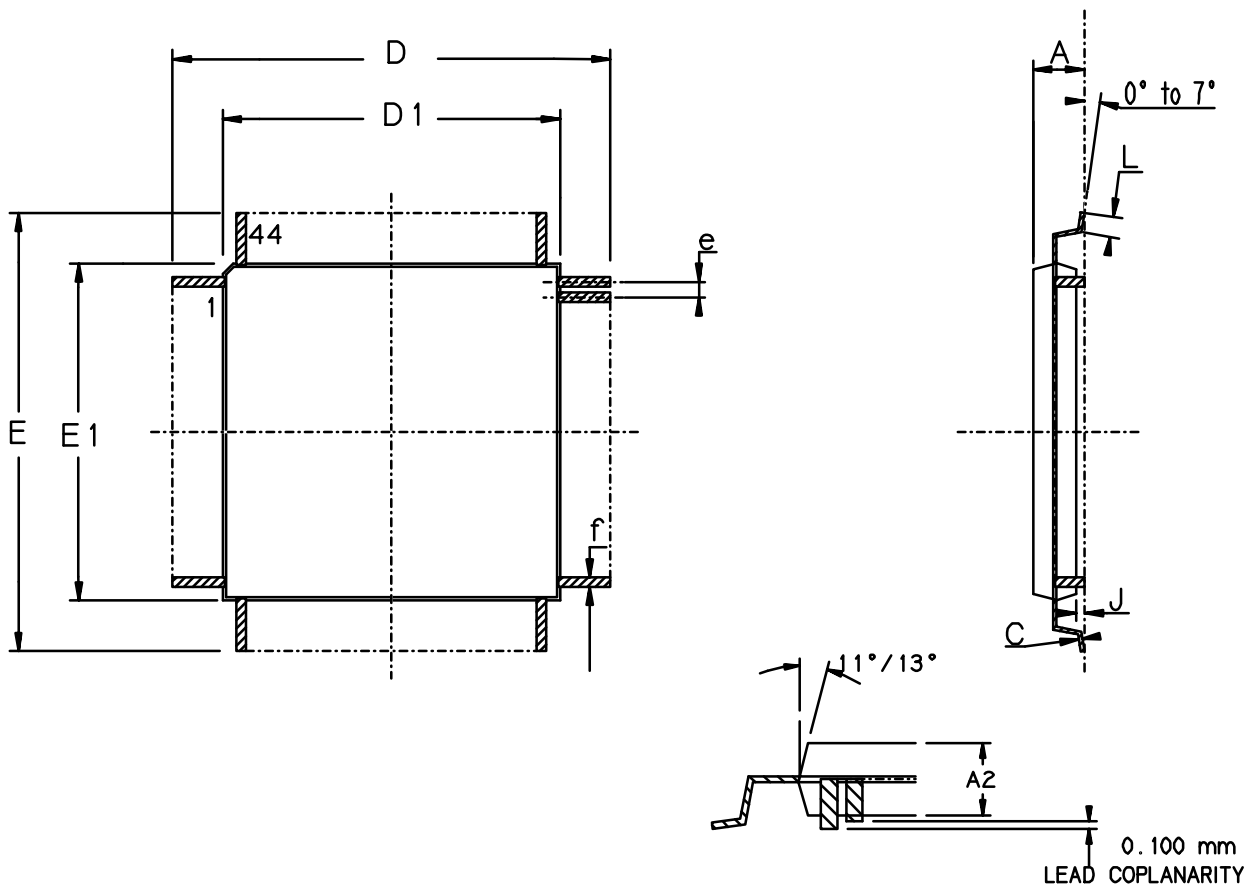
	MM		INCH	
	Min	Max	Min	Max
A	3.42	3.92	.135	.155
A3	3.17	3.47	.125	.137
D	34.35	34.85	1.352	1.372
D1	31.90	32.10	1.256	1.264
E	34.35	34.85	1.352	1.372
E1	31.90	32.10	1.256	1.264
J	0.25	0.45	.010	.018
L	0.65	0.95	.026	.037
e	0.50 BSC		.0197 BSC	
f	0.10	0.30	.004	.012

304 PINS PLASTIC QUAD FLAT PKG
SQUARE GULL WING



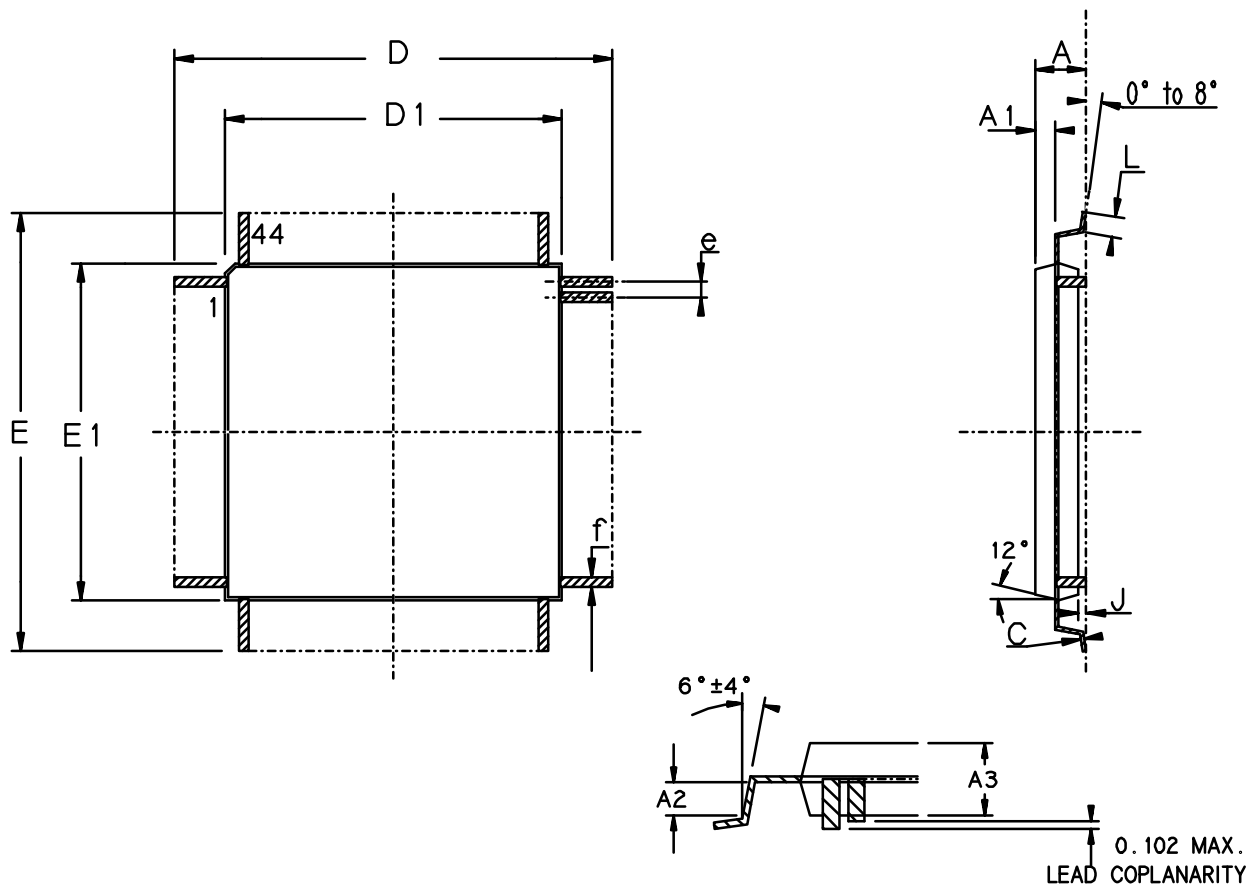
	MM		INCH	
	Min	Max	Min	Max
A	3.95	4.45	.156	.175
C	0.10	0.20	.004	.008
D	42.35	42.85	1.667	1.687
D1	39.90	40.10	1.571	1.579
E	42.35	42.85	1.667	1.687
E1	39.90	40.10	1.571	1.579
e	0.50 BSC		.020 BSC	
f	0.10	0.30	.004	.012
J	0.25	0.45	.010	.018
L	0.45	0.75	.018	.030
N1	76		76	
N2	76		76	

64 PINS THIN QUAD FLAT PACK



	MM		INCH	
	Min	Max	Min	Max
A	----	1.20	----	.047
A2	0.95	1.05	.037	.041
C	0.09	0.20	.004	.008
D	16.00 BSC		.630 BSC	
D1	14.00 BSC		.551 BSC	
E	16.00 BSC		.630 BSC	
E1	14.00 BSC		.551 BSC	
J	0.05	0.15	.002	.006
L	0.45	0.75	.018	.030
e	0.80 BSC		.0315 BSC	
f	0.30	0.45	.012	.018

44 PINS SHRINK QUAD FLAT PACK
SQUARE GULL WING (1.4 mm)

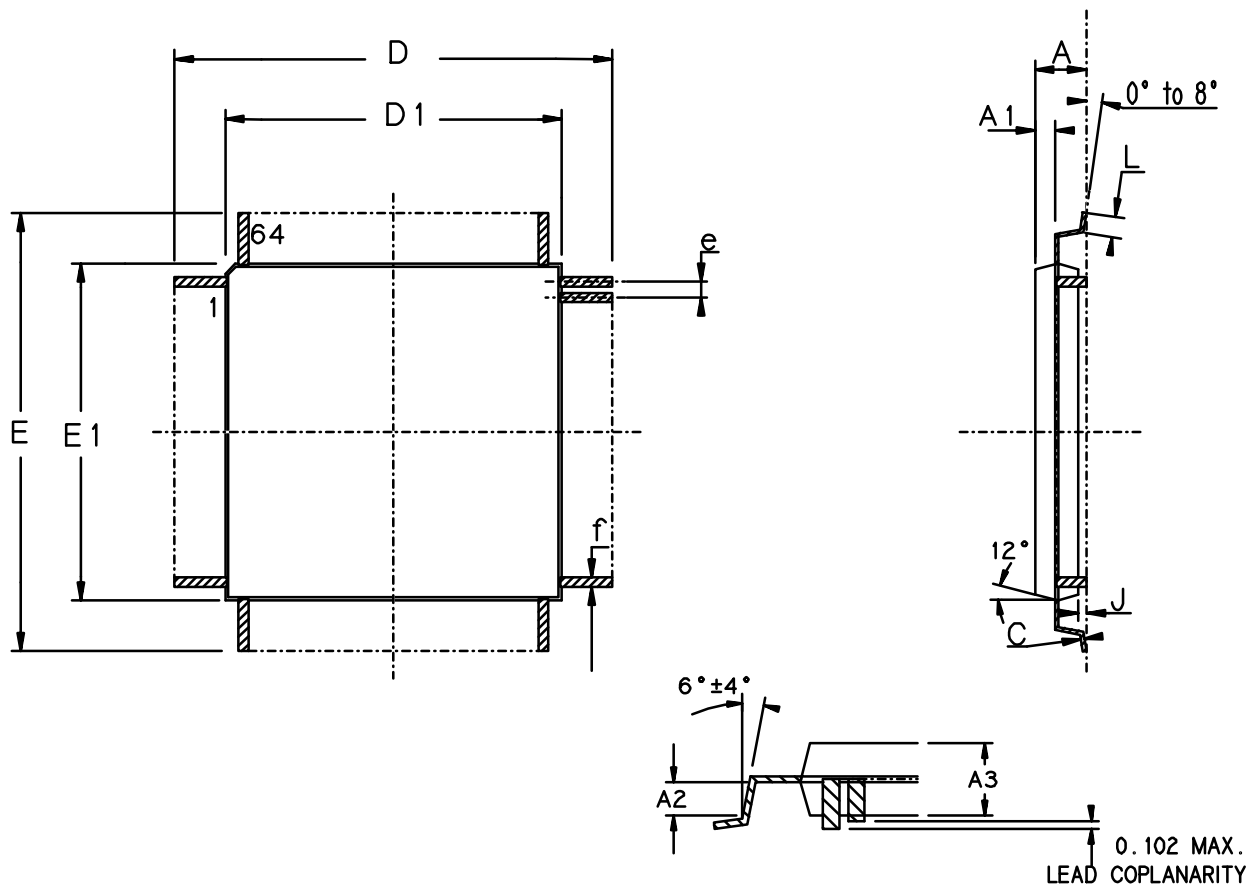


	MM		INCH	
	Min	Max	Min	Max
A	-	1.60	-	.063
A1	0.64 REF		.025 REF	
A2	0.64 REF		.025 REF	
A3	1.35	1.45	.053	.057
D	11.90	12.10	.468	.476
D1	9.90	10.10	.390	.398
E	11.90	12.10	.468	.476
E1	9.90	10.10	.390	.398
J	0.05	-	.002	-
L	0.45	0.75	.018	.030
e	0.80 BSC		.0315 BSC	
f	0.35 BSC		.014 BSC	

CODE : RL

REV : B DATE : 02-03-95

64 PINS SHRINK QUAD FLAT PACK
SQUARE GULL WING (1.4 mm)

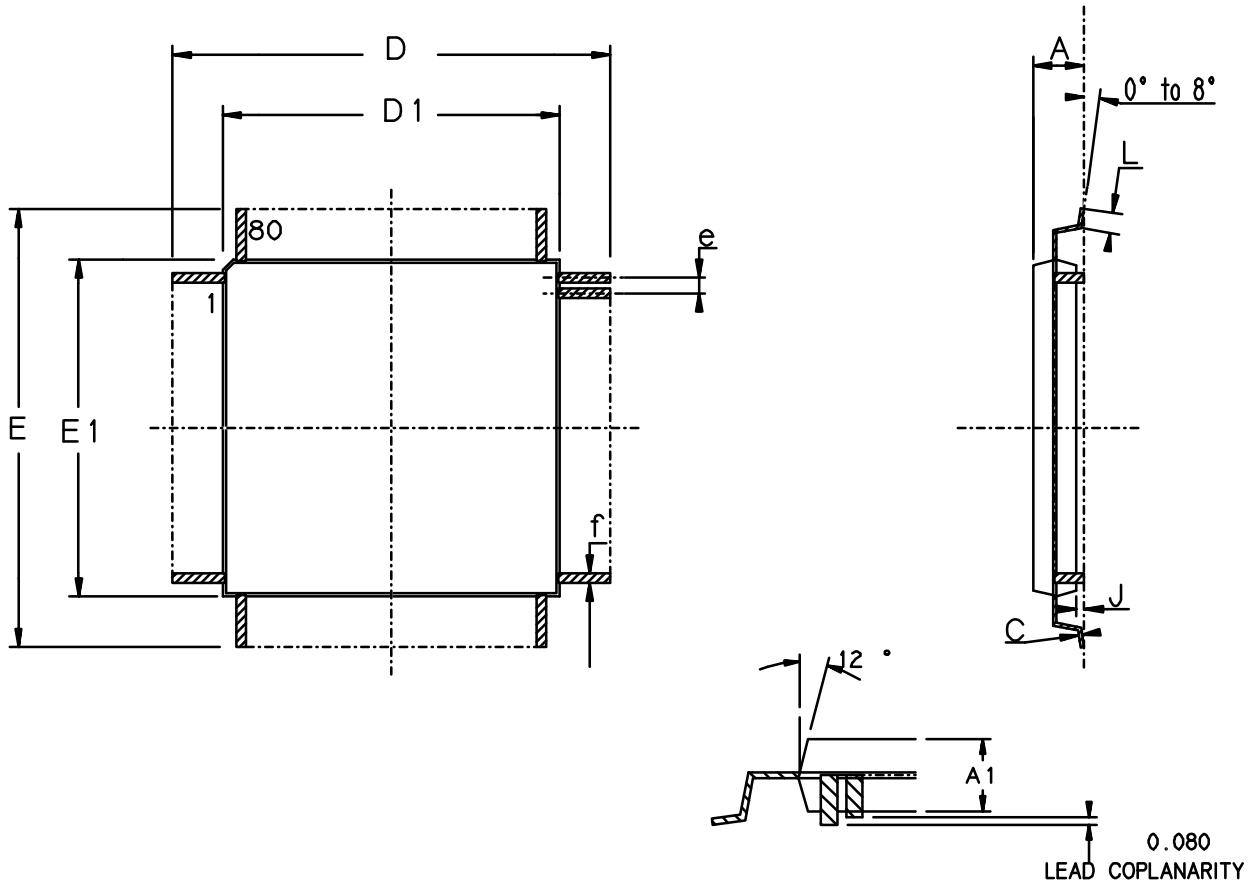


	MM		INCH	
	Min	Max	Min	Max
A	-	1.60	-	.063
A1	0.64 REF		.025 REF	
A2	0.64 REF		.025 REF	
A3	1.35	1.45	.053	.057
D	11.75	12.25	.463	.483
D1	9.90	10.10	.390	.398
E	11.75	12.25	.463	.483
E1	9.90	10.10	.390	.398
J	0.05	-	.002	-
L	0.45	0.75	.018	.030
e	0.50 BSC		.0197 BSC	
f	0.25 BSC		.010 BSC	

CODE : RD

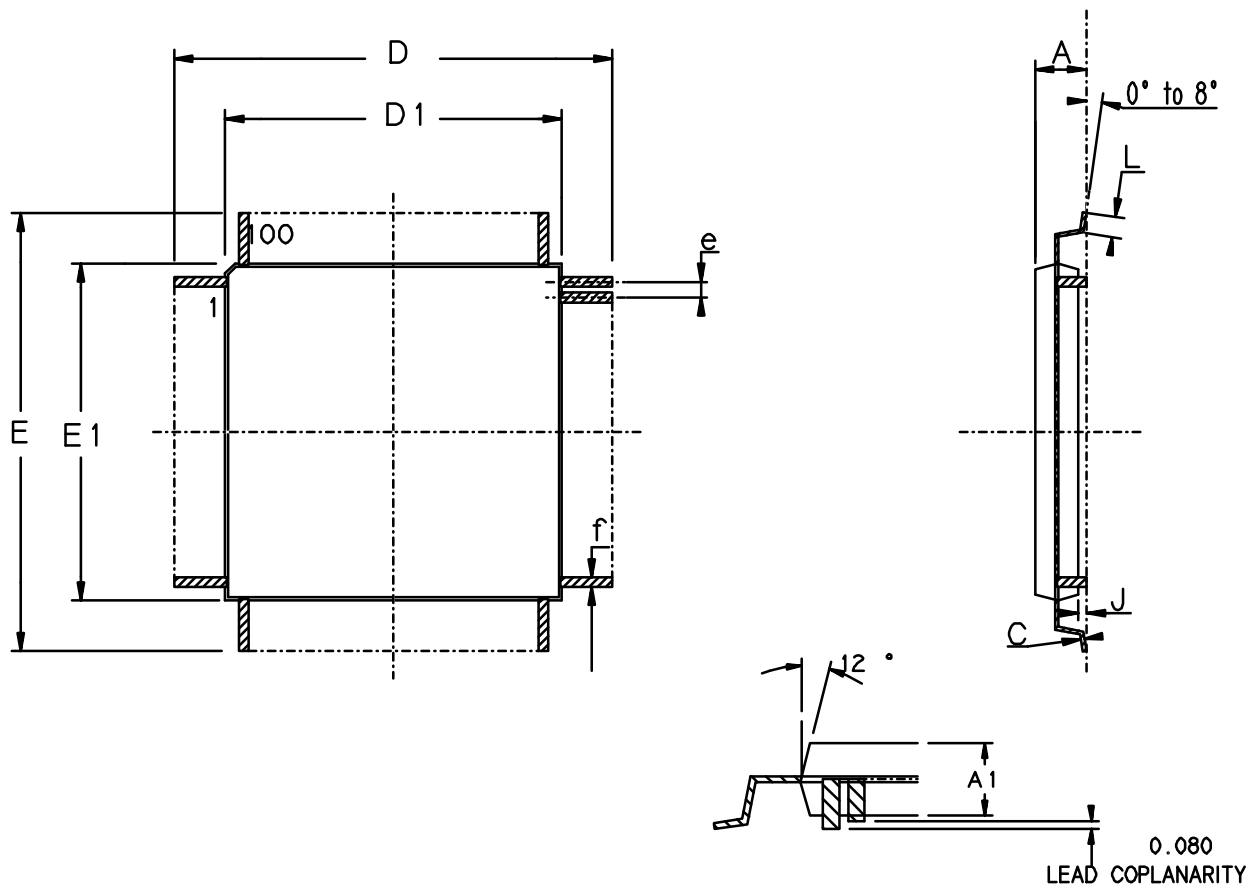
REV : B DATE : 25-04-94

80 PINS SHRINK QUAD FLAT PACK
SQUARE GULL WING (1.4 mm)



	MM		INCH	
	Min	Max	Min	Max
A	1.40	1.60	.055	.063
A1	1.35	1.45	.053	.057
C	0.17 BSC		.007 BSC	
D	15.80	16.20	.622	.638
D1	13.90	14.10	.547	.555
E	15.80	16.20	.622	.638
E1	13.90	14.10	.547	.555
J	0.05	0.15	.002	.006
L	0.45	0.75	.018	.030
e	0.65 BSC		.0256 BSC	
f	0.30 BSC		.012 BSC	

100 PINS SHRINK QUAD FLAT PACK
SQUARE GULL WING (1.4 mm)

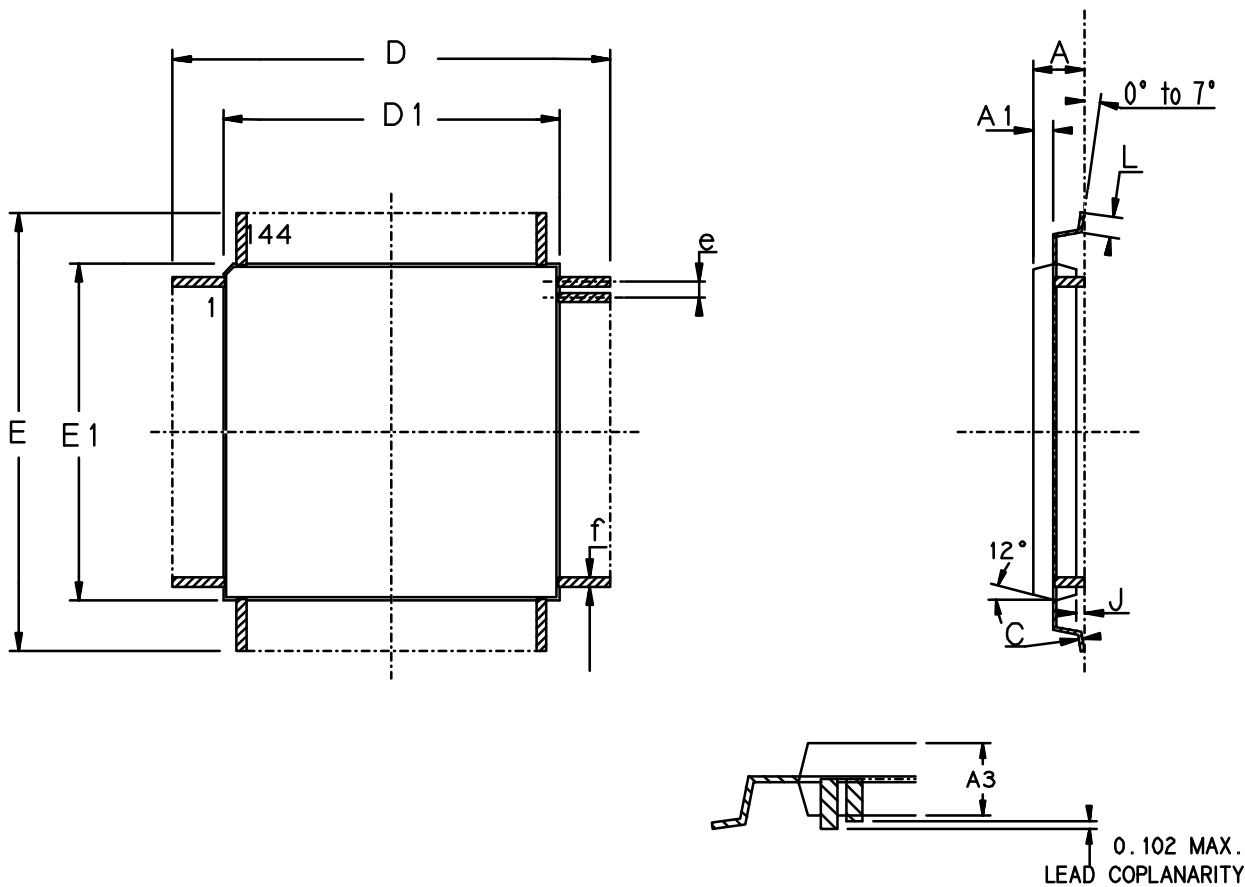


	MM		INCH	
	Min	Max	Min	Max
A	1.40	1.60	.055	.063
A1	1.35	1.45	.053	.057
C	0.17 BSC		.007 BSC	
D	15.80	16.20	.622	.638
D1	13.90	14.10	.547	.555
E	15.80	16.20	.622	.638
E1	13.90	14.10	.547	.555
J	0.05	0.15	.002	.006
L	0.45	0.75	.018	.030
e	0.50 BSC		.0197 BSC	
f	0.22 BSC		.009 BSC	

CODE : RT

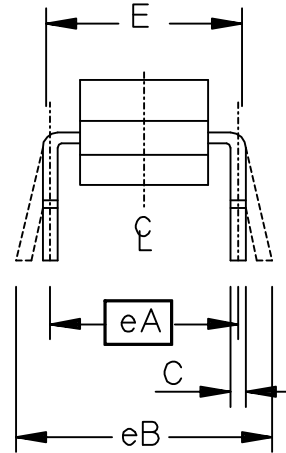
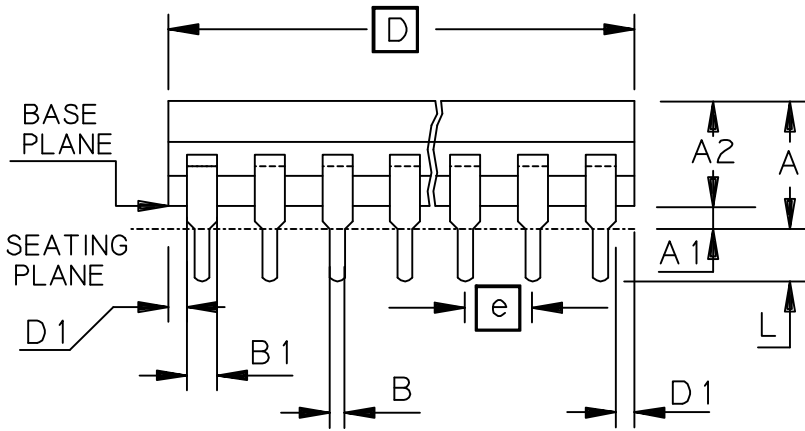
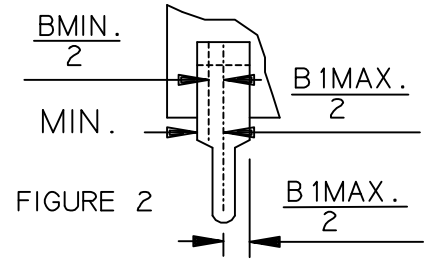
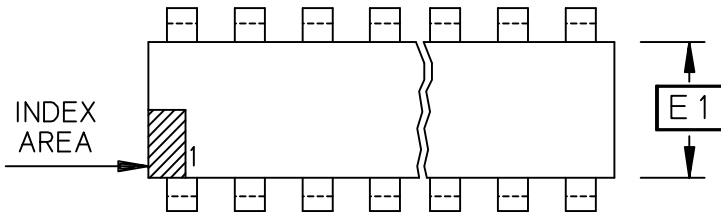
REV : C DATE : 07-03-95

144 PINS SHRINK QUAD FLAT PACK
SQUARE GULL WING (1.4 mm)



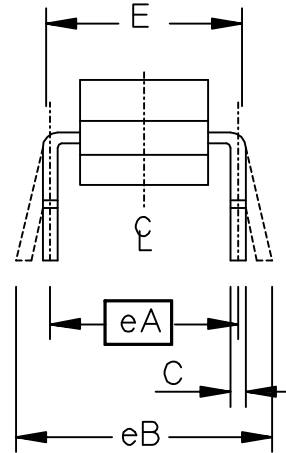
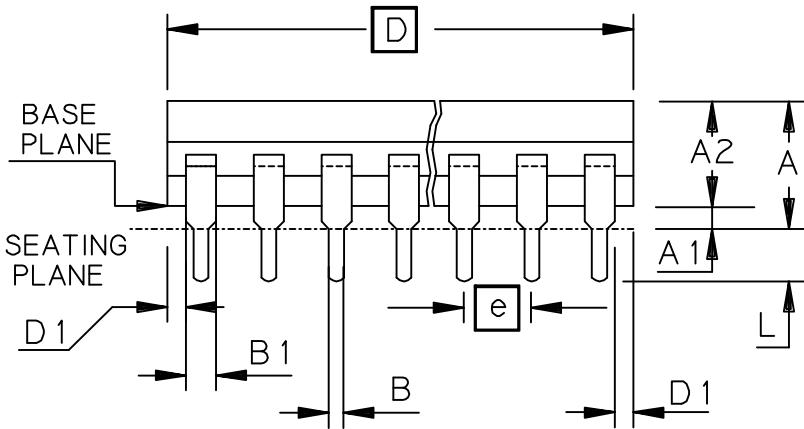
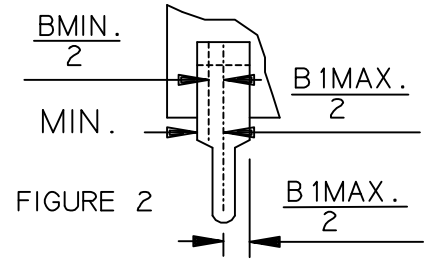
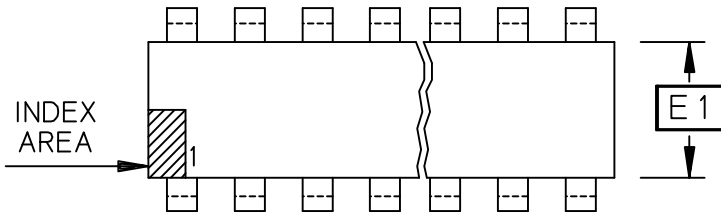
	MM		INCH	
	Min	Max	Min	Max
A	-	1.60	-	.063
C	0.09	0.20	.004	.008
A3	1.35	1.45	.053	.057
D	21.90	22.10	.862	.870
D1	19.90	20.10	.783	.791
E	21.90	22.10	.862	.870
E1	19.90	20.10	.783	.791
J	0.05	0.15	.002	.006
L	0.45	0.75	.018	.030
e	0.50 BSC		.0197 BSC	
f	0.22 BSC		.009 BSC	

16 PINS CERDIP .300



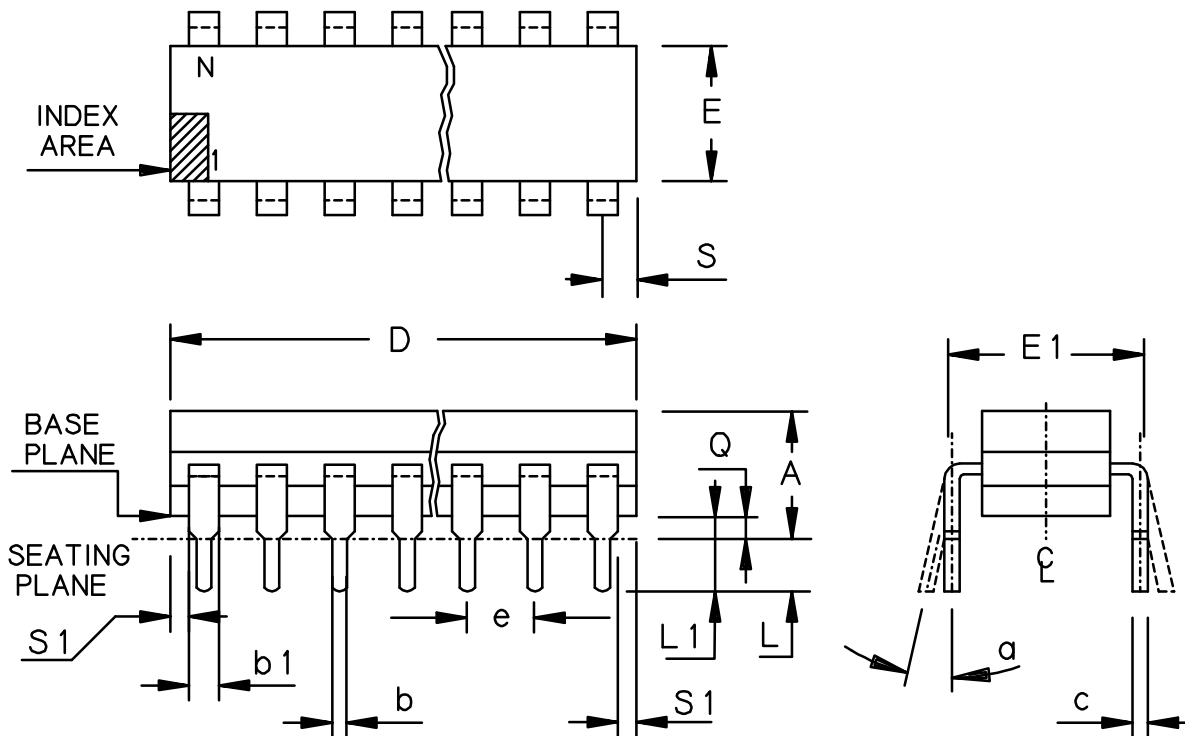
	MM		INCH	
	min	max	min	max
A	-	5.71	-	.225
A1	0.51	-	.020	-
A2	3.81	4.57	.150	.180
B	0.36	0.58	.014	.023
B1	0.76	1.78	.030	.070
C	0.20	0.38	.008	.015
D	19.30	20.07	.760	.790
D1	0.13	-	.005	-
E	8.00	8.38	.315	.330
E1	7.24	7.87	.285	.310
e	2.54	B.S.C	.100	B.S.C
eA	7.62	B.S.C	.300	B.S.C
eB	-	10.92	-	.430
L	3.17	5.08	.125	.200
PKG STD	-01-			

18 PINS CERDIP .300



	MM		INCH	
	min	max	min	max
A	-	5.33	-	.210
A1	0.39	-	.015	-
A2	2.92	4.95	.115	.195
B	0.36	-	.014	-
B1	1.14	1.78	.045	.070
C	0.20	0.38	.008	.015
D	22.40	22.81	.882	.898
D1	0.13	-	.005	-
E	7.62	8.25	.300	.325
E1	6.10	7.11	.240	.280
e	2.54	B.S.C	.100	B.S.C
eA	7.62	B.S.C	.300	B.S.C
eB	-	10.92	-	.430
L	2.92	4.06	.115	.160
PKG STD	-02-			

20 LEADS CERDIP .300



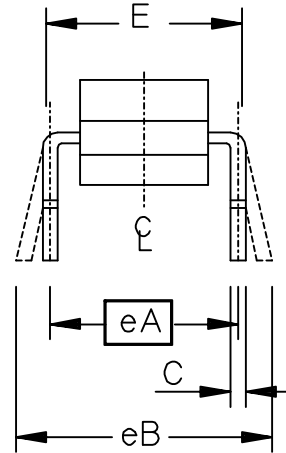
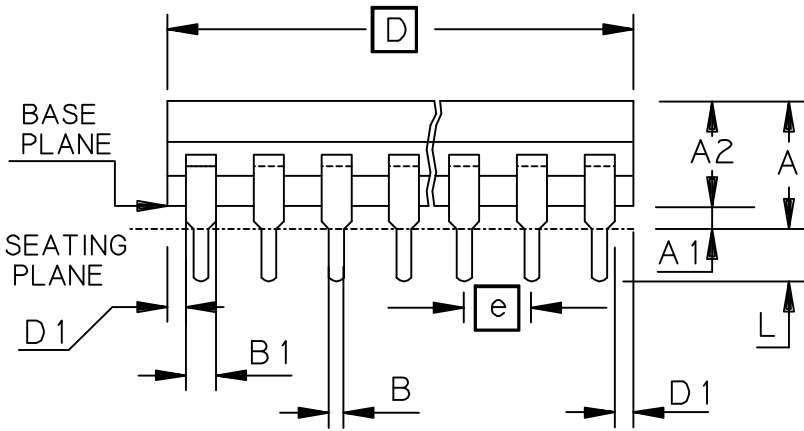
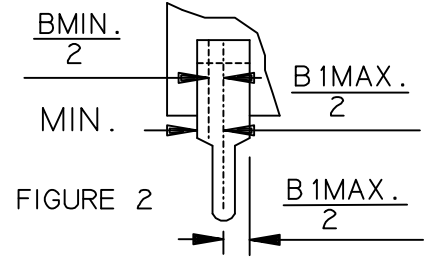
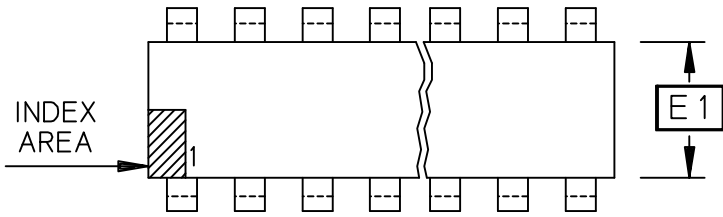
	MM		INCH	
	min	max	min	max
A	-	5.08	-	.200
b	0.36	0.58	.014	.023
b1	0.96	1.65	.038	.065
c	0.20	0.38	.008	.015
D	-	26.92	-	1.060
E	5.59	7.87	.220	.310
E1	7.37	8.13	.290	.320
e	2.54 B.S.C		.100 B.S.C	
L	3.18	5.08	.125	.200
L1	3.81	-	.150	-
Q	0.38	1.78	.015	.070
S	-	2.03	-	.080
S1	0.13	-	.005	-
a	0° - 15°		0° - 15°	
N	20			

COMPLIANT MIL-M-38510H (D-8).

CODE : 1G

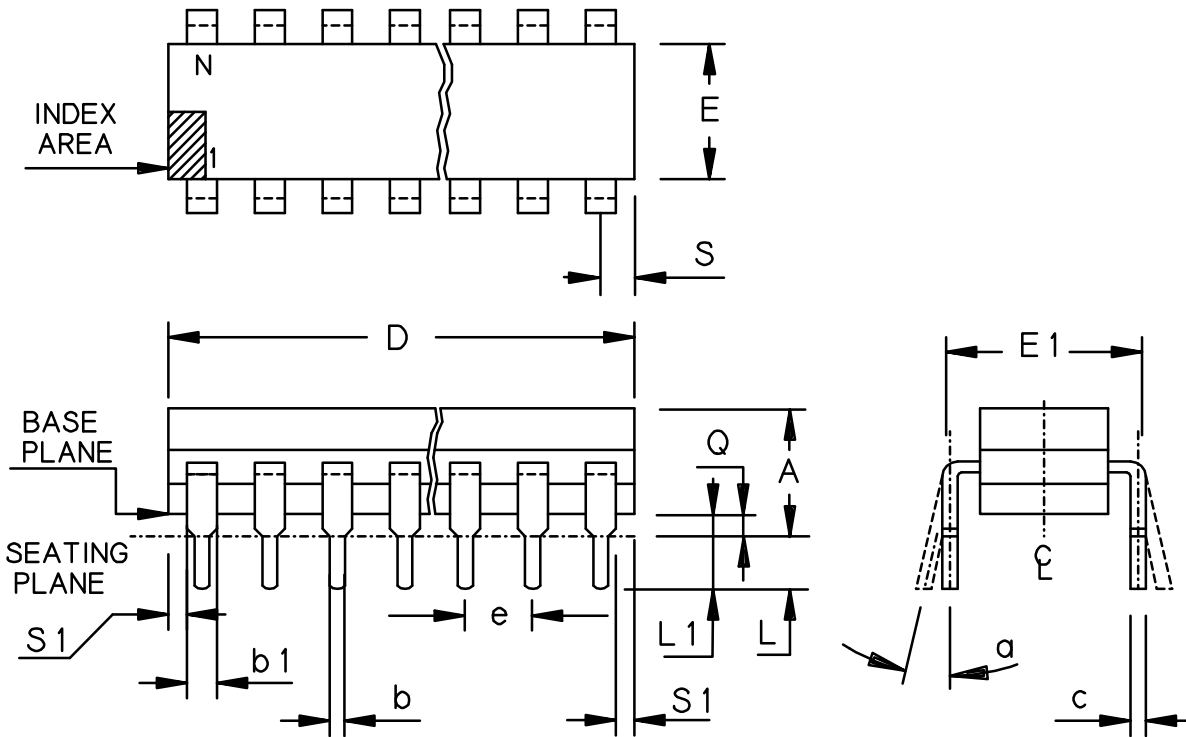
REV : G DATE : 17-11-93

22 PINS CERDIP .300



	MM		INCH	
	min	max	min	max
A	-	5.84	-	.230
A1	0.51	-	.020	-
A2	3.17	4.95	.125	.195
B	0.36	0.58	.014	.023
B1	0.89	1.78	.035	.070
C	0.20	0.38	.008	.015
D	26.92	28.19	1.060	1.110
D1	0.13	-	.005	-
E	7.82	8.00	.308	.315
E1	7.24	7.87	.285	.310
e	2.54	B.S.C	.100	B.S.C
eA	7.62	B.S.C	.300	B.S.C
eB	-	10.82	-	.426
L	3.18	5.08	.125	.200
PKG STD	-02-			

24 LEADS CERDIP .300



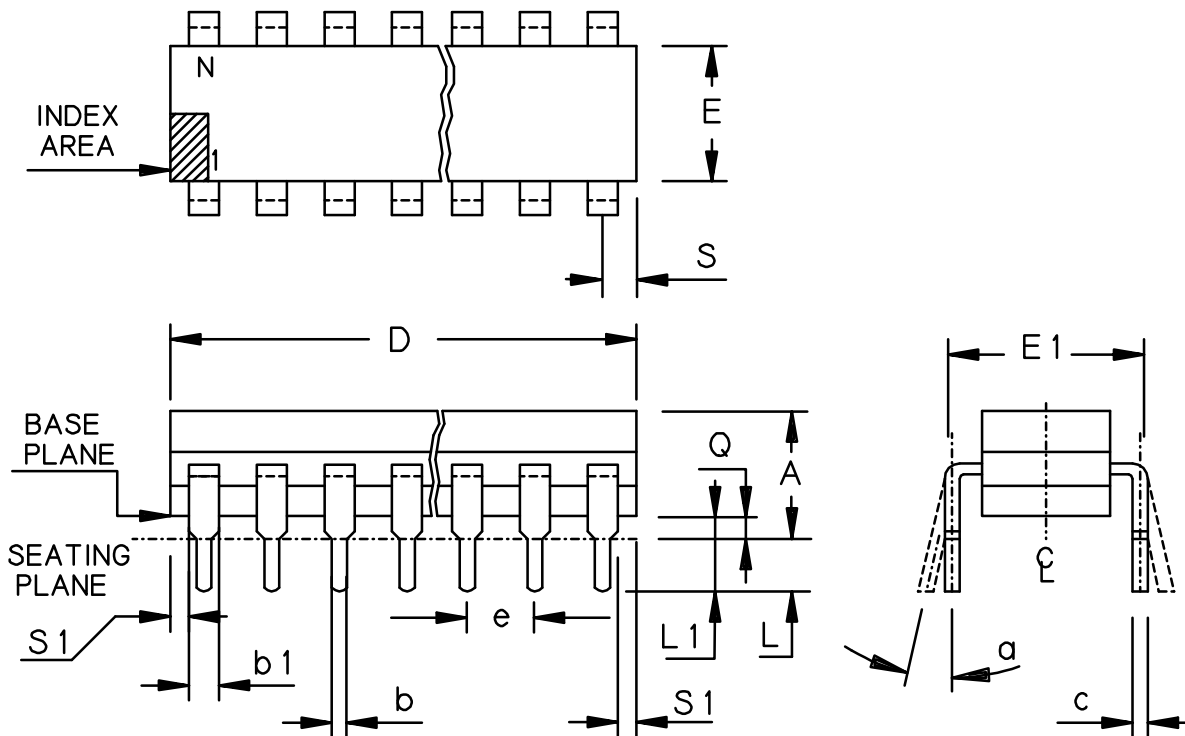
	MM		INCH	
	min	max	min	max
A	-	5.08	-	.200
b	0.36	0.58	.014	.023
b1	0.96	1.65	.038	.065
c	0.20	0.38	.008	.015
D	-	32.51	-	1.280
E	5.59	7.87	.220	.310
E1	7.37	8.13	.290	.320
e	2.54 B.S.C		.100 B.S.C	
L	3.18	5.08	.125	.200
L1	3.81	-	.150	-
Q	0.38	1.52	.015	.060
S	-	2.49	-	.098
S1	0.13	-	.005	-
a	0° - 15°		0° - 15°	
N	24			

COMPLIANT MIL-M-38510H (D-9).

CODE : 1Z

REV : J | DATE : 29-06-94

24 LEADS CERDIP .600



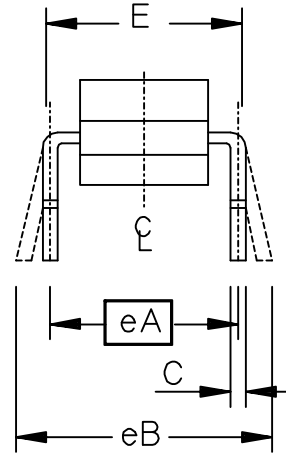
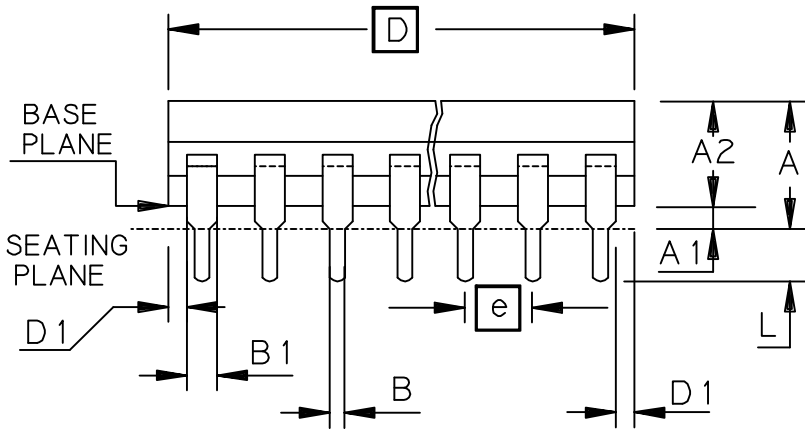
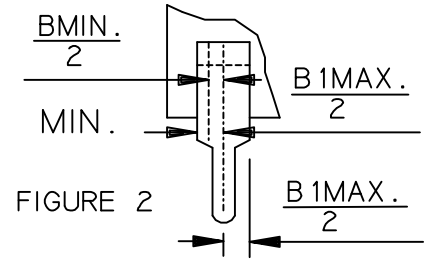
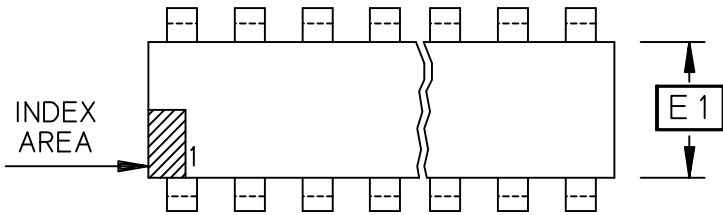
	MM		INCH	
	min	max	min	max
A	-	5.71	-	.225
b	0.36	0.58	.014	.023
b1	0.96	1.65	.038	.065
c	0.20	0.38	.008	.015
D	-	32.77	-	1.290
E	12.70	15.50	.500	.610
E1	14.99	15.75	.590	.620
e	2.54 B.S.C		.100 B.S.C	
L	3.18	5.08	.125	.200
L1	3.81	-	.150	-
Q	0.38	1.90	.015	.075
S	-	2.49	-	.098
S1	0.13	-	.005	-
a	0° - 15°		0° - 15°	
N	24			

COMPLIANT MIL-M-38510H (D-3).

CODE : 1

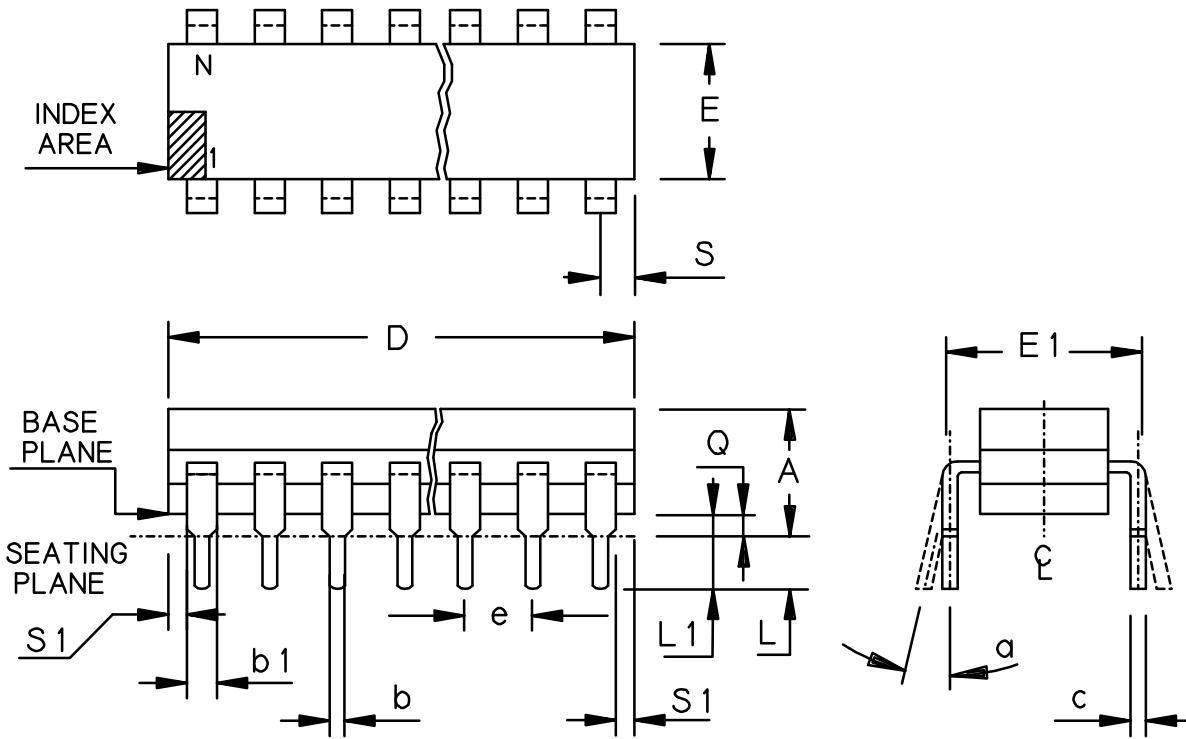
REV : F | DATE : 17-11-93

24 PINS CERDIP .600



	MM		INCH	
	min	max	min	max
A	-	5.33	-	.210
A1	0.39	-	.015	-
A2	2.92	4.95	.115	.195
B	0.36	-	.014	-
B1	1.14	1.78	.045	.070
C	0.20	0.38	.008	.015
D	31.50	32.51	1.240	1.280
D1	0.13	-	.005	-
E	15.24	15.74	.600	.620
E1	14.50	15.11	.571	.595
e	2.54	B.S.C	.100	B.S.C
eA	15.24	B.S.C	.600	B.S.C
eB	-	17.78	-	.700
L	3.17	5.08	.125	.200
PKG STD	-01-			

28 LEADS CERDIP .300



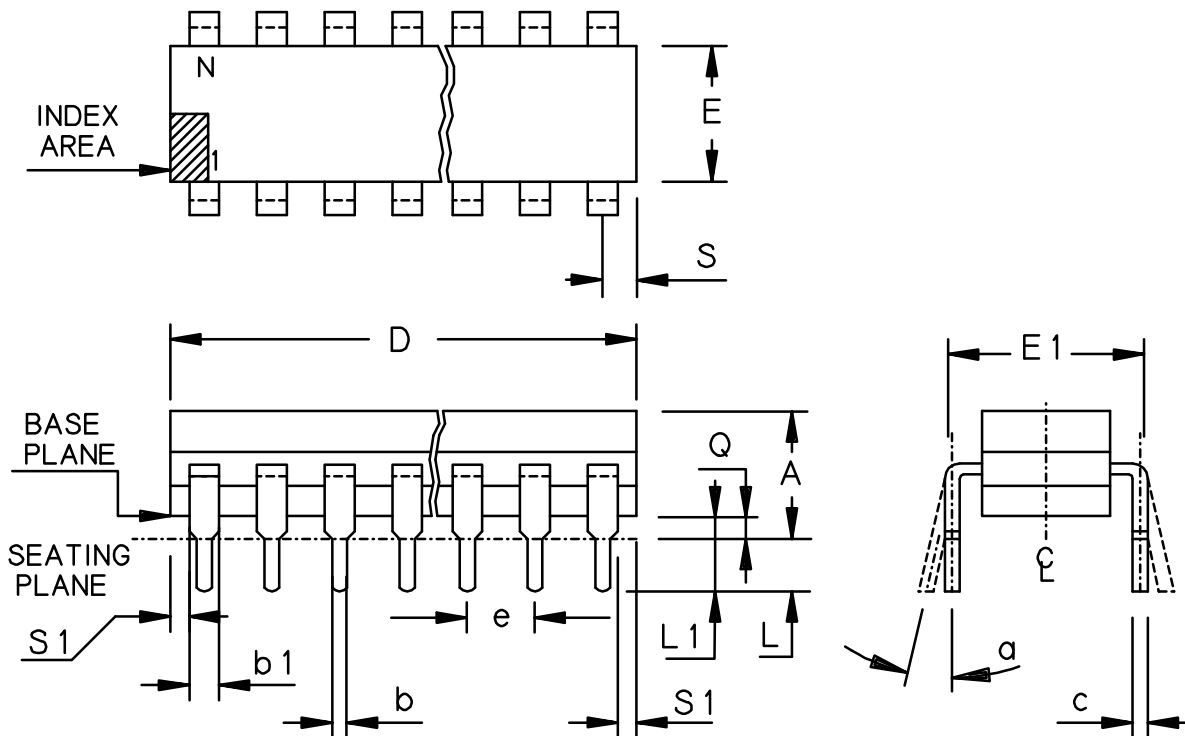
	MM		INCH	
	min	max	min	max
A	3.30	5.84	.130	.230
b	0.36	0.58	.014	.023
b1	0.96	1.65	.038	.065
c	0.20	0.38	.008	.015
D	-	37.72	-	1.485
E	6.10	7.87	.240	.310
E1	7.36	8.13	.290	.320
e	2.54 B.S.C		.100 B.S.C	
L	2.92	5.08	.115	.200
L1	3.30	-	.130	-
Q	0.38	2.54	.015	.100
S	-	2.54	-	.100
S1	0.13	-	.005	-
a	0° - 15°		0° - 15°	
N	28			

COMPLIANT MIL-M-38510H (D-15).

CODE : 1P

REV : D DATE : 29-06-94

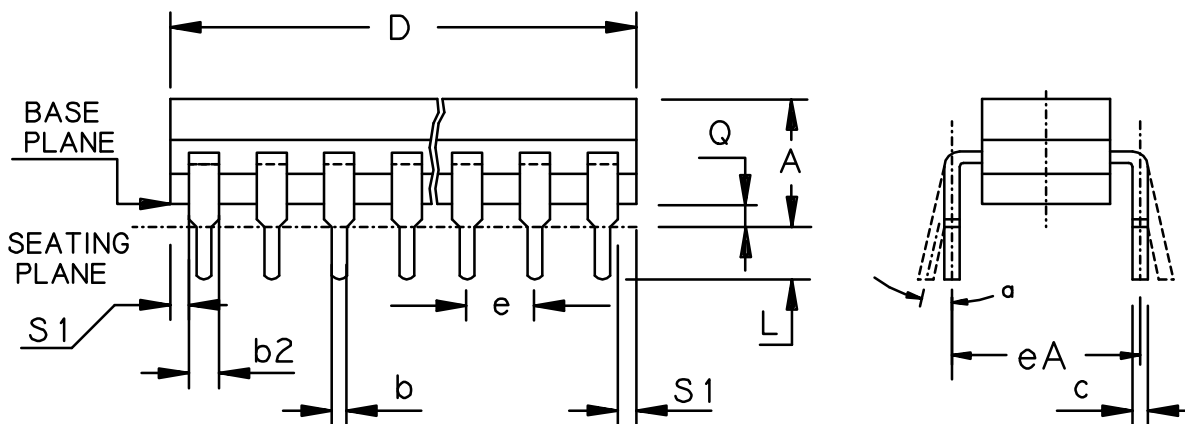
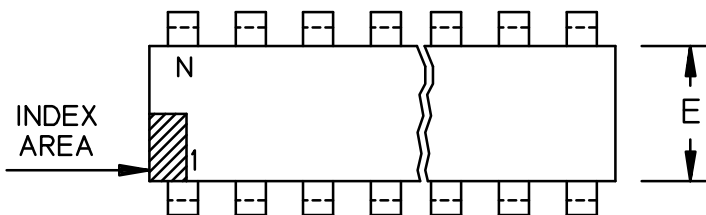
28 LEADS CERDIP .600



	MM		INCH	
	min	max	min	max
A	-	5.89	-	.232
b	0.36	0.58	.014	.023
b1	0.96	1.65	.038	.065
c	0.20	0.38	.008	.015
D	-	37.85	-	1.490
E	12.70	15.49	.500	.610
E1	14.99	15.75	.590	.620
e	2.54 B.S.C		.100 B.S.C	
L	3.18	5.08	.125	.200
L1	3.81	-	.150	-
Q	0.38	1.52	.015	.060
S	-	2.54	-	.100
S1	0.13	-	.005	-
a	0° - 15°		0° - 15°	
N	28			

COMPLIANT MIL-M-38510H (D-10)

40 LEADS CERDIP .600



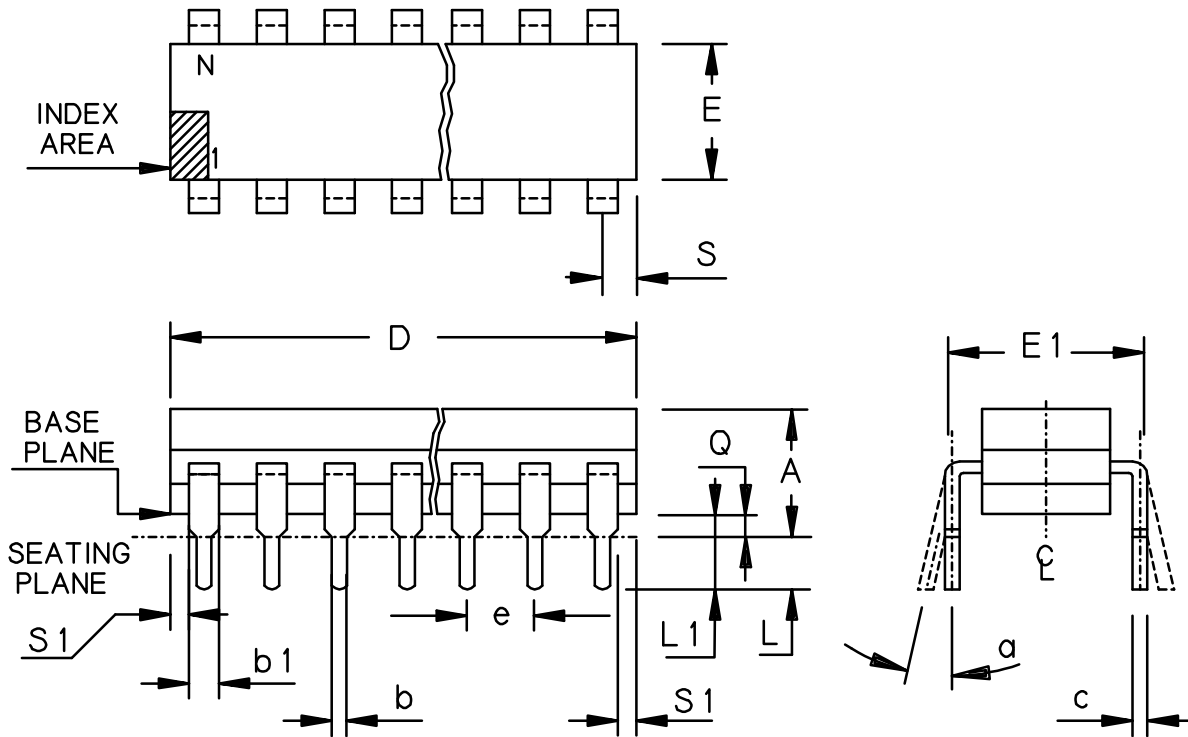
	MM		INCH	
	min	max	min	max
A	-	5.71	-	.225
b	0.36	0.58	.014	.023
b2	1.14	1.65	.045	.065
c	0.20	0.38	.008	.015
D	-	53.24	-	2.096
E	12.95	15.75	.510	.620
eA	15.24 B.S.C.		.600 B.S.C	
e	2.54 B.S.C		.100 B.S.C	
L	3.18	5.08	.125	.200
Q	0.38	1.78	.015	.070
S1	0.13	-	.005	-
a	0° - 15°		0° - 15°	
N	40			

COMPLIANT MIL-STD-1835 (D-5).

CODE : 1C

REV : G | DATE : 19-04-94

48 LEADS CERDIP .600



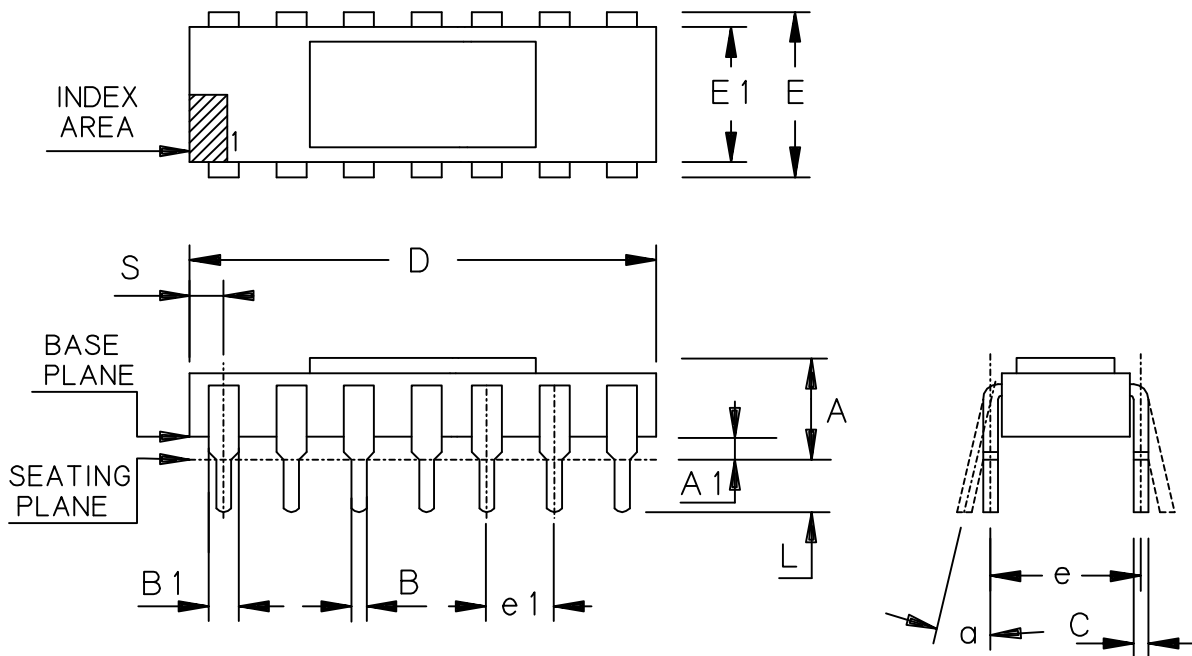
	MM		INCH	
	min	max	min	max
A	-	5.71	-	.225
b	0.36	0.58	.014	.023
b1	0.96	1.65	.038	.065
c	0.20	0.38	.008	.015
D	-	61.85	-	2.435
E	12.95	15.75	.510	.620
E1	14.90	16.00	.590	.630
e	2.54 B.S.C		.100 B.S.C	
L	3.18	5.08	.125	.200
L1	3.81	-	.150	-
Q	0.38	1.78	.015	.070
S	-	2.54	-	.100
S1	0.13	-	.005	-
a	0° - 15°		0° - 15°	
N	48			

COMPLIANT MIL-M-38510H (D-14).

CODE : 1K

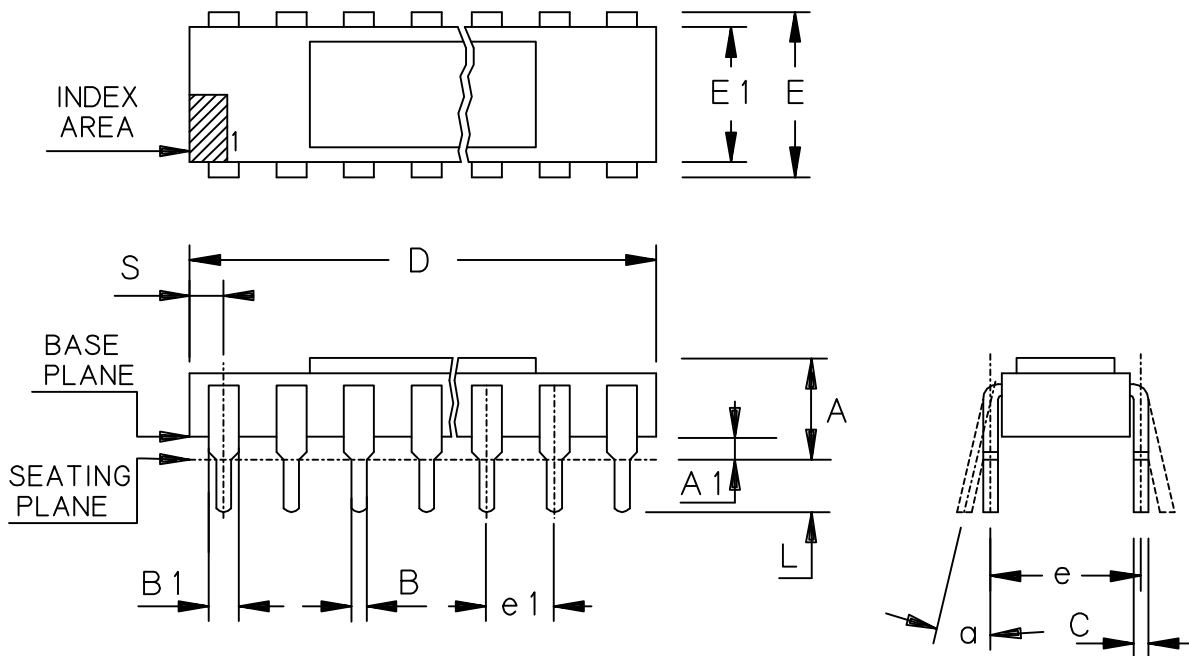
REV : E | DATE : 01-02-91

14 LEAD SIDE BRAZE .300



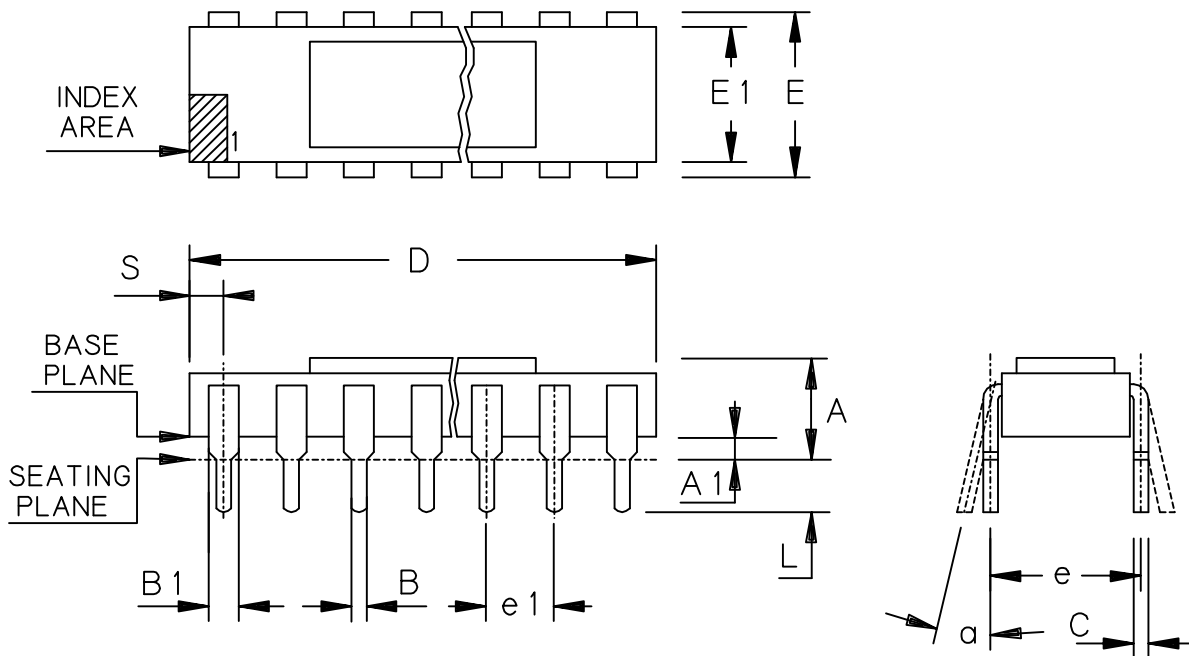
	MM		INCH	
A	3.17	4.32	.125	.170
A1	1.14	1.65	.045	.065
B	0.40	0.50	.016	.020
B1	1.14	1.40	.045	.055
C	0.20	0.30	.008	.012
D	17.52	18.03	.690	.710
E	7.62	8.13	.300	.320
E1	7.11	7.87	.280	.310
L	3.18	4.44	.125	.175
S	1.10	1.45	.043	.057
e	7.62	TYP	.300	TYP
e1	2.54	TYP	.100	TYP
a	0°		15°	
PKG STD		00		

16 LEAD SIDE BRAZE .300



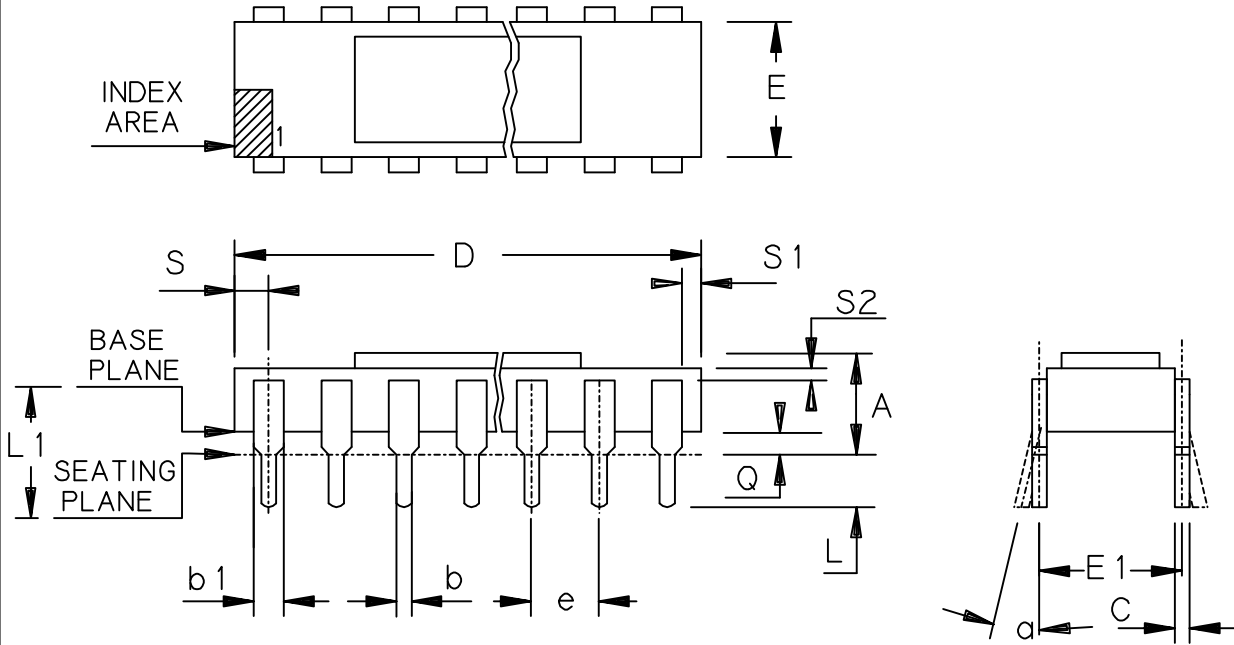
	MM		INCH	
A	2.67	4.44	.105	.175
A1	0.63	1.40	.025	.055
B	0.38	0.53	.015	.021
B1	0.96	1.52	.038	.060
C	0.20	0.30	.008	.012
D	19.56	21.08	.770	.830
E	7.49	8.25	.295	.325
E1	7.11	7.87	.280	.310
L	3.18	4.44	.125	.175
S	1.10	1.45	.043	.057
e	7.62	TYP	.300	TYP
e1	2.54	TYP	.100	TYP
a	0°		15°	
PKG STD		00		

18 LEAD SIDE BRAZE .300



	MM		INCH	
A	2.67	4.44	.105	.175
A1	0.63	1.40	.025	.055
B	0.38	0.53	.015	.021
B1	0.96	1.52	.038	.060
C	0.20	0.30	.008	.012
D	22.36	23.62	.880	.930
E	7.49	8.25	.295	.325
E1	7.11	7.87	.280	.310
L	3.18	4.44	.125	.175
S	1.10	1.45	.043	.057
e	7.62	TYP	.300	TYP
e1	2.54	TYP	.100	TYP
a	0°		15°	
PKG STD		00		

20 LEAD SIDE BRAZE .300



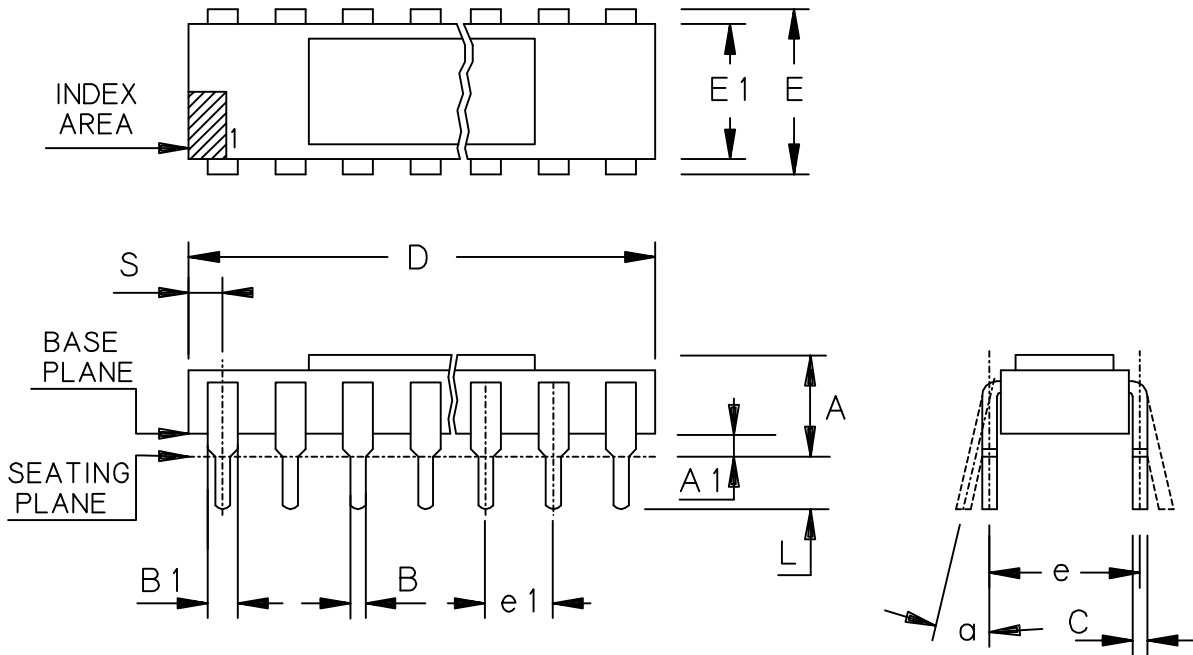
	MM		INCH	
A	-	5.08	-	.200
Q	0.38	1.78	.015	.070
b	0.36	0.58	.014	.023
b1	0.96	1.65	.038	.065
C	0.20	0.38	.008	.015
D	-	26.92	-	1.060
S1	0.13	-	.005	-
E	5.59	7.87	.220	.310
L	3.18	5.08	.125	.200
S	-	2.03	-	.080
E1	7.37	8.13	.290	.320
e	2.54	BSC	.100	BSC
S2	0.13	-	.005	-
a	0°		15°	
L1	3.81	-	.150	-

COMPLIANT MIL 38510 (D-8)

CODE : CG

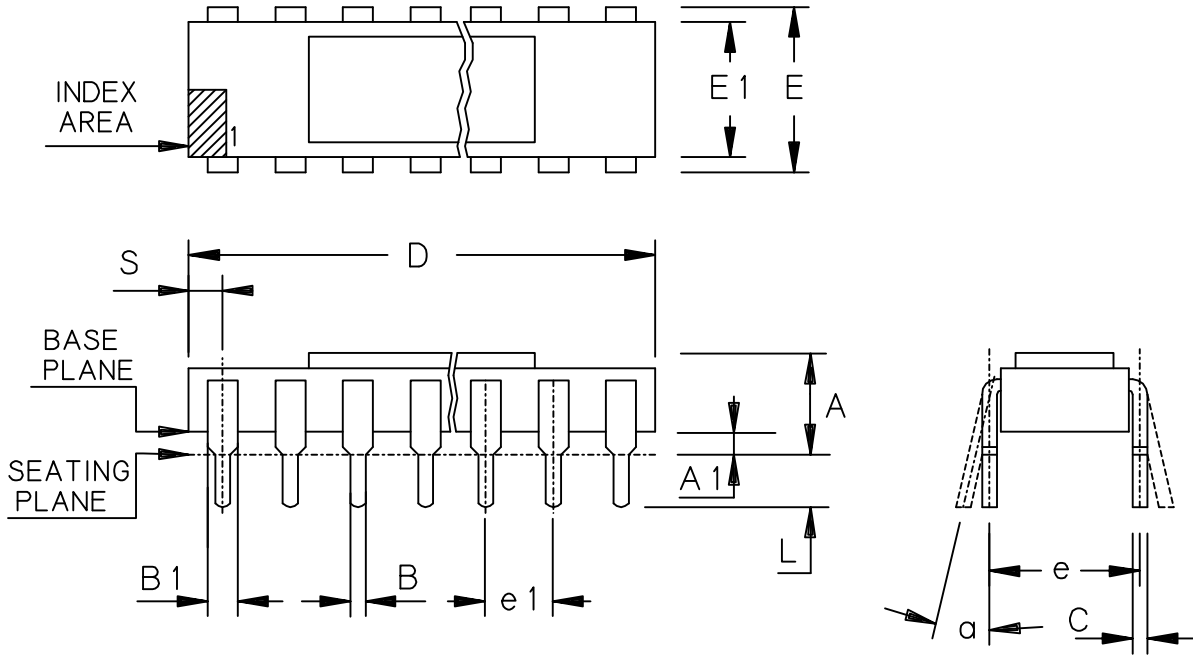
REV : A DATE : 26-11-91

22 LEAD SIDE BRAZE .400



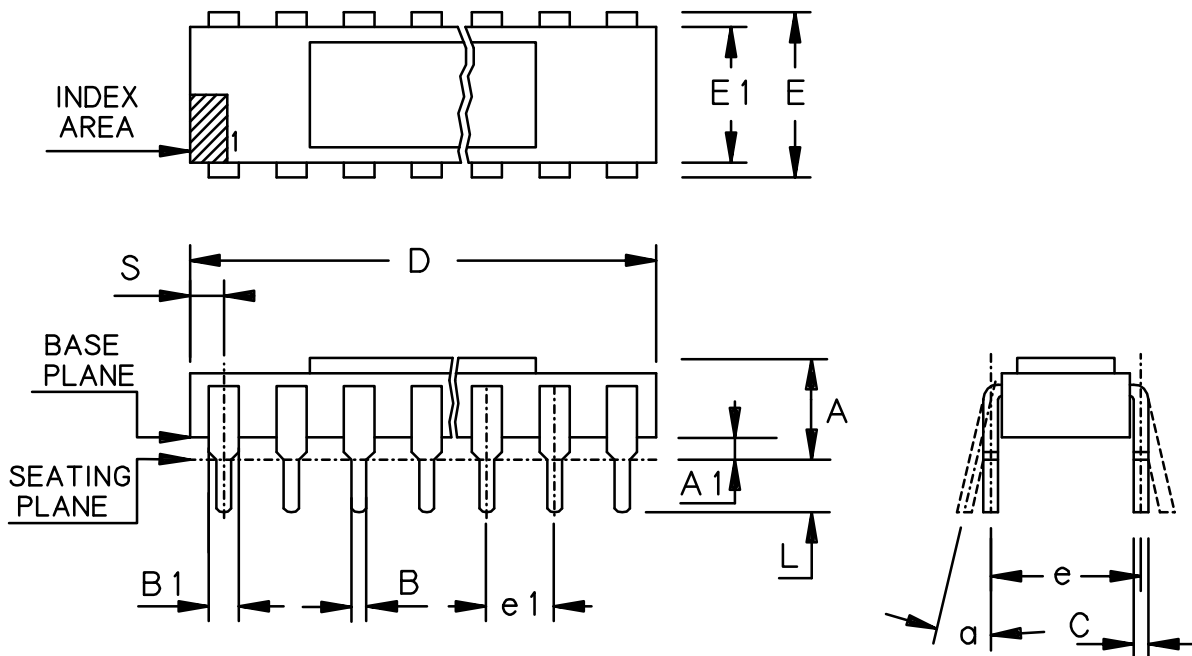
	MM		INCH	
A	2.29	4.44	.090	.175
A1	0.64	1.39	.025	.055
B	0.38	0.58	.015	.023
B1	0.97	1.52	.038	.060
C	0.20	0.30	.008	.012
D	26.42	28.44	1.040	1.120
E	10.04	10.66	.395	.420
E1	9.66	10.41	.380	.410
L	3.18	4.44	.125	.175
S	2.41	2.67	.095	.105
e	10.16	TYP	.400	TYP
e1	2.54	TYP	.100	TYP
a	0°		15°	
PKG STD		02		

22 LEAD SIDE BRAZE .300



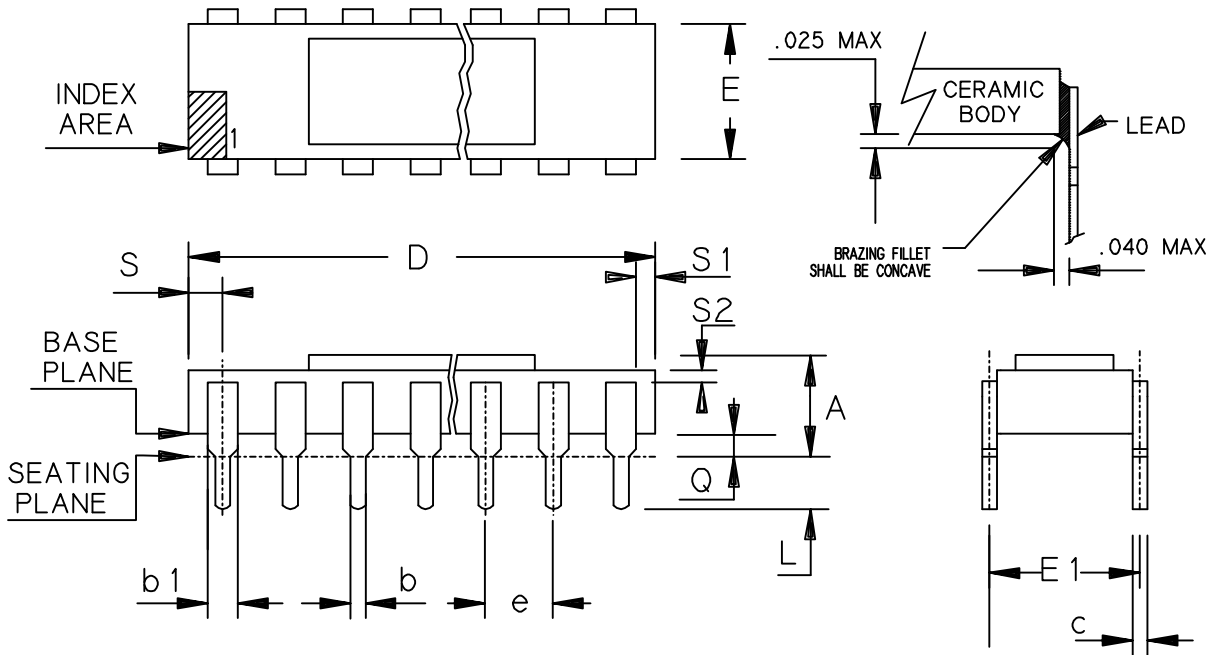
	MM		INCH	
A	2.82	3.94	.111	.155
A1	0.63	1.14	.025	.045
B	0.38	0.53	.015	.021
B1	0.96	1.52	.038	.060
C	0.20	0.30	.008	.012
D	27.43	28.45	1.080	1.120
E	7.49	8.25	.295	.325
E1	7.11	7.87	.280	.310
L	3.18	4.44	.125	.175
S	1.10	2.03	.043	.080
e	7.62	TYP	.300	TYP
e1	2.54	TYP	.100	TYP
a	0°		15°	
PKG STD		00		

24 LEAD SIDE BRAZE .300



	MM		INCH	
A	2.67	4.44	.105	.175
A1	0.64	1.39	.025	.055
B	0.38	0.58	.015	.023
B1	0.97	1.52	.038	.060
C	0.20	0.30	.008	.012
D	30.18	30.78	1.188	1.212
E	7.37	8.25	.290	.325
E1	7.29	8.26	.287	.325
L	3.18	4.44	.125	.175
S	2.11	2.97	.083	.117
e	7.62	TYP	.300	TYP
e1	2.54	TYP	.100	TYP
a	0° - 15°		0° - 15°	
PKG STD		00		

24 LEAD SIDE BRAZE .600



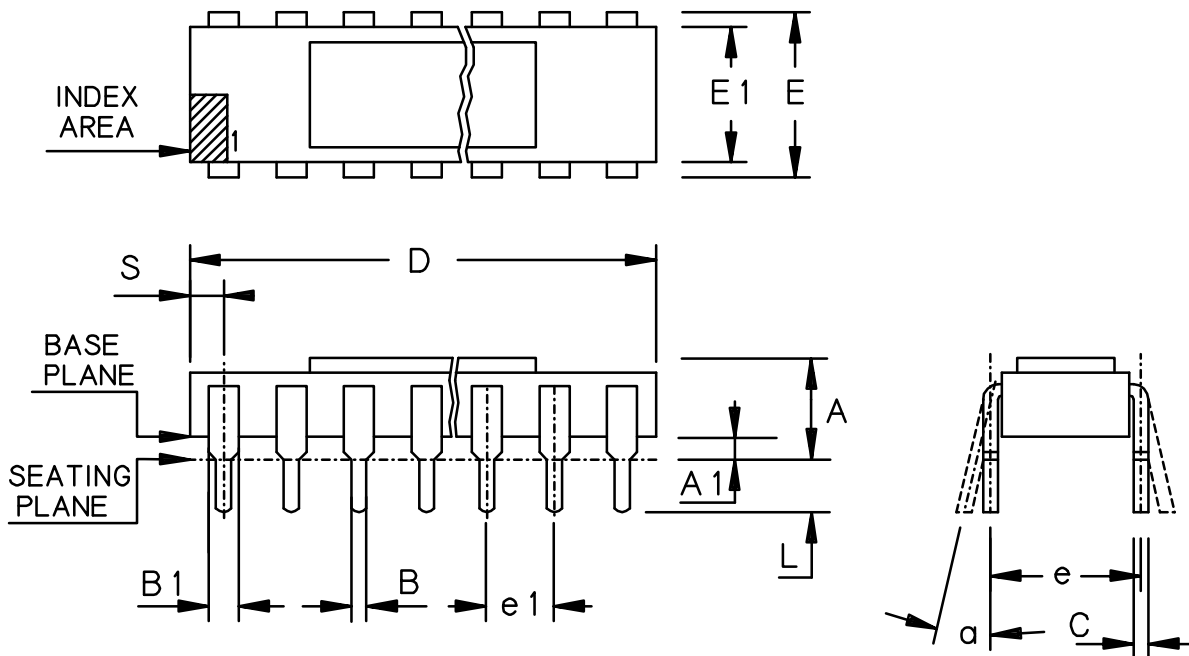
	MM		INCH	
A	2.16	4.83	.085	.190
b	0.38	0.58	.015	.023
b1	0.97	1.52	.038	.060
c	0.20	0.30	.008	.012
D	-	32.77	-	1.290
E	12.70	15.50	.500	.610
E1	14.99	15.75	.590	.620
e	2.54	BSC	.100	BSC
L	3.18	4.44	.125	.175
L1	3.81	-	.150	-
Q	0.51	1.77	.020	.070
S	-	1.65	-	.065
S1	0.13	-	.005	-
S2	0.13	-	.005	-

COMPLIANT MIL 38510-H (D-3)

CODE : C

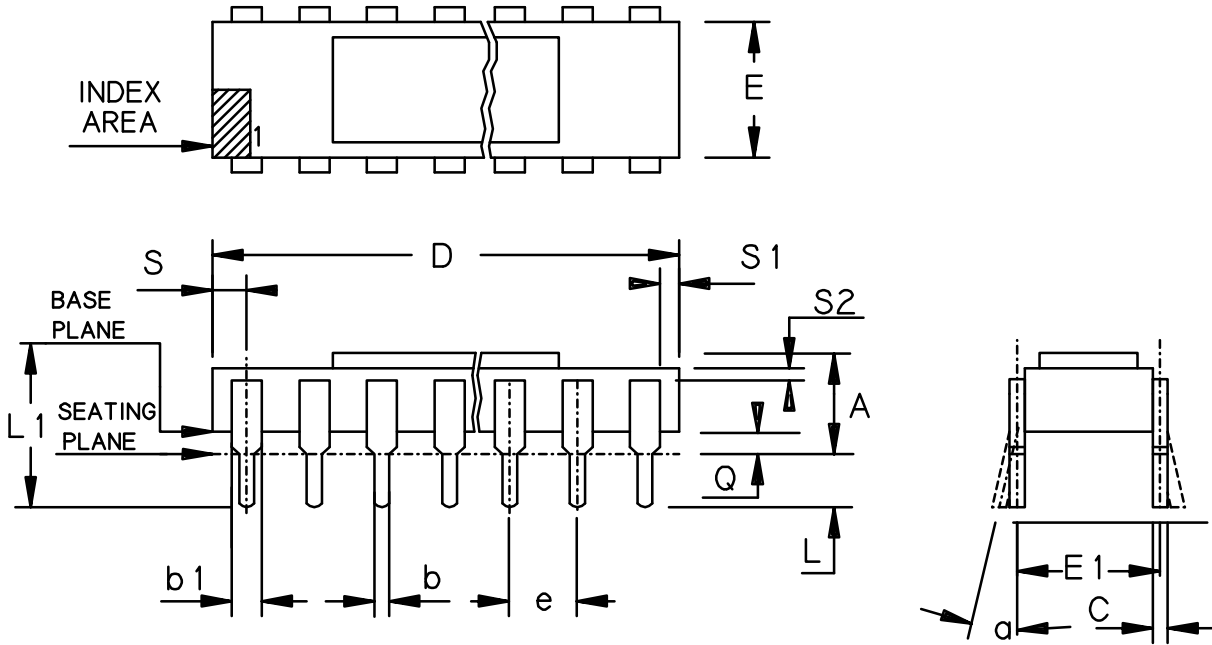
REV : G DATE : 10-02-92

28 LEAD SIDE BRAZE .600



	MM		INCH	
A	2.16	4.83	.085	.190
A1	0.51	1.77	.020	.070
B	0.38	0.58	.015	.023
B1	0.97	1.52	.038	.060
C	0.20	0.30	.008	.012
D	35.05	36.06	1.380	1.420
E	15.12	15.87	.595	.625
E1	14.74	15.49	.580	.610
L	3.18	4.44	.125	.175
S	0.77	1.65	.030	.065
e	15.24	TYP	.600	TYP
e1	2.54	TYP	.100	TYP
a	0° - 15°		0° - 15°	
PKG STD		01		

28 LEAD SIDE BRAZE .300



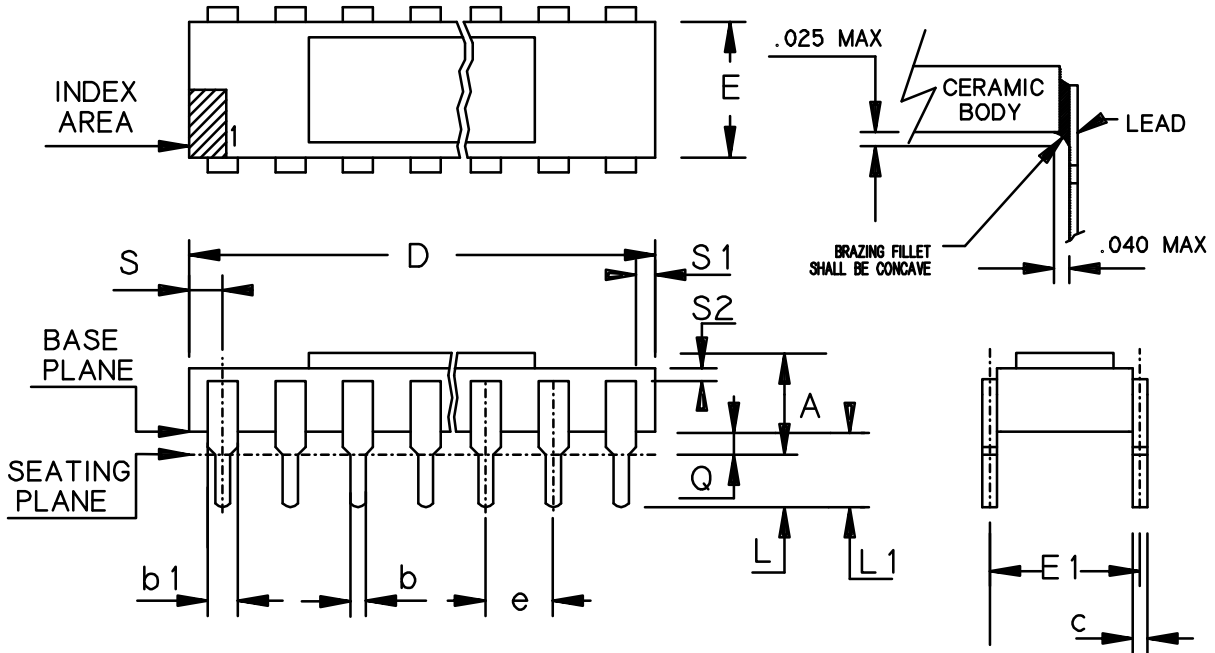
	MM		INCH	
A	3.30	5.84	.130	.230
Q	0.38	2.54	.015	.100
b	0.36	0.58	.014	.023
b1	0.96	1.65	.038	.065
C	0.20	0.38	.008	.015
D	-	37.72	-	1.485
S1	0.13	-	.005	-
E	6.10	7.87	.240	.310
L	2.92	5.08	.115	.200
S	-	2.54	-	.100
E1	7.37	8.13	.290	.320
e	2.54	BSC	.100	BSC
S2	0.13	-	.005	-
a	0° -	15°	0° -	15°
L1	3.30	-	.130	-

COMPLIANT MIL 38510 (D-15)

CODE : CP

REV : E DATE : 14-06-94

32 LEAD SIDE BRAZE .400



PRELIMINARY DRAWING

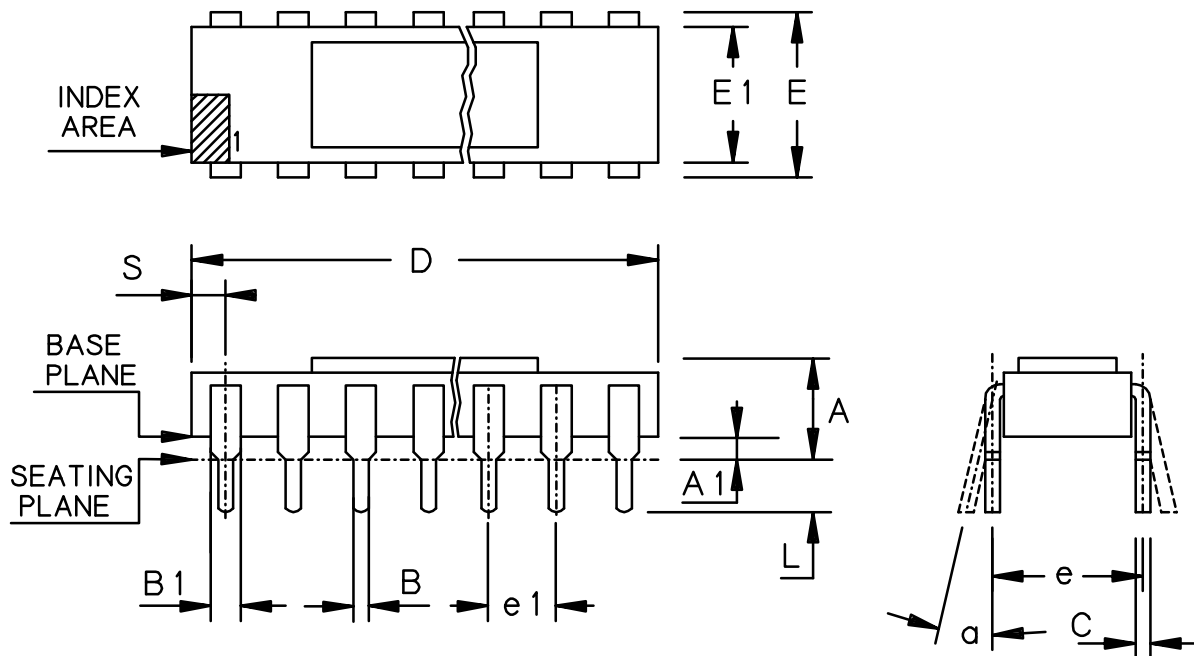
	MM		INCH	
A	3.22	4.30	.013	.170
b	0.40	0.51	.016	.020
b1	1.27 TYP		0.05 TYP	
c	0.23	0.30	.009	.012
D	40.26	41.02	1.585	1.615
E	9.78	10.29	.385	.405
E1	9.90	10.41	.390	.410
e	2.54	BSC	.100	BSC
L	1.66	4.06	.065	.160
L1	3.18	5.08	.125	.200
Q	1.02	1.52	.040	.050
S	-	1.65	-	.065
S1	0.13	-	.005	-
S2	0.13	-	.005	-

DON'T EXIST IN MIL STD 1835

CODE : C9

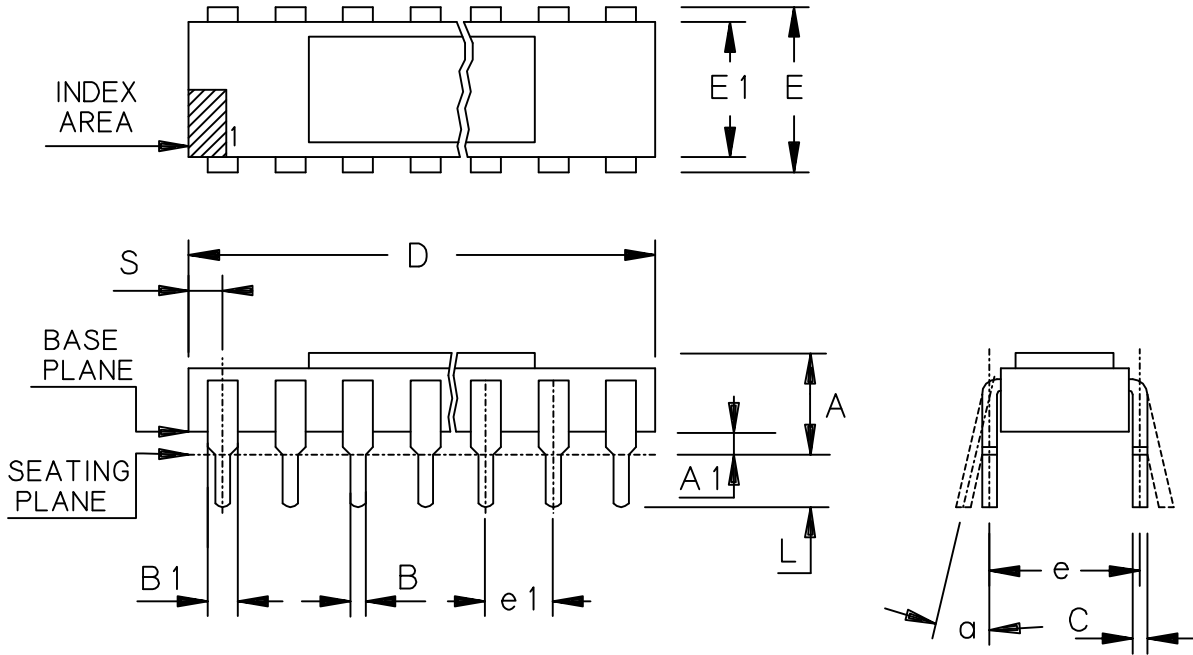
REV :0 DATE : 23-03-93

40 LEAD SIDE BRAZE .600



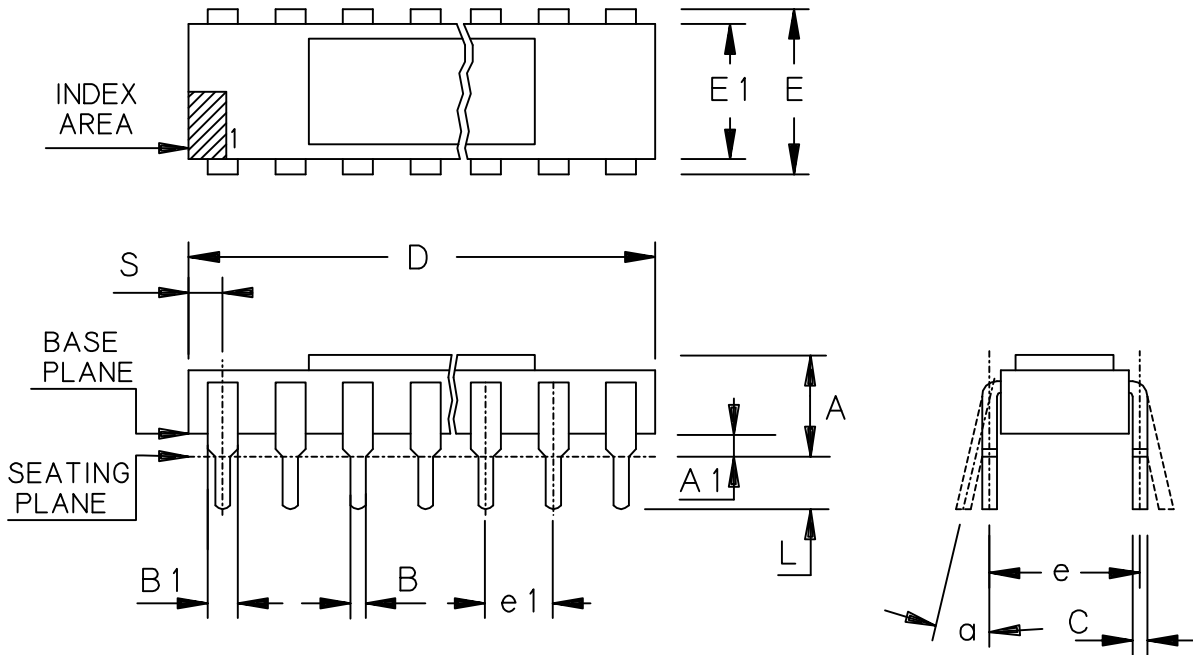
	MM		INCH	
A	2.16	4.83	.085	.190
A1	0.51	1.77	.020	.070
B	0.38	0.58	.015	.023
B1	0.97	1.52	.038	.060
C	0.20	0.30	.008	.012
D	50.30	51.56	1.980	2.030
E	15.12	15.87	.595	.625
E1	14.74	15.49	.580	.610
L	3.18	4.44	.125	.175
S	0.77	1.65	.030	.065
e	15.24	TYP	.600	TYP
e1	2.54	TYP	.100	TYP
a	0°		15°	
PKG STD		01		

48 LEAD SIDE BRAZE .600



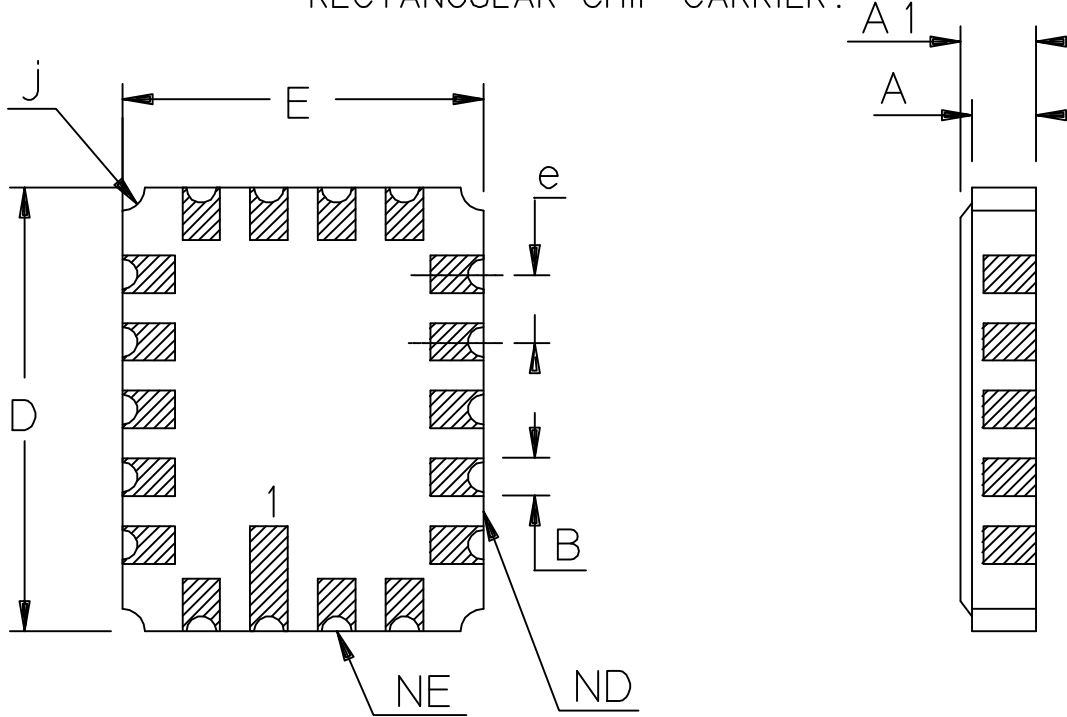
	MM		INCH	
A	2.16	4.83	.085	.190
A1	0.51	1.77	.020	.070
B	0.38	0.58	.015	.023
B1	0.97	1.52	.038	.060
C	0.20	0.30	.008	.012
D	60.32	61.72	2.375	2.430
E	15.12	15.87	.595	.625
E1	14.74	15.49	.580	.610
L	3.18	4.44	.125	.175
S	0.77	1.65	.030	.065
e	15.24	TYP	.600	TYP
e1	2.54	TYP	.100	TYP
a	0°		15°	
PKG STD		00		

64 LEAD SIDE BRAZE .900



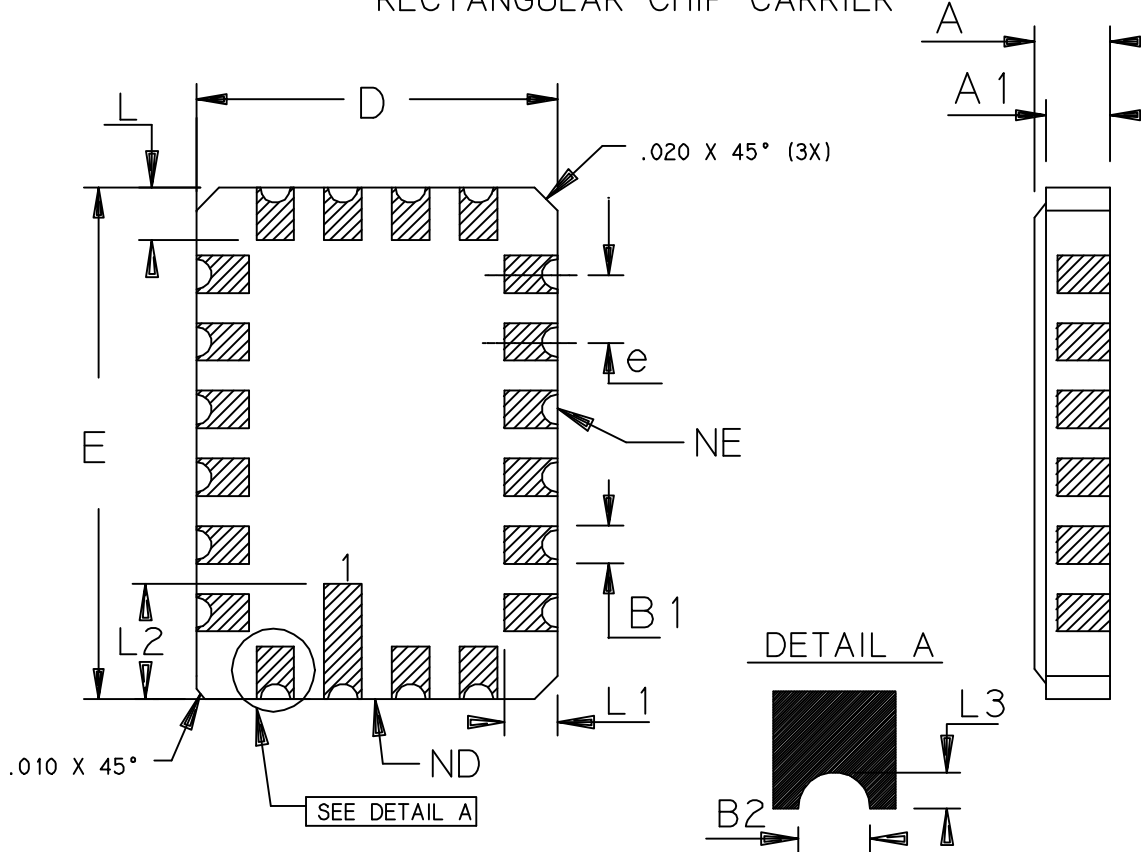
	MM		INCH	
A	3.05	4.32	.120	.170
A1	0.51	1.77	.020	.070
B	0.38	0.53	.015	.021
B1	0.76	1.52	.030	.060
C	0.20	0.30	.008	.012
D	80.26	82.30	3.160	3.240
E	22.86	23.37	.900	.920
E1	22.35	22.86	.880	.900
L	3.05	4.06	.120	.160
S	1.52	3.56	.060	.140
e	22.86	TYP	.900	TYP
e1	2.54	TYP	.100	TYP
a	0°		15°	
PKG STD		00		

18 LDS .050 CENTER LEADLESS
RECTANGULAR CHIP CARRIER.



	MM		INCH	
A	1.14	1.40	.045	.055
A1	1.40	1.98	.055	.078
B	0.635	TYP	.025	TYP
D	8.76	9.14	.345	.360
E	7.11	7.49	.280	.295
e	1.27	BSC	.050	BSC
h				
j	0.30	RAD	.012	RAD
ND	5		5	
NE	4		4	
PKG STD		- 01 -		

20 LDS .050 CENTER LEADLESS
RECTANGULAR CHIP CARRIER



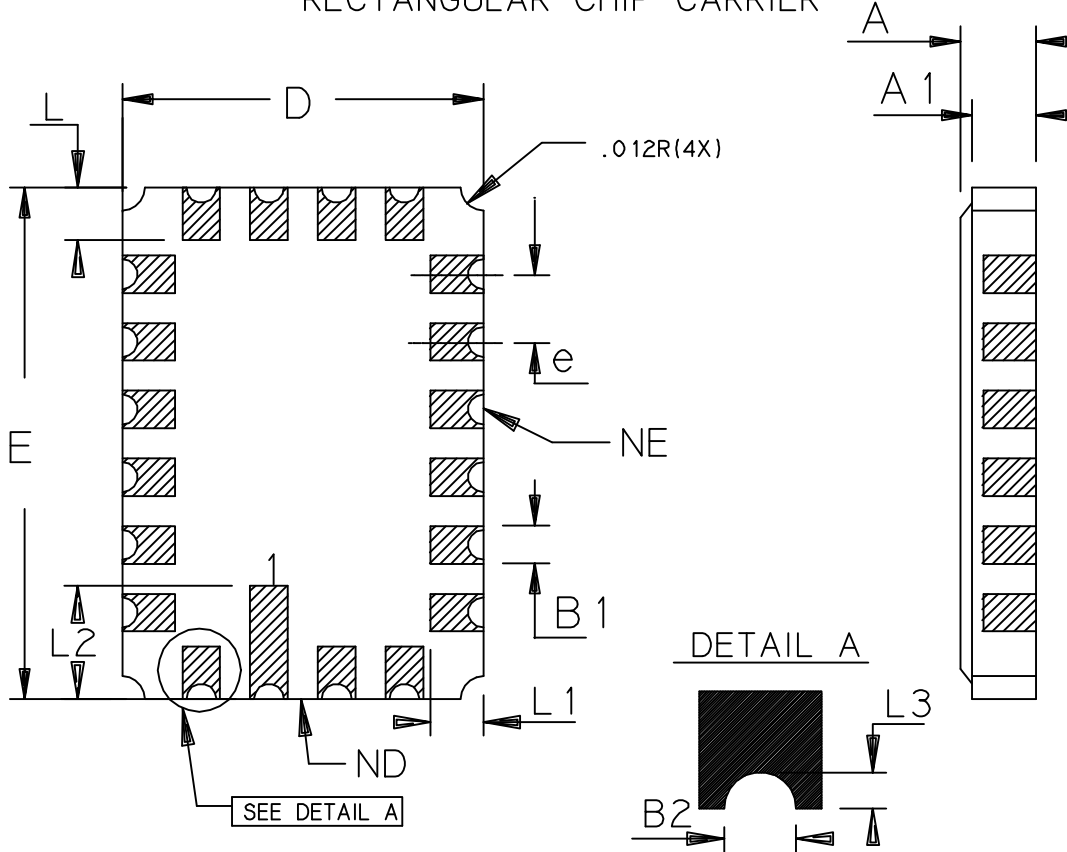
	MM		INCH	
	A	1.52	3.05	.060
A1	1.27	2.23	.050	.088
B1	0.56	0.71	.022	.028
B2	0.15	0.56	.006	.022
D	7.11	7.75	.280	.305
E	10.67	11.18	.420	.440
e	1.27 BSC		.050 BSC	
L1	1.14	1.40	.045	.055
L2	1.14	1.40	.045	.055
L3	0.08	0.38	.003	.015
ND/NE	4/6		4/6	

COMPLIANT MIL STD 1835 (C13)

CODE : 4G

REV : C | DATE : 19-10-92

20 LDS .050 CENTER LEADLESS
RECTANGULAR CHIP CARRIER



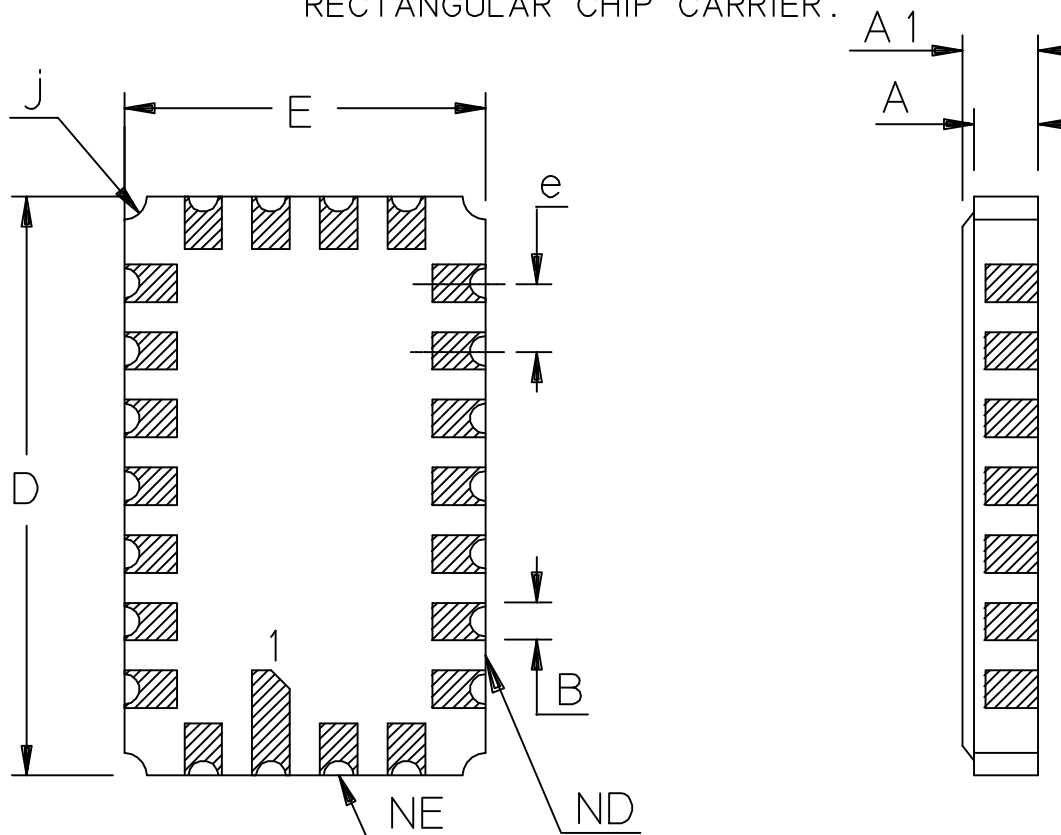
	MM		INCH	
	A	1.52	3.05	.060
A1	1.27	2.23	.050	.088
B1	0.56	0.71	.022	.028
B2	0.15	0.56	.006	.022
D	7.11	7.75	.280	.305
E	10.67	11.18	.420	.440
e	1.27 BSC		.050 BSC	
L1	1.14	1.40	.045	.055
L2	1.14	1.40	.045	.055
L3	0.08	0.38	.003	.015
ND/NE	4/6		4/6	

COMPLIANT MIL STD 1835 (C13)

CODE : 4G

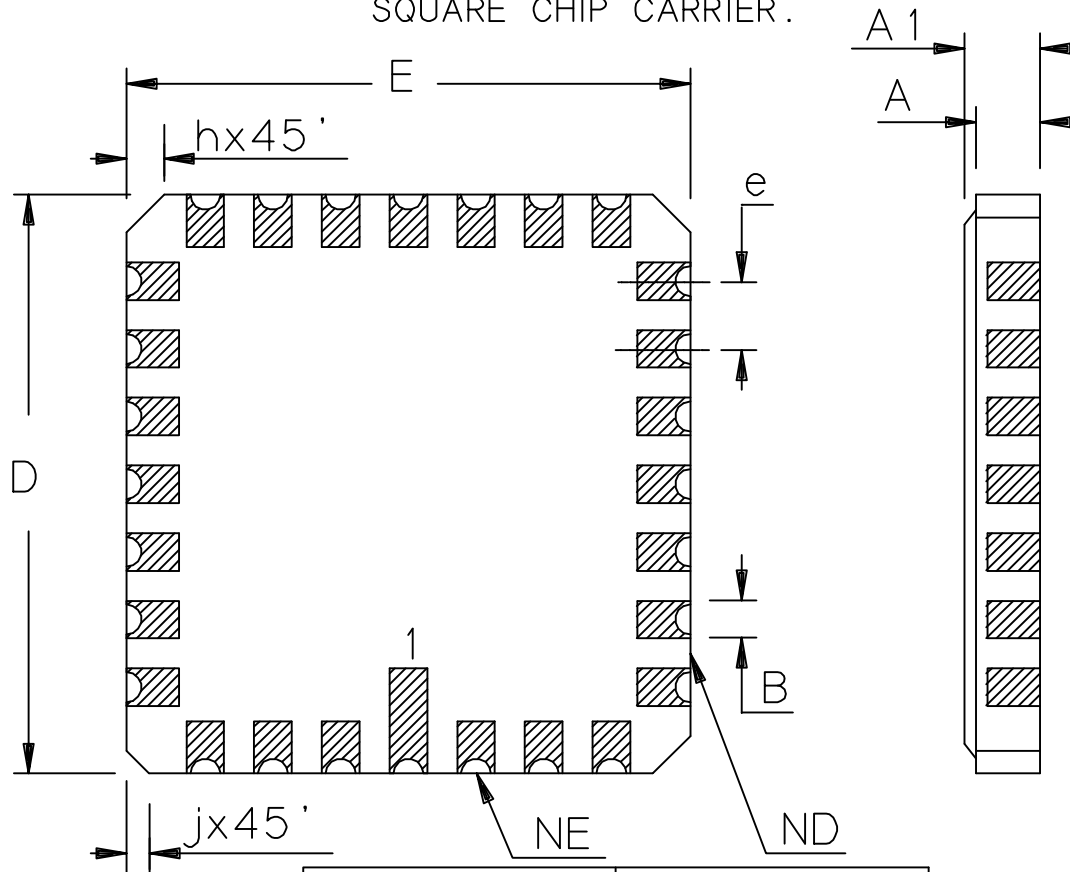
REV : F | DATE : 19-10-92

22 LDS .050 CENTER LEADLESS
RECTANGULAR CHIP CARRIER.



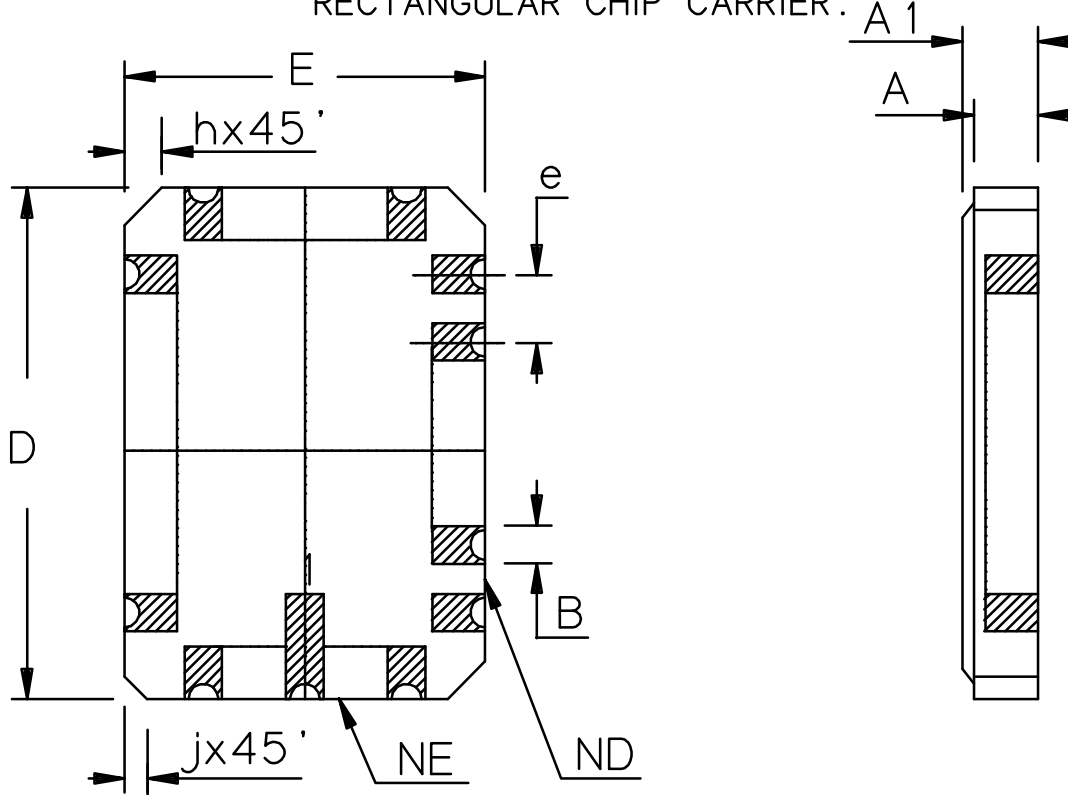
	MM		INCH	
A	1.37	1.67	.054	.066
A1	1.62	1.93	.064	.076
B	0.15	-	.006	-
D	12.31	12.57	.485	.495
E	7.24	7.49	.285	.295
e	1.27	BSC	.050	BSC
h				
j	0.30	RAD	.012	RAD
ND	7		7	
NE	4		4	
PKG STD	- 00 -			

28 LDS .050 CENTER LEADLESS
SQUARE CHIP CARRIER.



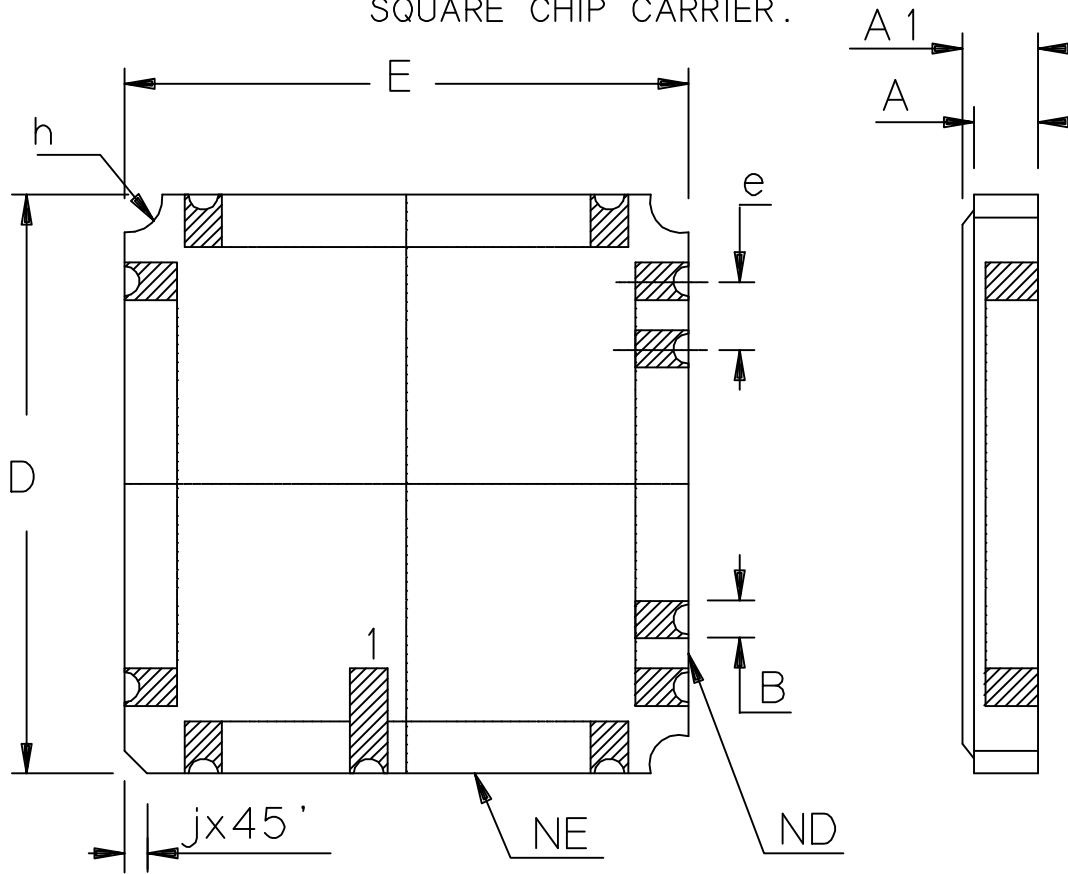
	MM		INCH	
A	1.35	1.70	.053	.067
A1	1.60	2.03	.063	.080
B	0.635 TYP		.025 TYP	
D	11.30	11.68	.445	.460
E	11.30	11.68	.445	.460
e	1.27	BSC	.050	BSC
h	1.02		.040	
j	0.51		.020	
ND	7		7	
NE	7		7	
PKG STD		- 01 -		

28 LDS .050 CENTER LEADLESS
RECTANGULAR CHIP CARRIER.



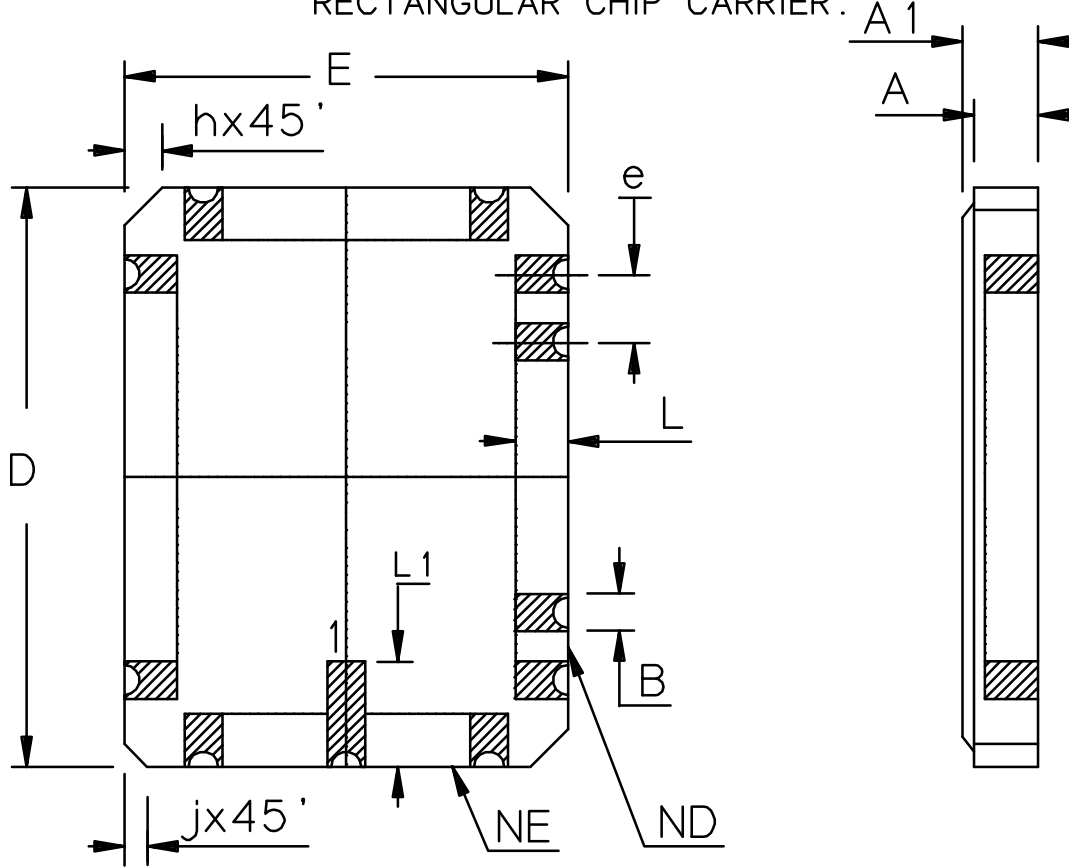
	MM		INCH	
A	1.37	1.65	.054	.065
A1	1.62	2.00	.064	.079
B	0.56	0.71	.022	.028
D	13.81	14.22	.544	.560
E	8.74	9.14	.344	.360
e	1.27	BSC	.050	BSC
h	0.64	REF	.025	REF
j	0.38	REF	.015	REF
ND	9		9	
NE	5		5	

32 LDS .040 CENTER LEADLESS
SQUARE CHIP CARRIER.



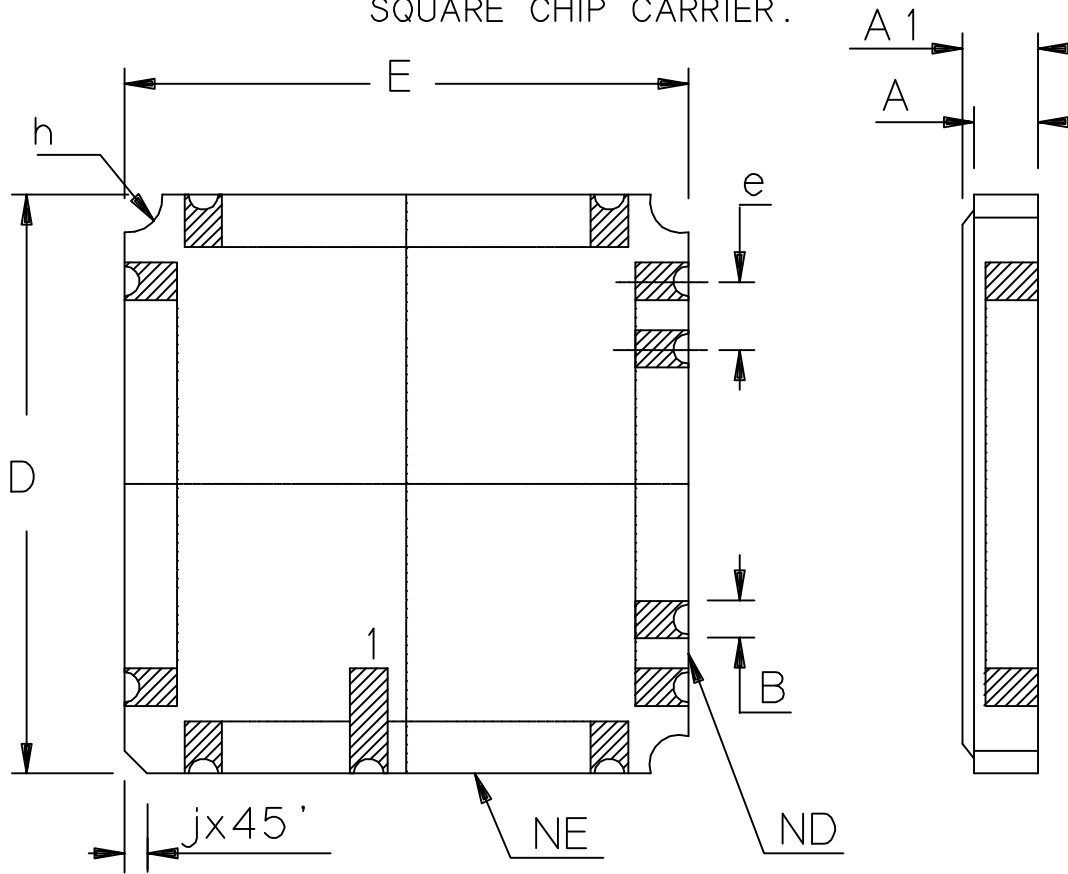
	MM		INCH	
A	1.47	1.83	.058	.072
A1	1.60	2.03	.063	.080
B	0.51	TYP	.020	TYP
D	10.54	10.92	.415	.430
E	10.54	10.92	.415	.430
e	1.02	BSC	.040	BSC
h	0.19	RAD	.008	RAD
j	0.51		.020	
ND	8		8	
NE	8		8	
PKG STD		- 01 -		

32 LDS .050 CENTER LEADLESS
RECTANGULAR CHIP CARRIER.



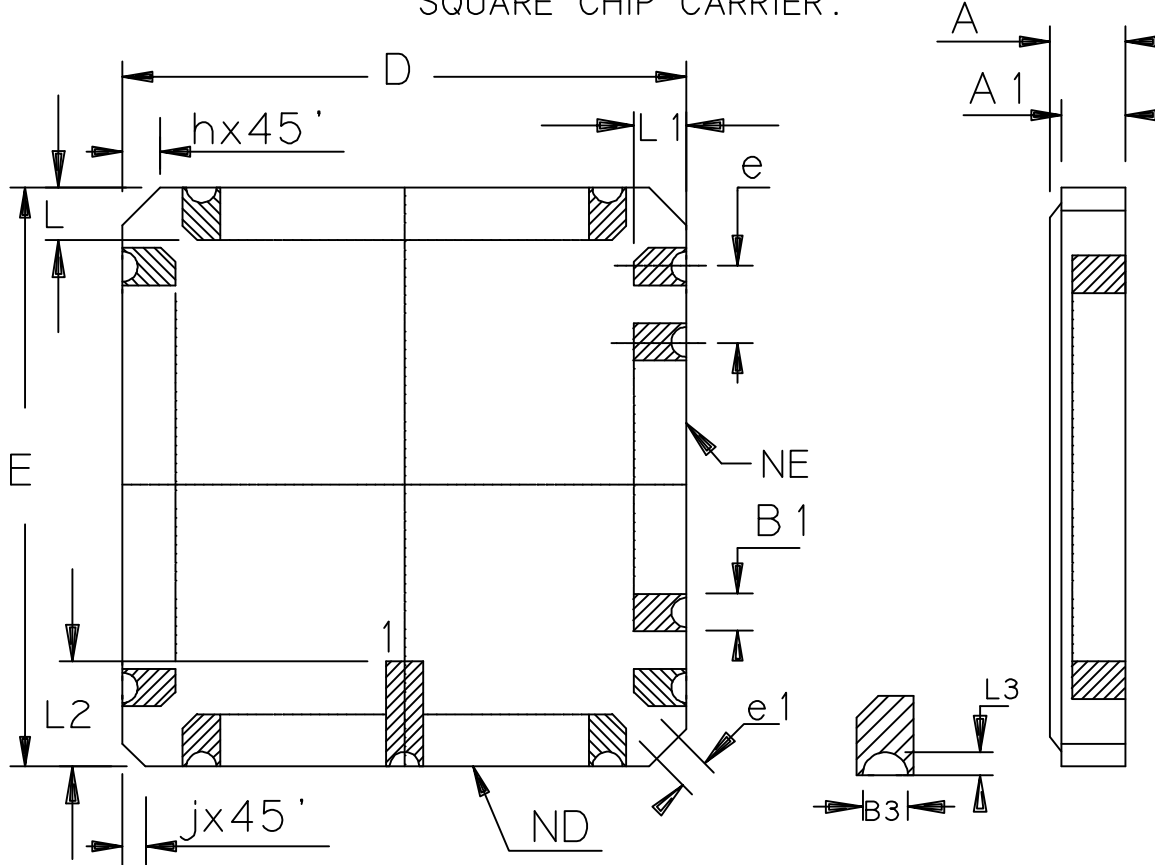
	MM		INCH	
	A	1.37	1.93	.054
A1	1.62	2.23	.064	.088
B	0.635	TYP	.025	TYP
D	13.81	14.22	.544	.560
E	11.30	11.63	.445	.458
e	1.27	BSC	.050	BSC
h	1.016	REF	.040	REF
j	0.51	REF	.020	REF
L	1.14	1.4	.045	.055
L1	1.95	2.36	.077	.093
ND	9		9	
NE	7		7	
PKG STD	- 01 -			

40 LDS .040 CENTER LEADLESS
SQUARE CHIP CARRIER.



	MM		INCH	
	A	1.47	1.80	.058
A1	1.85	2.26	.073	.089
B	0.51	TYP	.020	TYP
D	12.06	12.50	.475	.492
E	12.06	12.50	.475	.492
e	1.02	BSC	.040	BSC
h	0.19	RAD	.008	RAD
j	0.51		.020	
ND	10		10	
NE	10		10	
PKG STD		- 01 -		

44 LDS .050 CENTER LEADLESS SQUARE CHIP CARRIER.



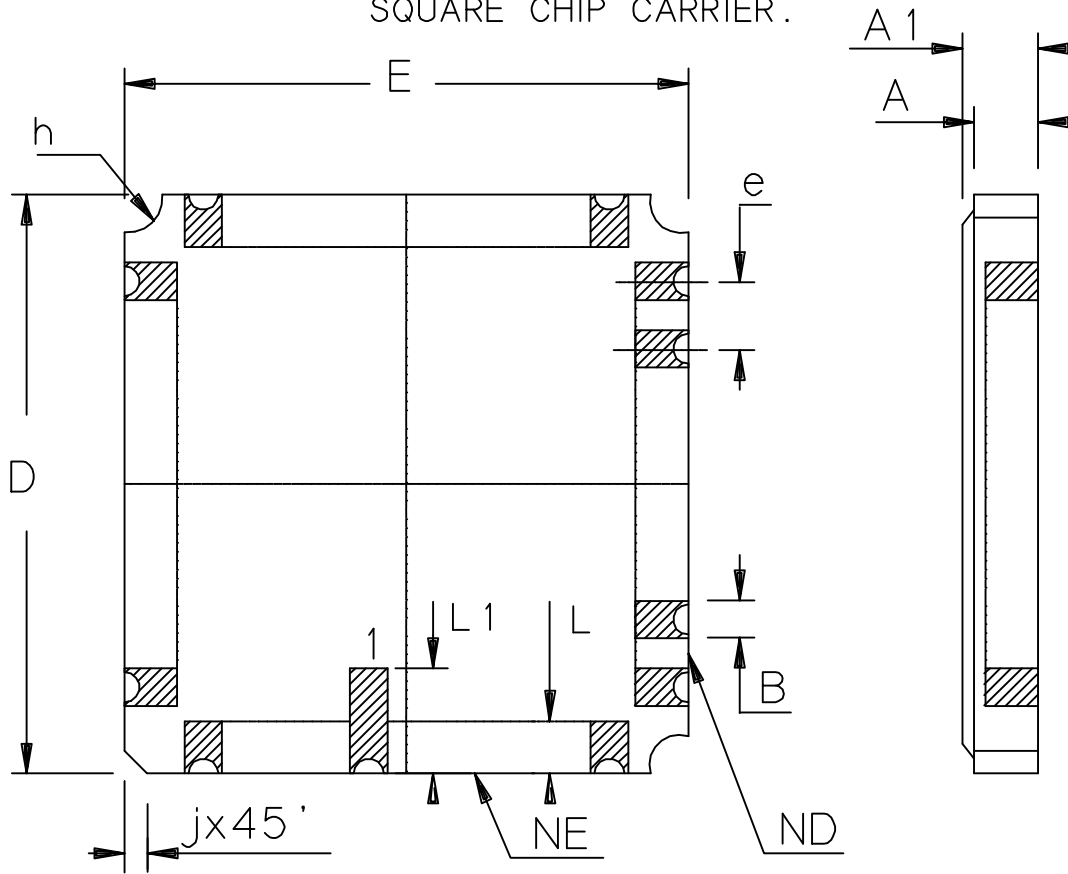
	MM		INCH	
	A	1.63	3.05	.064
A1	1.37	2.23	.054	.088
B1	0.56	0.71	.022	.028
B3	0.15	0.56	.006	.022
D/E	16.25	16.82	.640	.662
e	1.27 BSC		.050 BSC	
e1	0.38	-	.015	-
h	1.02 REF		.040 REF	
j	0.51 REF		.020 REF	
L/L1	1.14	1.40	.045	.055
L2	1.90	2.41	.075	.095
L3	0.08	0.38	.003	.015
ND/NE	11/11		11/11	

COMPLIANT MIL STD 1835 (C-5)

CODE : 4L

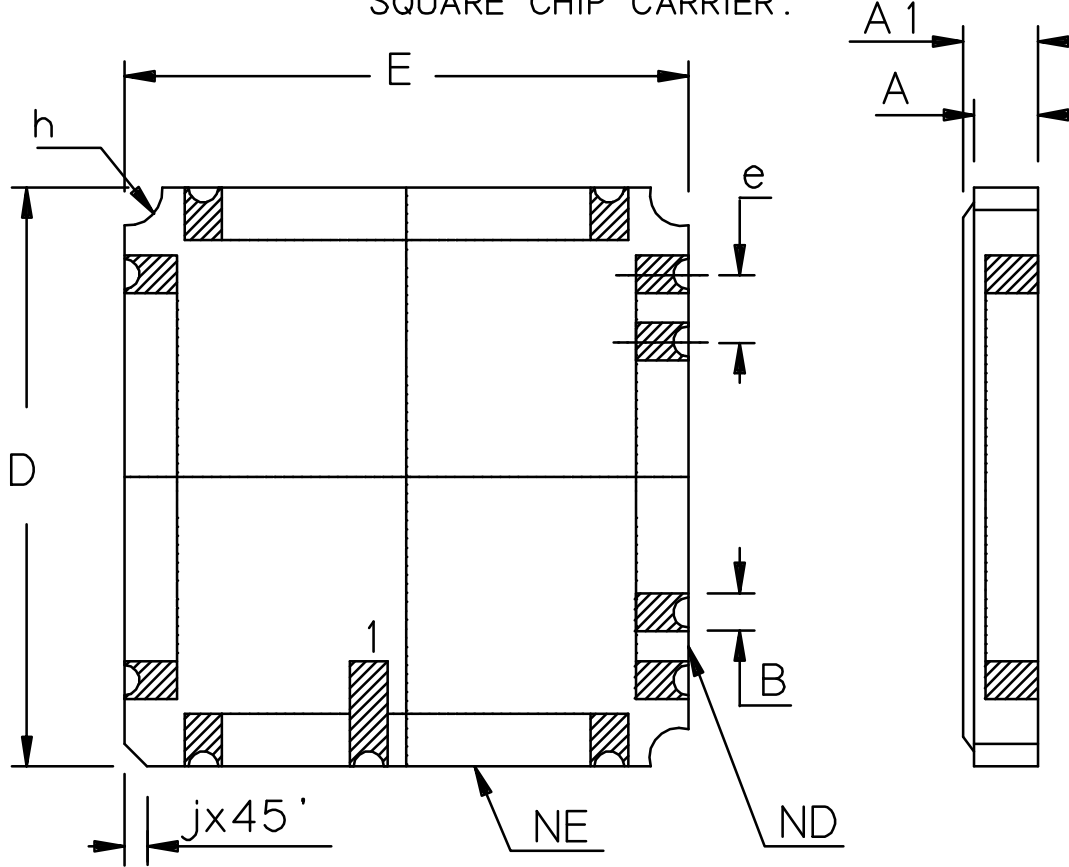
REV : D DATE : 02-11-92

48 LDS .040 CENTER LEADLESS
SQUARE CHIP CARRIER.



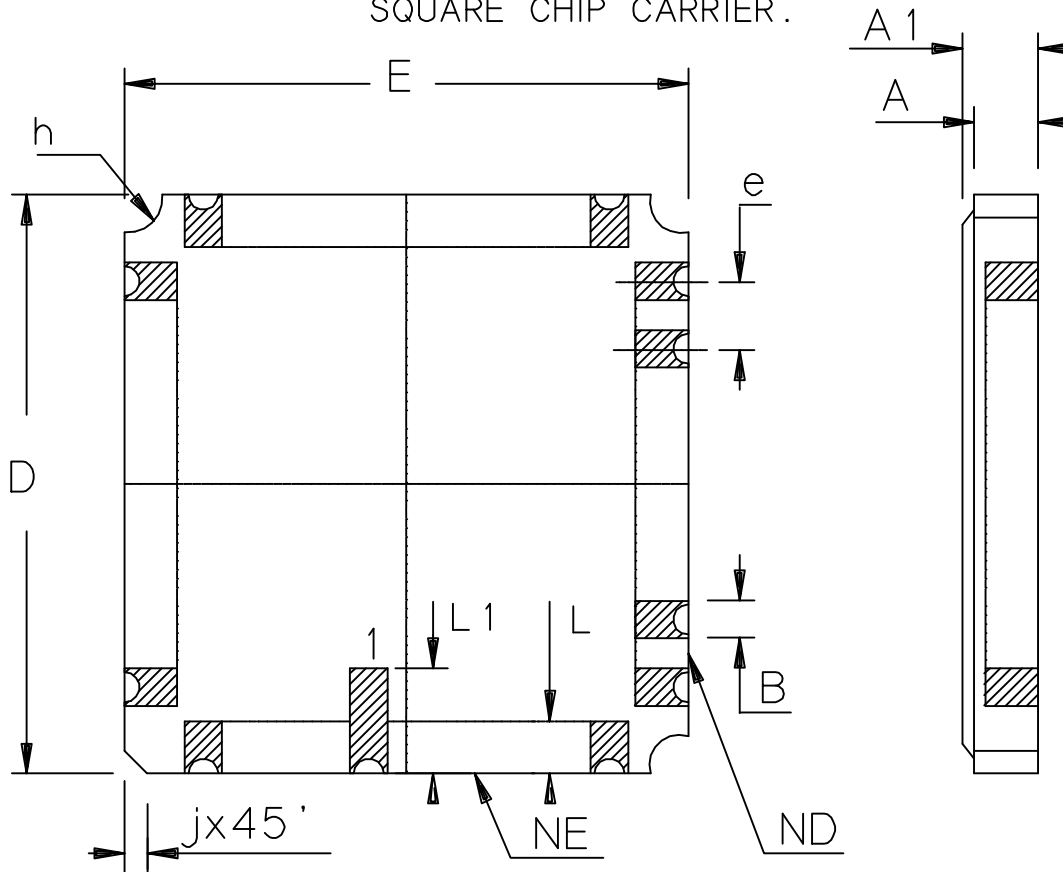
	MM		INCH	
A	1.70	2.11	.067	.083
A1	1.96	2.36	.077	.093
B	0.43	0.58	.017	.023
D	14.09	14.53	.555	.572
E	14.09	14.53	.555	.572
L	0.84	1.19	.033	.047
L1	1.91	2.41	.075	.095
e	1.02	BSC	.040	BSC
h	0.19	RAD	.008	RAD
j	0.50		.020	
ND	12		12	
NE	12		12	
PKG STD		- 01 -		

48 LDS .040 CENTER LEADLESS
SQUARE CHIP CARRIER.



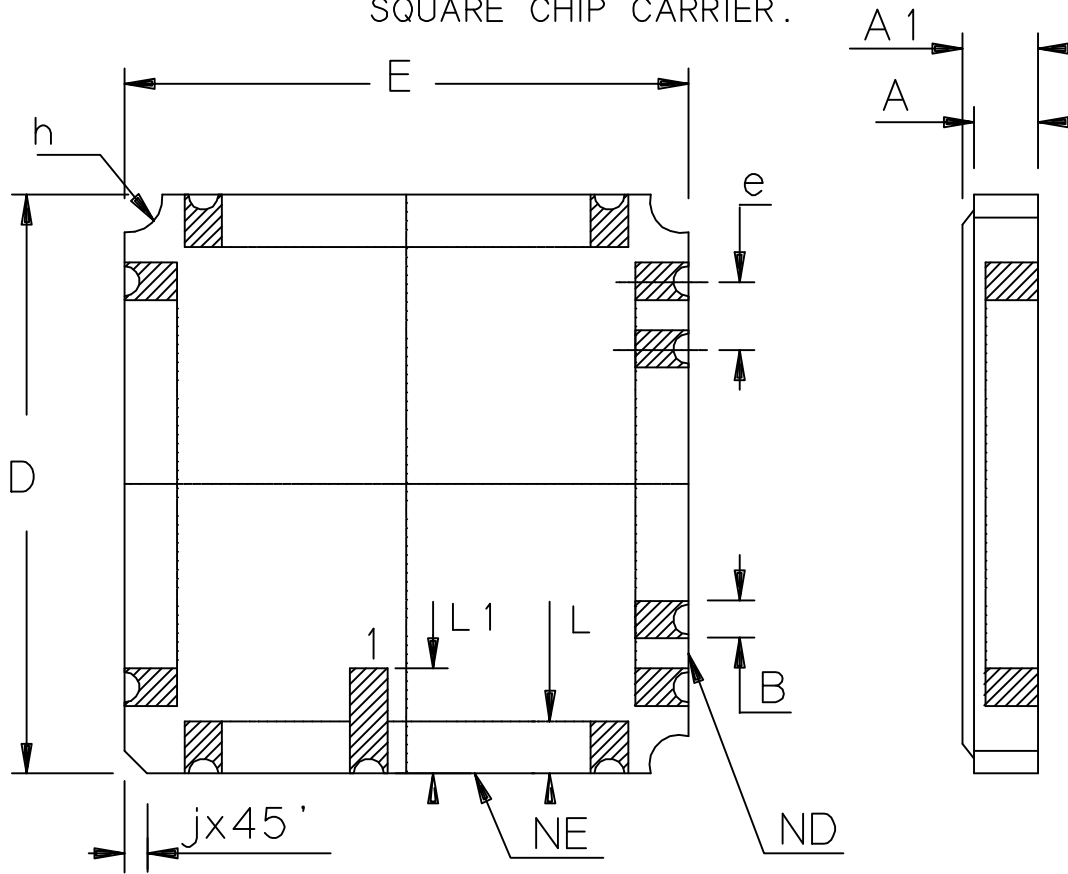
	MM		INCH	
A	1.47	1.83	.058	.072
A1	1.73	2.26	.068	.089
B	0.43	0.58	.017	.023
D	14.10	14.53	.555	.572
E	14.10	14.53	.555	.572
e	1.02	BSC	.040	BSC
h	0.19	RAD	.008	RAD
J	0.71		.028	
ND	12		12	
NE	12		12	
PKG STD		- 01 -		

64 LDS .040 CENTER LEADLESS
SQUARE CHIP CARRIER.



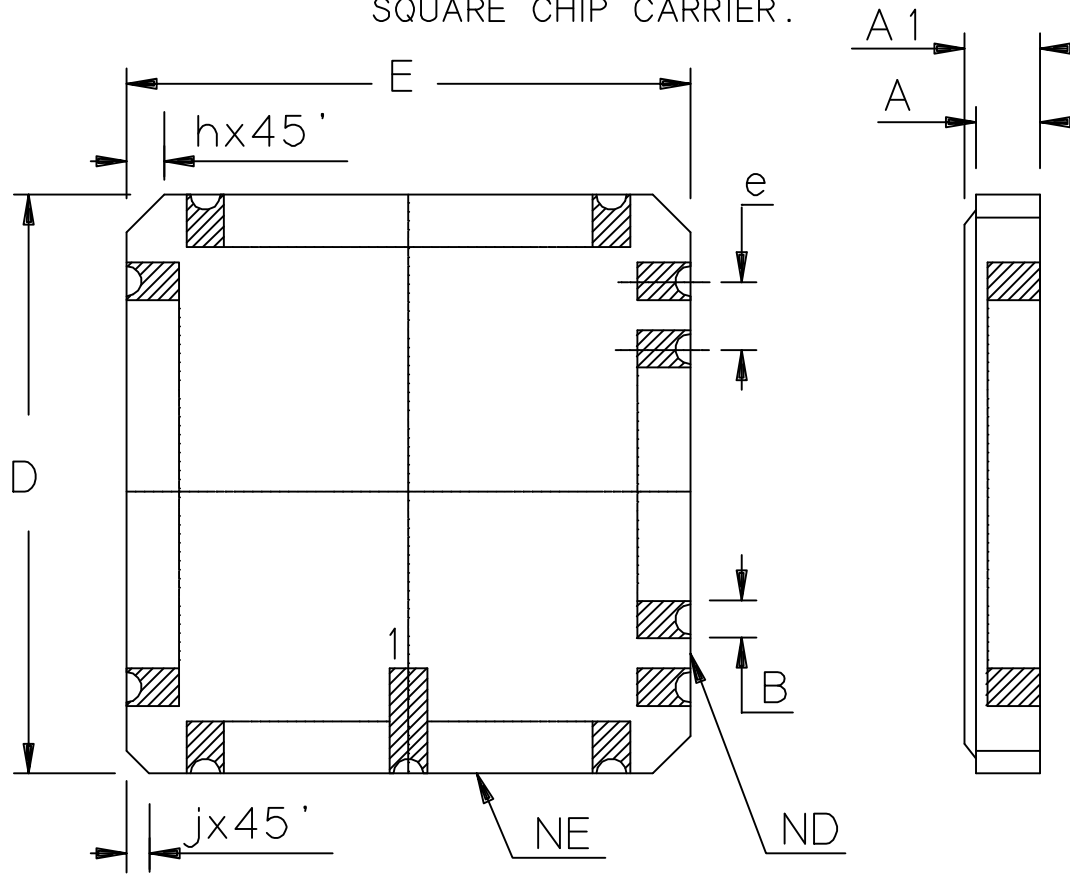
	MM		INCH	
A	1.22	1.52	.048	.060
A1	1.31	1.86	.054	.074
B	0.48	0.64	.019	.025
D	18.09	18.62	.712	.733
E	18.09	18.62	.712	.733
L	0.84	1.19	.033	.047
L1	1.91	2.41	.075	.095
e	1.02	BSC	.040	BSC
h	0.19	RAD	.008	RAD
j	0.71		.028	
ND	16		16	
NE	16		16	
PKG STD		- 01 -		

64 LDS .040 CENTER LEADLESS
SQUARE CHIP CARRIER.



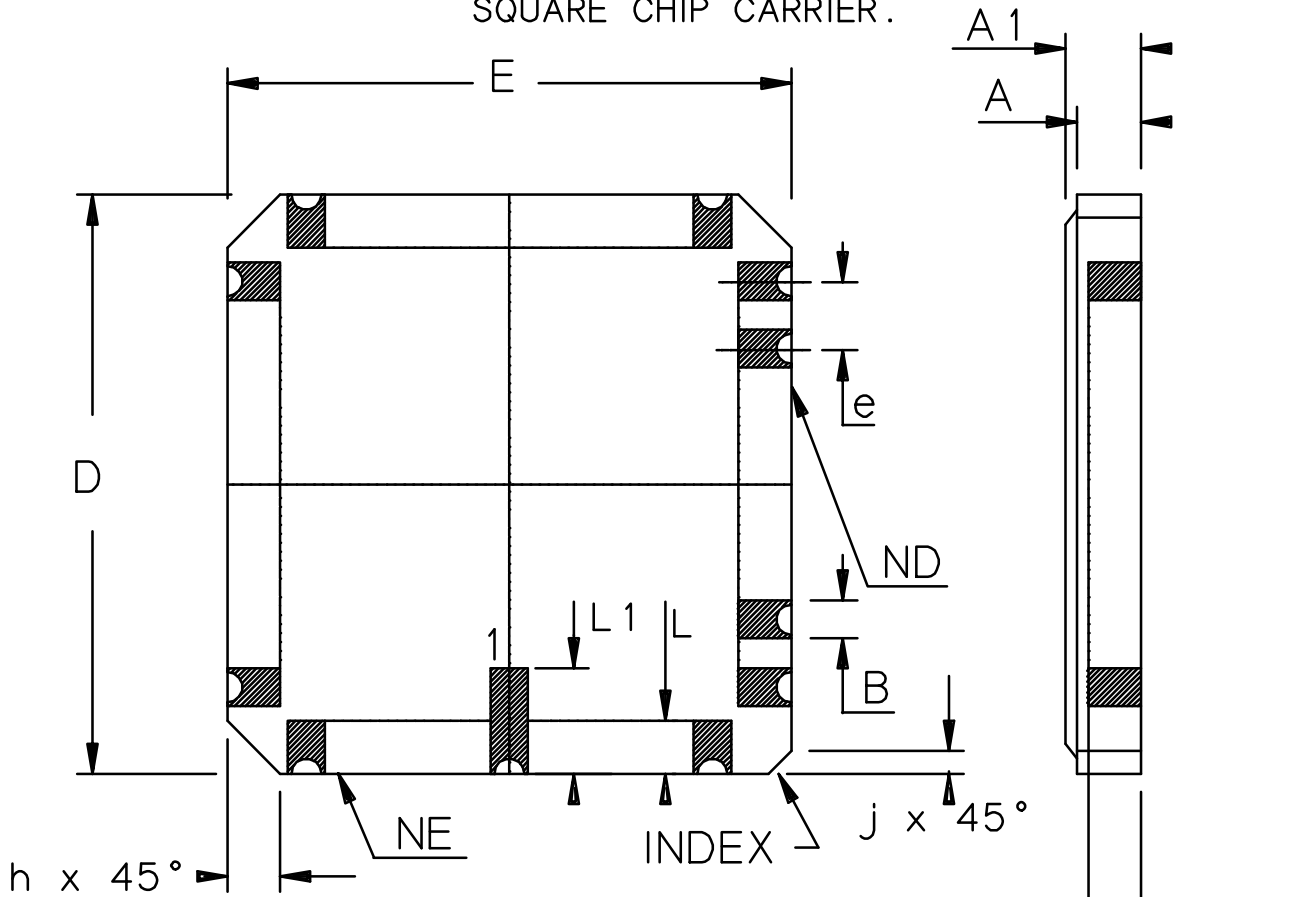
	MM		INCH	
A	1.47	1.83	.058	.072
A1	1.73	2.26	.068	.089
B	0.43	0.58	.017	.023
D	18.08	18.62	.712	.733
E	18.08	18.62	.712	.733
L	0.84	1.20	.033	.047
L1	1.91	2.41	.075	.095
e	1.02	BSC	.040	BSC
h	0.19	RAD	.008	RAD
j	0.51		.020	
ND	16		16	
NE	16		16	
PKG STD		- 01 -		

68 LDS .050 CENTER LEADLESS
SQUARE CHIP CARRIER.



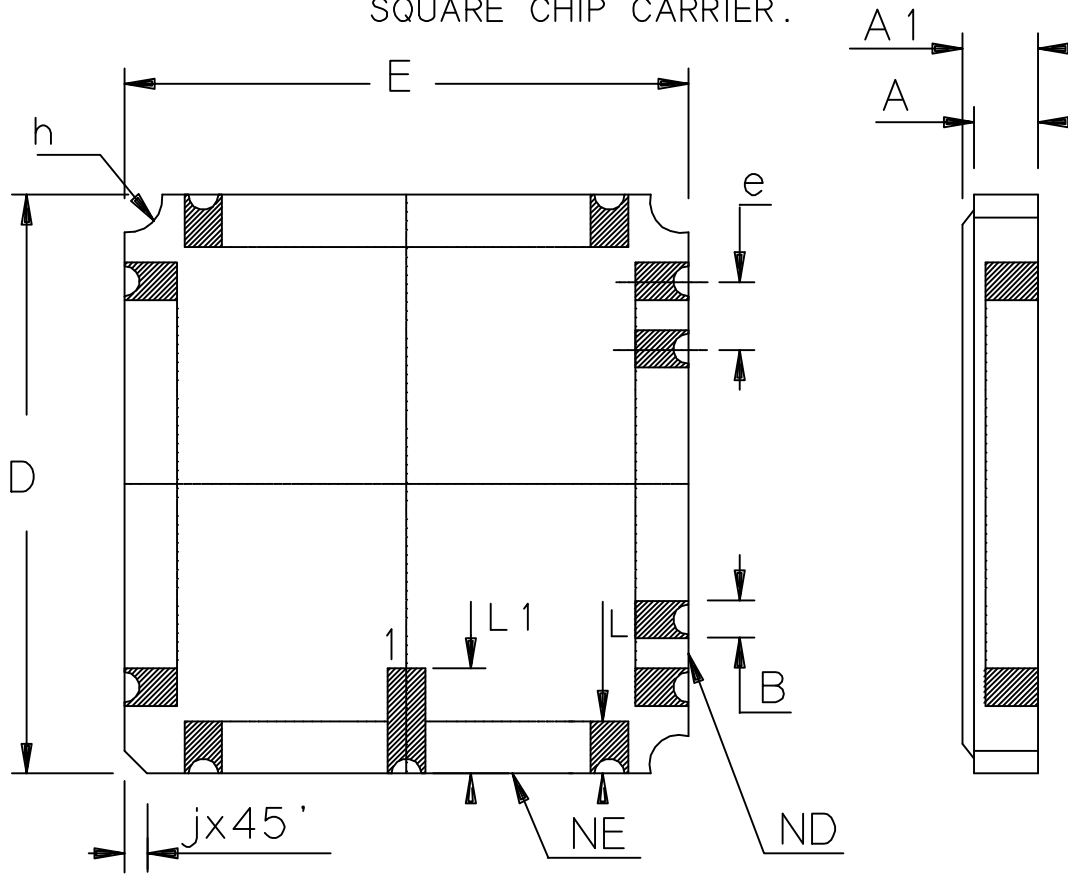
	MM		INCH	
A	1.83	2.24	.072	.088
A1	2.08	2.64	.082	.104
B	0.635	TYP	.025	TYP
D	23.88	24.51	.940	.965
E	23.88	24.51	.940	.965
e	1.27	BSC	.050	BSC
h	1.02		.040	
j	0.51		.020	
ND	17		17	
NE	17		17	
PKG STD		- 01 -		

68 LDS .025 CENTER LEADLESS SQUARE CHIP CARRIER.



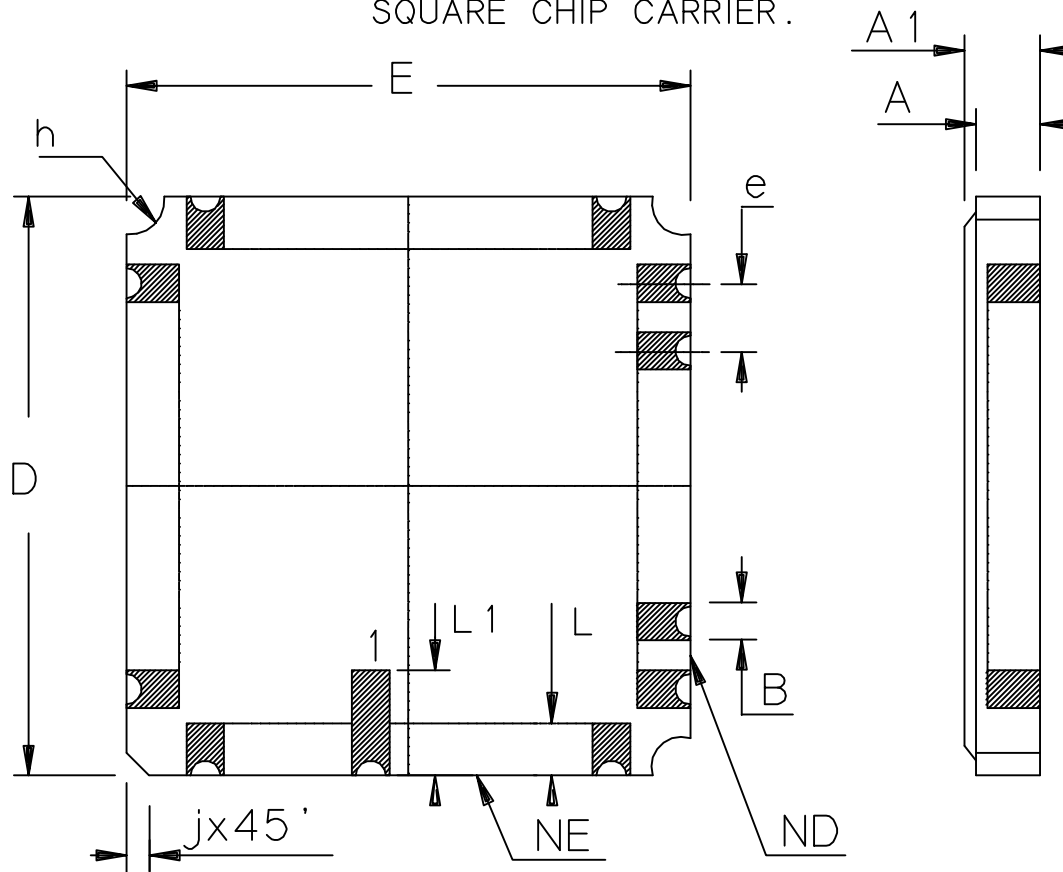
	MM		INCH	
A	1.60	1.96	.063	.077
A1	1.85	2.26	.073	.079
B	0.05	----	.020	----
D	14.07	14.37	.554	.566
E	14.07	14.37	.554	.566
j	0.51		.020	
h	1.02		.040	
L	1.14	1.40	.045	.055
L1	1.96	2.36	.077	.093
e	0.635	BSC	.025	BSC
m	1.14	1.40	.045	.055
ND	17		17	
NE	17		17	
PKG STD		- 01 -		

84 LDS .040 CENTER LEADLESS SQUARE CHIP CARRIER.



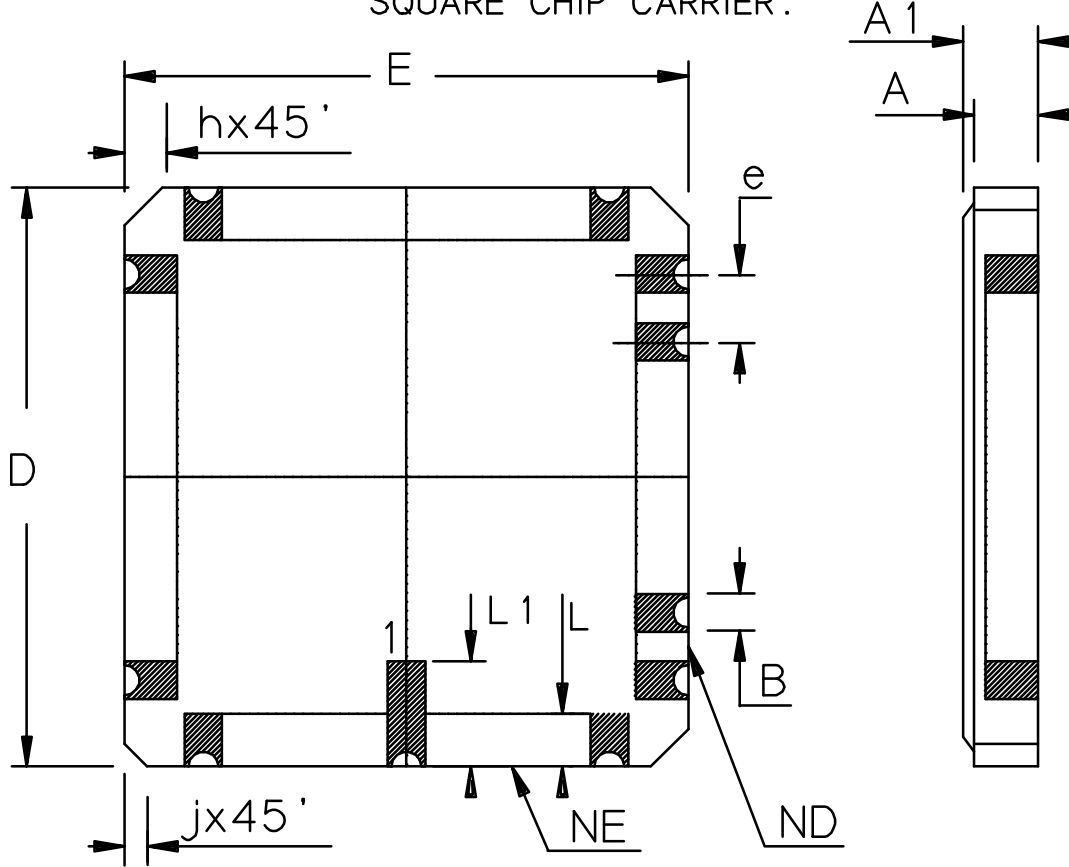
	MM		INCH	
	A	1.47	1.83	.058
A1	1.88	2.29	.074	.090
B	0.43	0.58	.017	.023
D	23.14	23.75	.911	.935
E	23.14	23.75	.911	.935
L	0.84	1.19	.033	.047
L1	1.90	2.41	.075	.095
e	1.02	BSC	.040	BSC
h	0.19	RAD	.008	RAD
j	0.51		.020	
ND	21		21	
NE	21		21	
PKG STD	- 01 -			

84 LDS .040 CENTER LEADLESS SQUARE CHIP CARRIER.



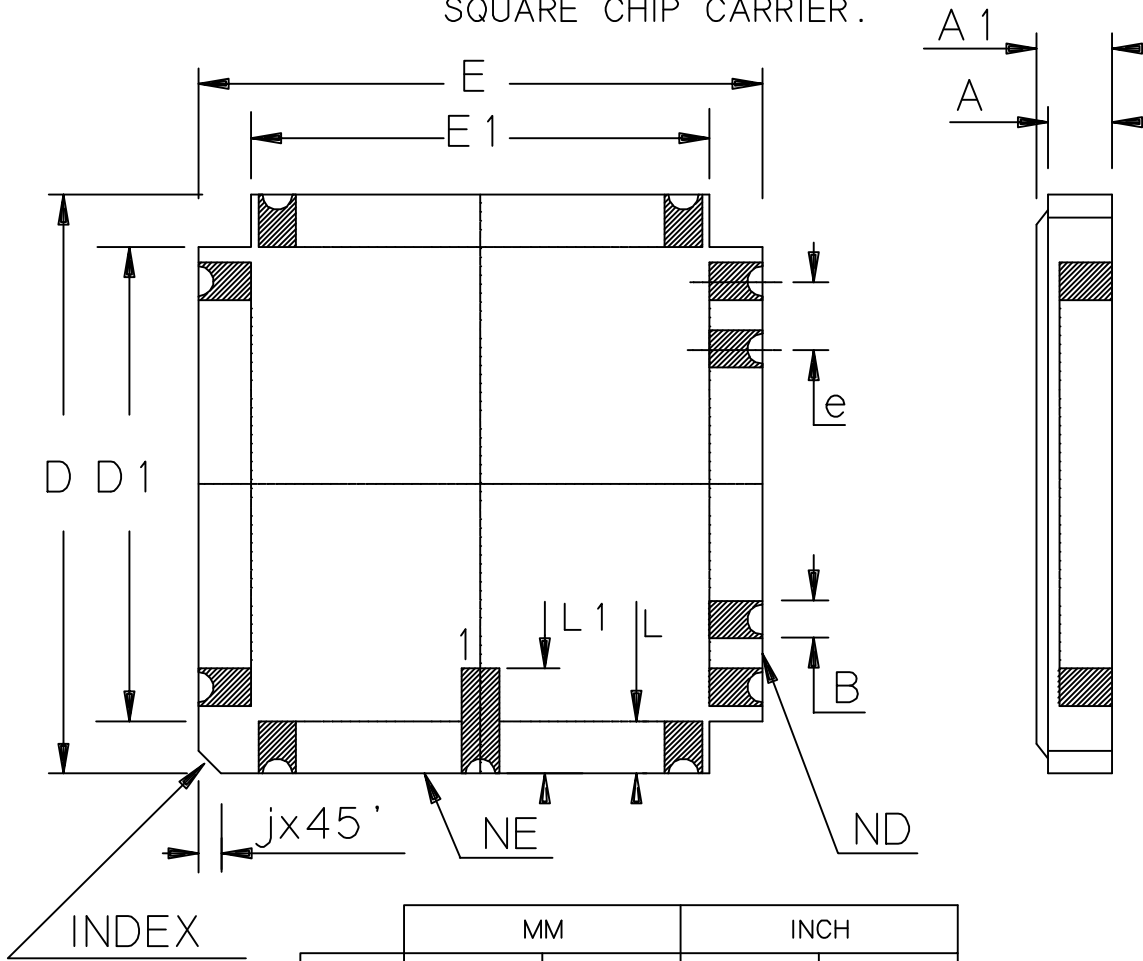
	MM		INCH	
A	1.60	1.96	.063	.077
A1	1.85	2.36	.073	.093
B	0.48	0.64	.019	.025
D	23.14	23.75	.911	.935
E	23.14	23.75	.911	.935
L	0.84	1.19	.033	.047
L1	1.78	2.29	.070	.090
e	1.02	BSC	.040	BSC
h	0.19	RAD	.008	RAD
j	0.51		.020	
ND	21		21	
NE	21		21	
PKG STD	- 01 -			

84 LDS .050 CENTER LEADLESS
SQUARE CHIP CARRIER.



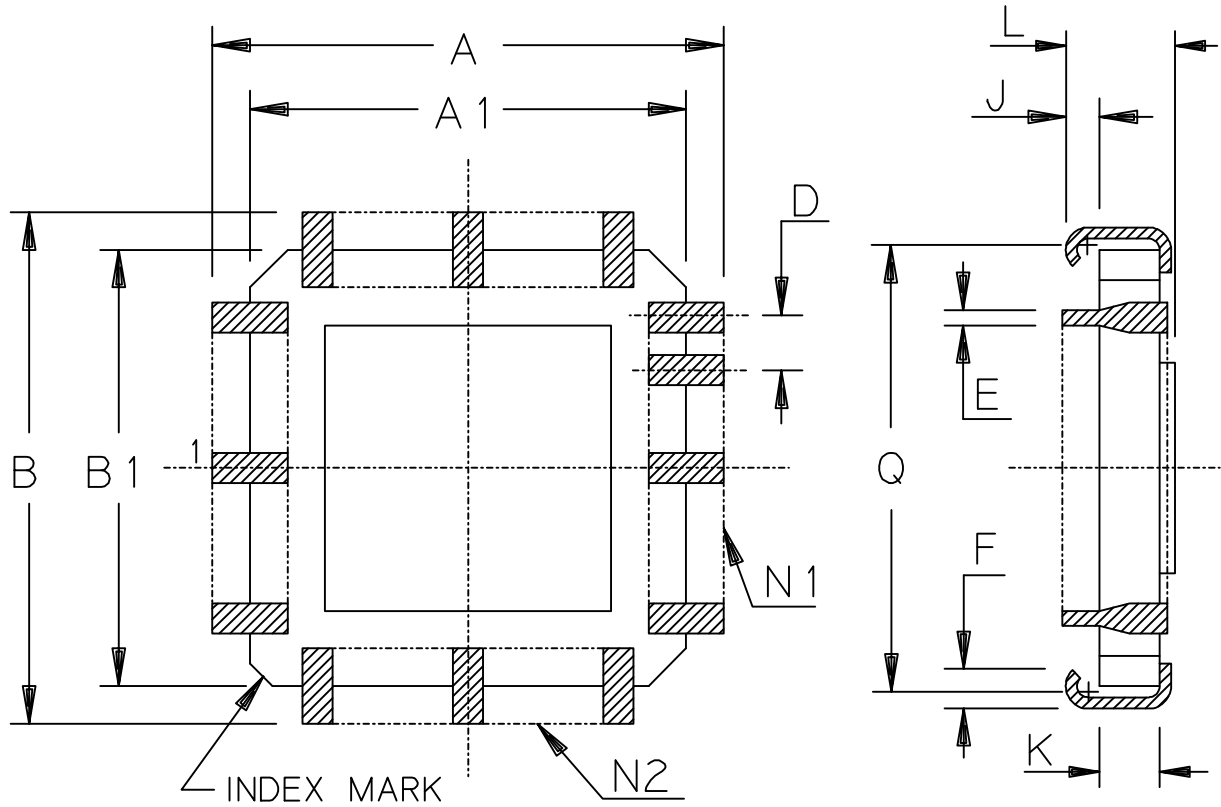
	MM		INCH	
	A	1.83	2.23	.072
A1	2.23	2.64	.088	.104
B	0.84	0.99	.033	.039
D	28.90	29.59	1.138	1.165
E	28.90	29.59	1.138	1.165
L	1.14	1.40	0.045	0.055
L1	2.20	2.72	0.087	0.107
e	1.27	BSC	.050	BSC
h	1.02		.040	
j	0.51		.020	
ND	21		21	
NE	21		21	
PKG STD	- 01 -			

100 LDS .050 CENTER LEADLESS
SQUARE CHIP CARRIER.



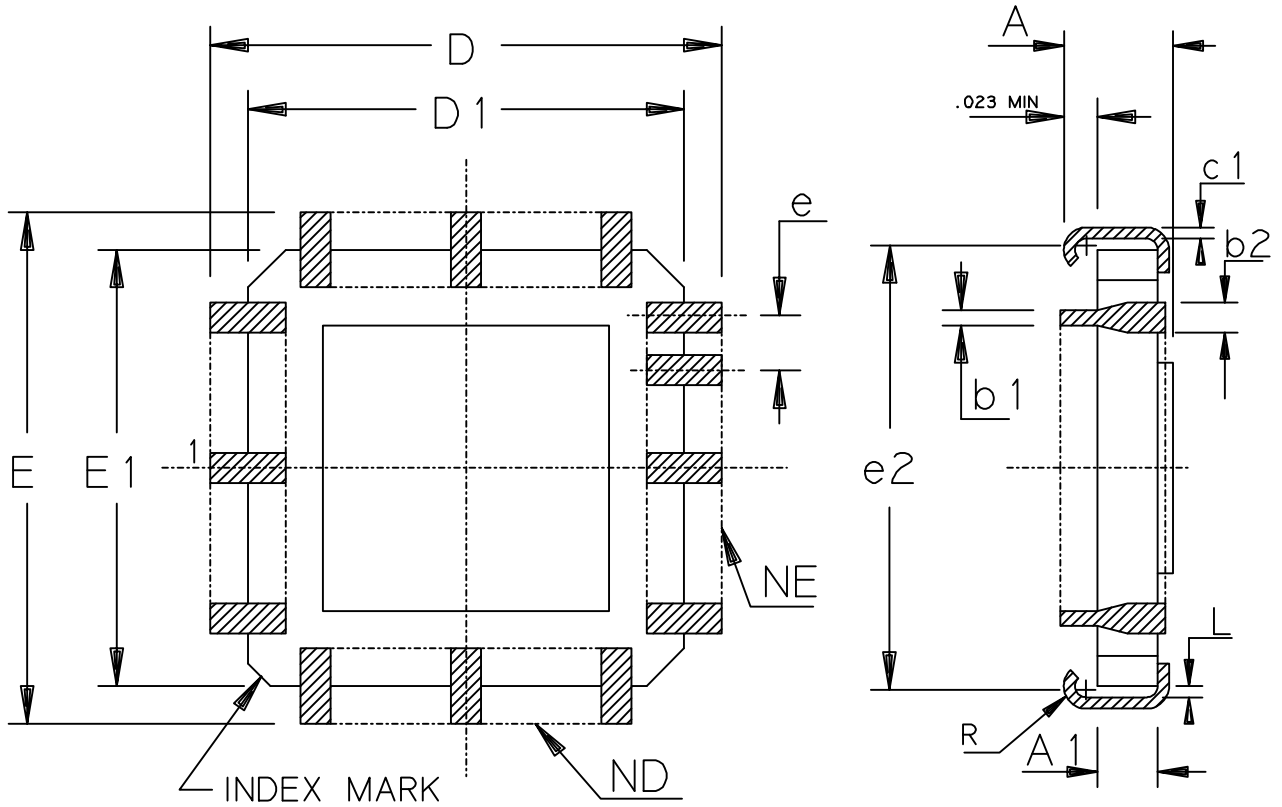
	MM		INCH	
A	1.95	2.36	.077	.093
A1	2.21	2.77	.087	.109
B	0.94	1.04	.037	.041
D	34.01	34.57	1.339	1.361
D1	31.47	32.02	1.239	1.261
E	34.01	34.57	1.339	1.361
E1	31.47	32.02	1.239	1.261
L	1.14	1.40	.045	.055
L1	1.95	2.36	.077	.093
e	1.27	BSC	.050	BSC
j	0.51		0.20	
ND	25		25	
NE	25		25	
PKG STD		- 01 -		

28 LEADS CLCC LEADED J TYPE



	MM		INCH	
	A-B	12.29	12.55	.484
A1-B1	11.22	11.63	.442	.458
D	1.27	BSC	.050	BSC
E	0.51	TYP	.020	TYP
F	1.52	REF	.060	REF
J	0.76	1.27	.030	.050
K	1.50	1.80	.059	.071
L	2.64	3.22	.104	.127
Q	10.41	11.43	.410	.450
N1	7		7	
N2	7		7	
PKG STD	-01-			

44 LEADS CLCC LEADED J TYPE



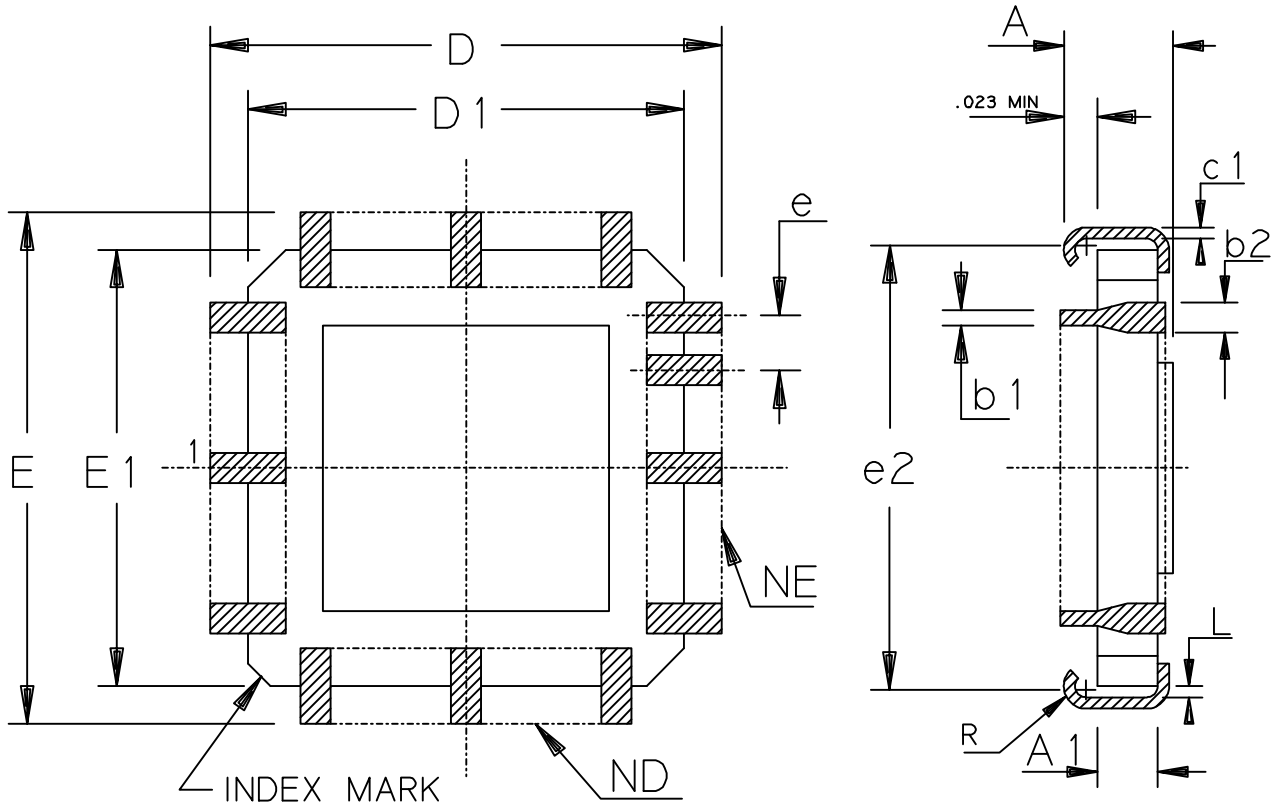
	MM		INCH	
	A	2.95	4.82	.115
A1	1.65 NOM		.065 NOM	
b1	0.33	0.50	.013	.020
b2	0.55	0.88	.022	.035
c1	0.17	0.25	.007	.010
D/E	17.14	17.78	.675	.700
D1/E1	15.74	16.76	.620	.660
e	1.27 BSC		.050 BSC	
e2	16.00 BSC		.630 BSC	
L	0.12	-	.005	-
ND/NE	11		11	
R	0.50	1.01	.020	.040

COMPLIANT MIL 1835 (C-J4)

CODE : JL

REV : E DATE : 09-02-93

44 LEADS CLCC LEADED J TYPE



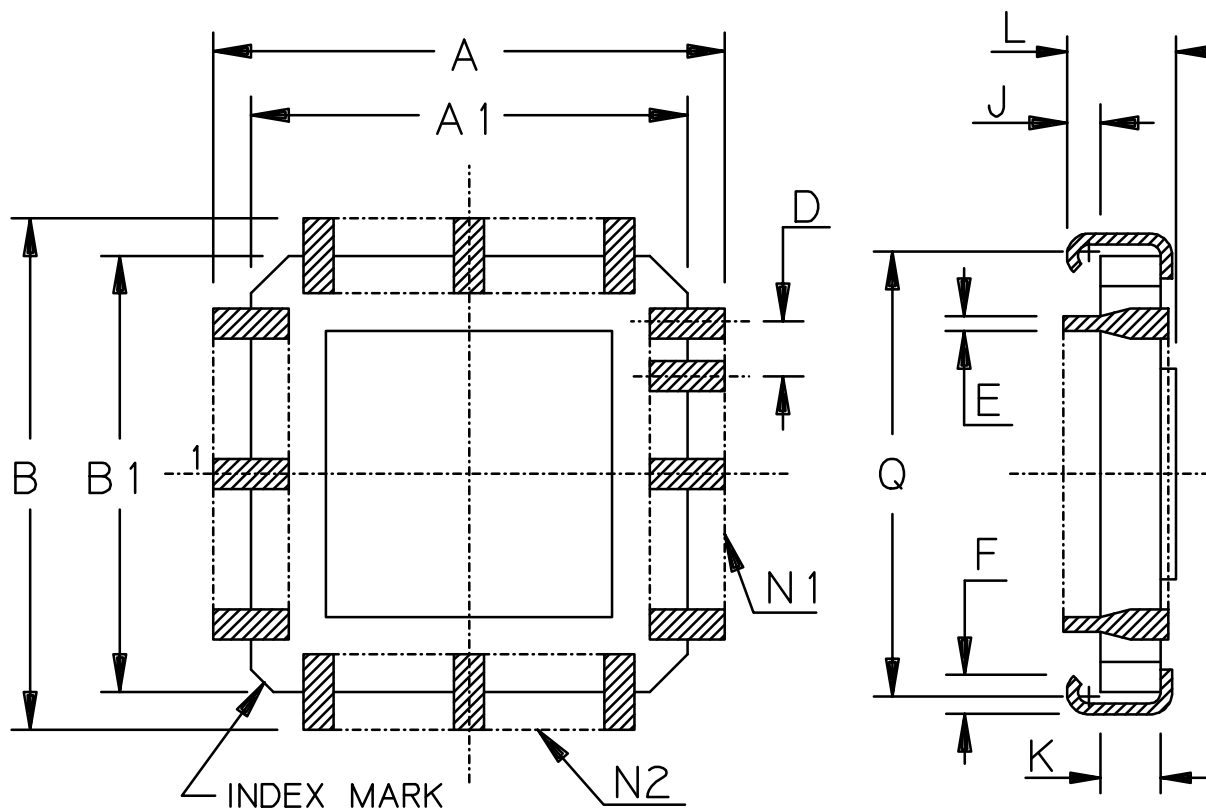
	MM		INCH	
A	2.95	4.82	.115	.190
A1	1.65 NOM		.065 NOM	
b1	0.33	0.50	.013	.020
b2	0.55	0.88	.022	.035
c1	0.17	0.25	.007	.010
D/E	17.14	17.78	.675	.700
D1/E1	15.74	16.76	.620	.660
e	1.27 BSC		.050 BSC	
e2	16.00 BSC		.630 BSC	
L	0.12	-	.005	-
ND/NE	11		11	
R	0.50	1.01	.020	.040

COMPLIANT MIL 1835 (C-J4)

CODE : JL

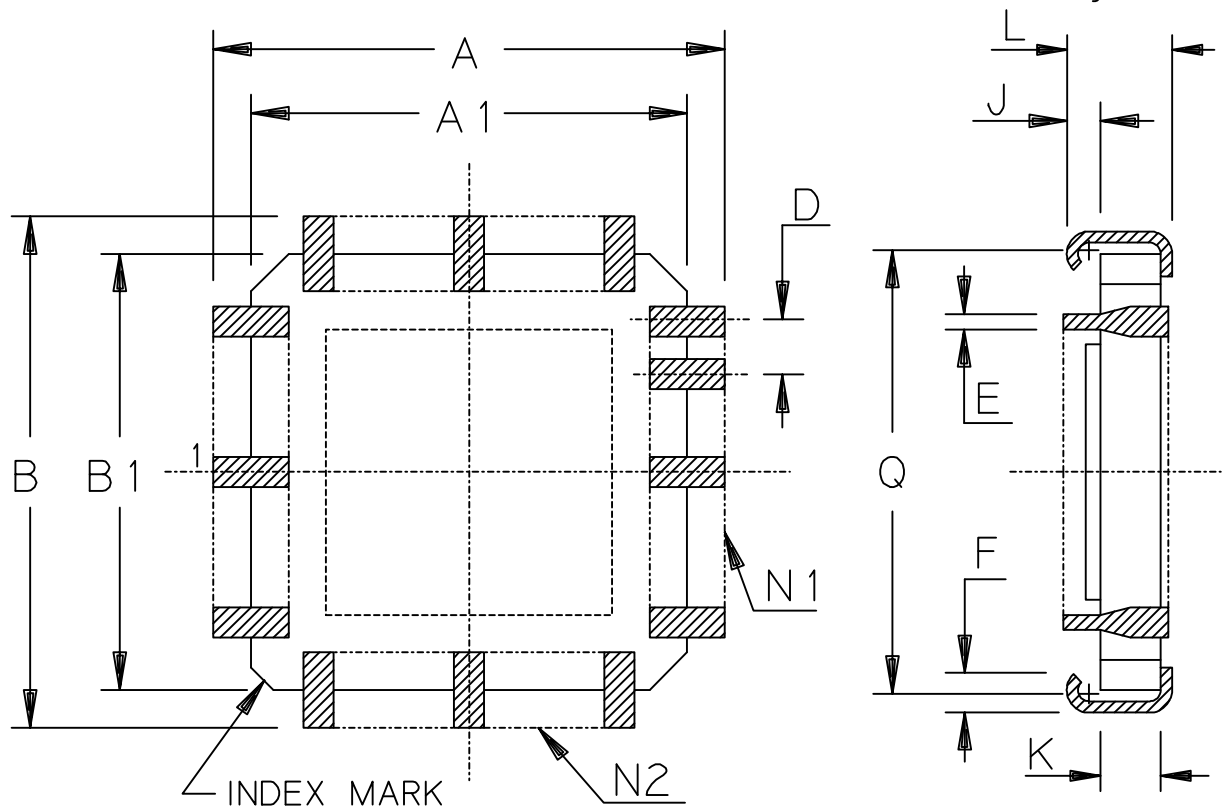
REV : E DATE : 09-02-93

68 LEADS CLCC LEADED J TYPE



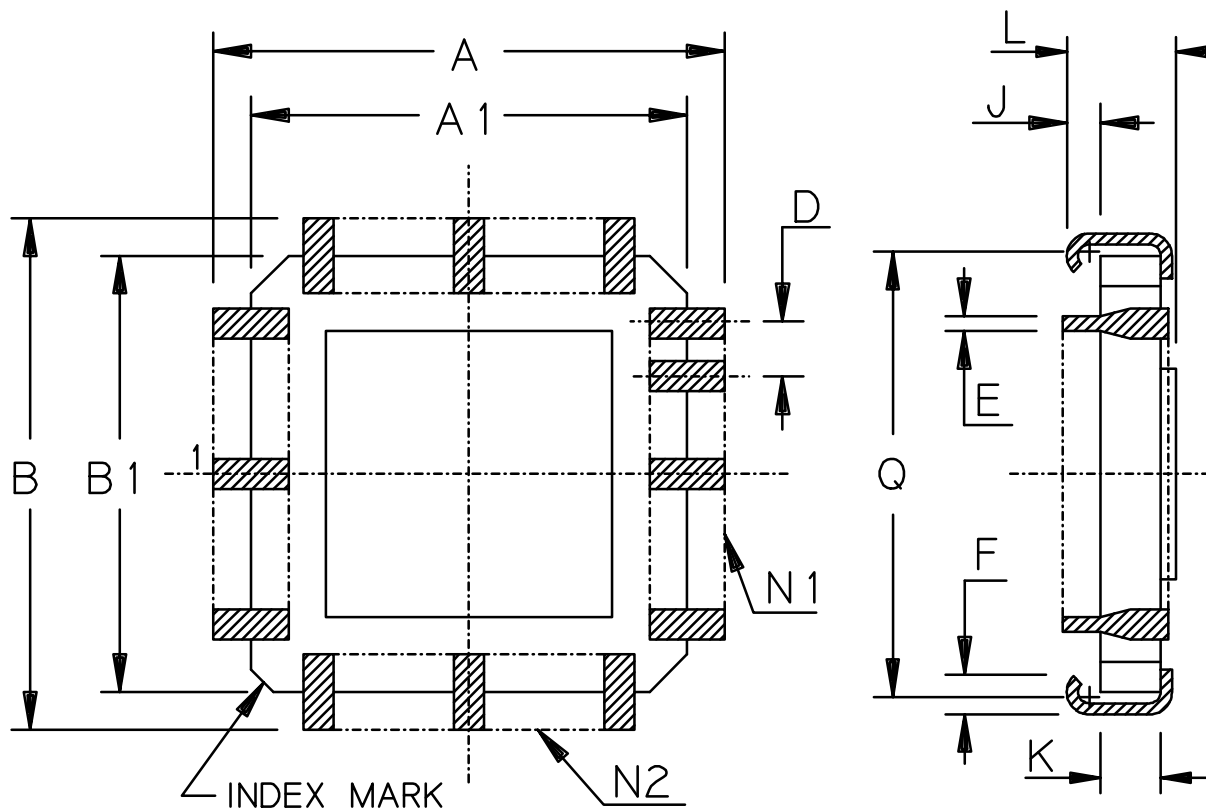
	MM		INCH	
	A-B	25.02	25.27	.985
A1-B1	23.87	24.38	.940	.960
D	1.27	BSC	.050	BSC
E	0.51	TYP	.020	TYP
F	1.52	2.03	.060	.080
J	0.63	1.14	.025	.045
K	1.50	1.80	.059	.071
L	2.54	3.25	.100	.128
Q	23.11	24.13	.910	.950
N1	17		17	
N2	17		17	
PKG STD	-02-			

68 LEADS CLCC LEADED J TYPE Cavity Down



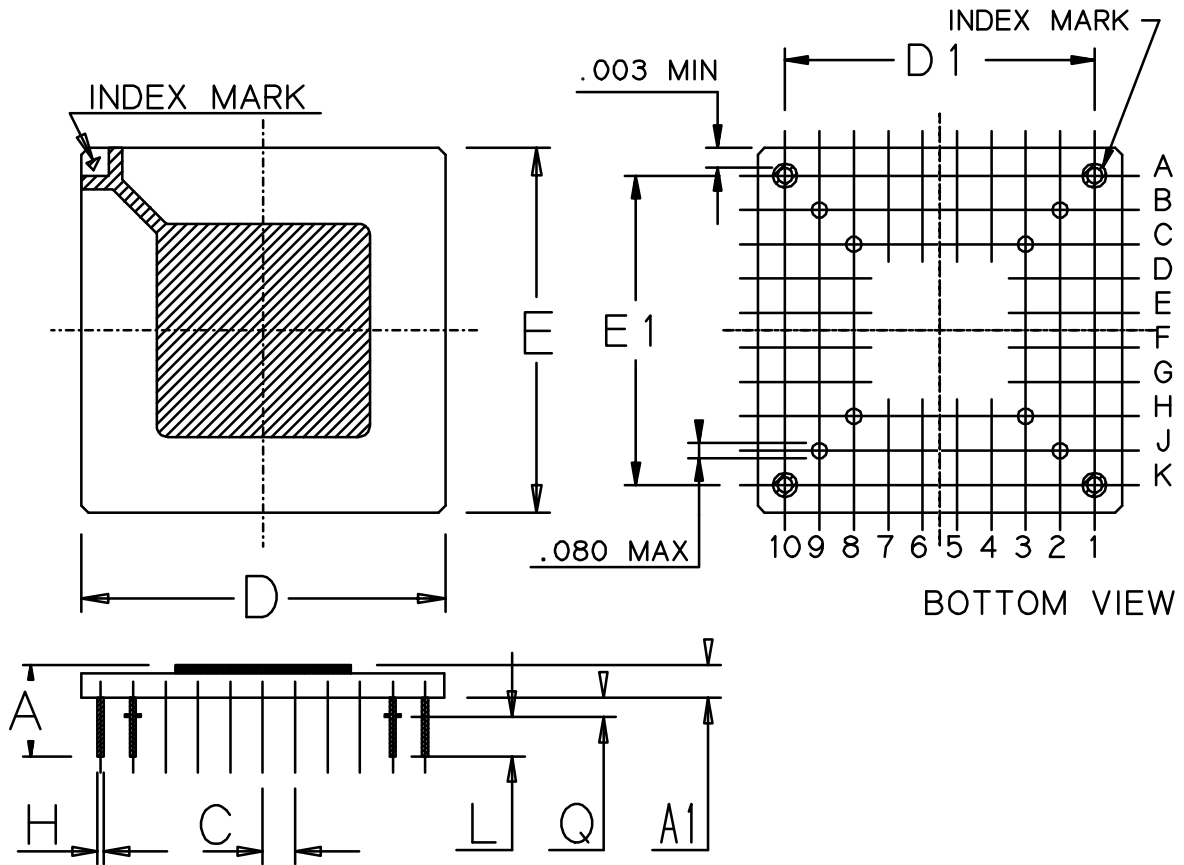
	MM		INCH	
	A-B	25.02	25.27	.985
A1-B1	23.88	24.38	.940	.960
D	1.27	BSC	.050	BSC
E	0.51	TYP	.020	TYP
F	1.52	2.03	.060	.080
J	0.63	1.14	.025	.045
K	1.50	1.80	.059	.071
L	2.29	3.23	.090	.127
Q	23.11	24.13	.910	.950
N1	17		17	
N2	17		17	
PKG STD	-02-			

84 LEADS CLCC LEADED J TYPE



	MM		INCH	
	A-B	30.10	30.35	1.185
A1-B1	28.96	29.46	1.140	1.160
D	1.27	BSC	.050	BSC
E	0.51	REF	.020	REF
F	1.52	REF	.060	REF
J	0.63	1.14	.025	.045
K	1.50	1.80	.059	.071
L	2.39	3.25	.099	.131
Q	28.19	29.21	1.110	1.150
N1	21		21	
N2	21		21	
PKG STD	-01-			

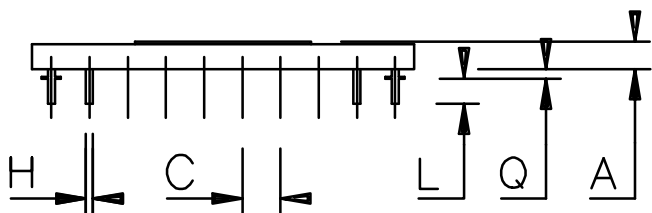
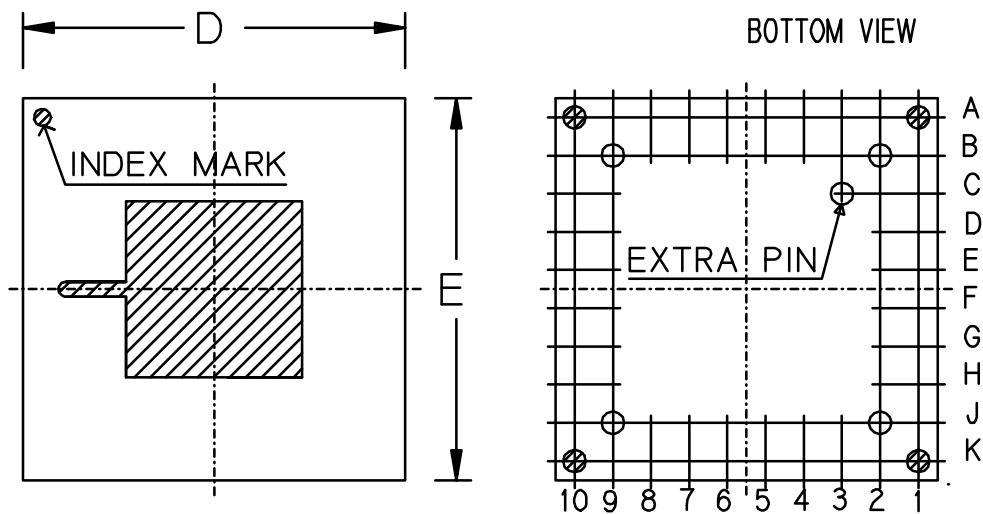
84 PIN PGA



	MM		INCH	
	Min	Max	Min	Max
A	5.46	8.76	.215	.345
A1	1.78	3.68	.070	.145
C	2.54 BSC		.100 BSC	
D/E	26.42	27.43	1.040	1.080
D1/E1	22.86 BSC		.900 BSC	
H	0.40	0.51	.016	.020
L	3.05	3.56	.120	.140
Q	1.02	1.52	.040	.060

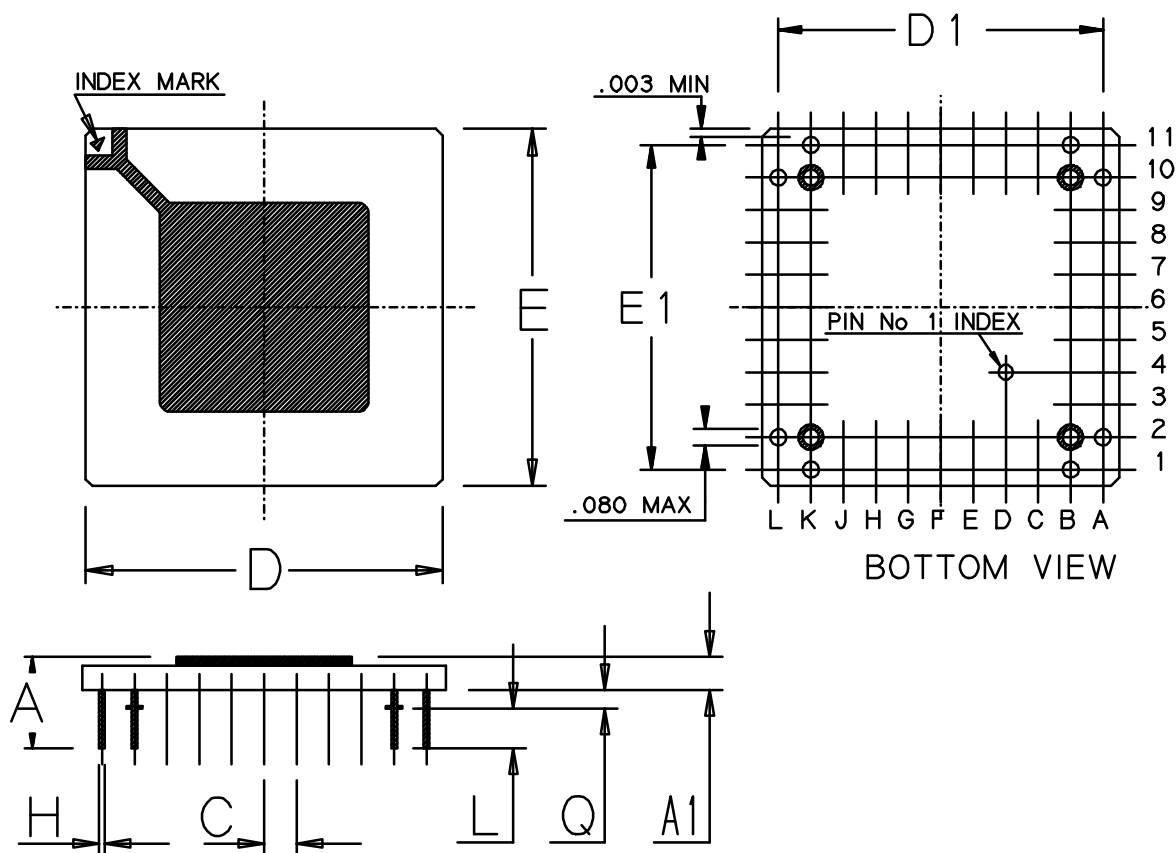
COMPLIANT MIL STD 1835 (P-AB)

64 PIN PGA - G25N



	MM		INCH	
	Min	Max	Min	Max
A	2.20	2.62	.087	.103
C	2.54 BSC		.100 BSC	
D	25.15	25.65	.990	1.010
E	25.15	25.65	.990	1.010
H	0.41	0.51	.016	.020
L	2.92	3.68	.115	.145
Q	1.14	1.40	.045	.055

68 PIN PGA



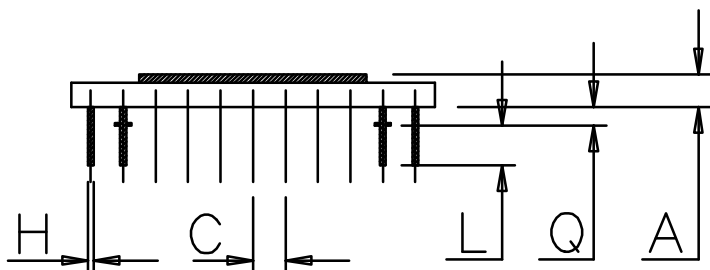
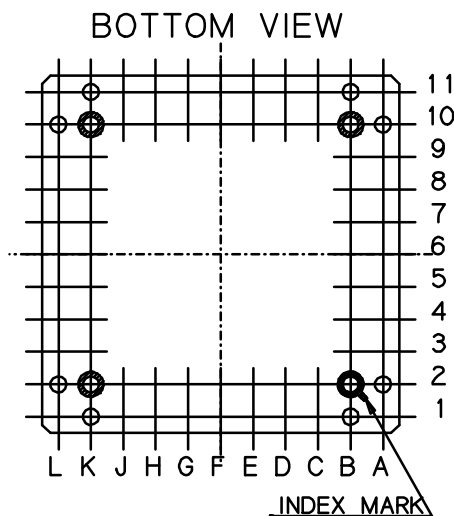
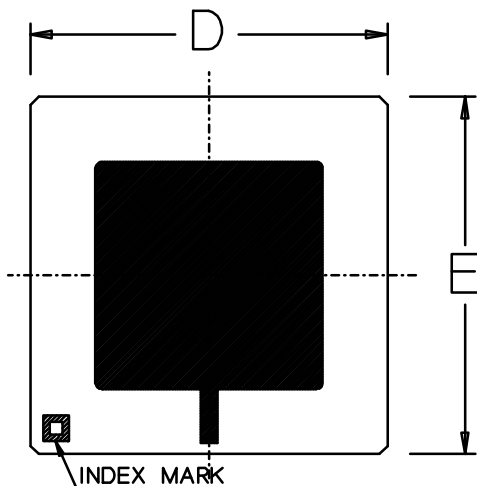
	MM		INCH	
	Min	Max	Min	Max
A	5.46	8.76	.215	.345
A1	1.78	3.68	.070	.145
C	2.54 BSC		.100 BSC	
D/E	27.43	28.83	1.080	1.135
D1/E1	25.40 BSC		1.000 BSC	
H	0.40	0.51	.016	.020
L	3.05	3.56	.120	.140
Q	1.02	1.52	.040	.060

COMPLIANT MIL STD 1835 (P-BC)

CODE : GM

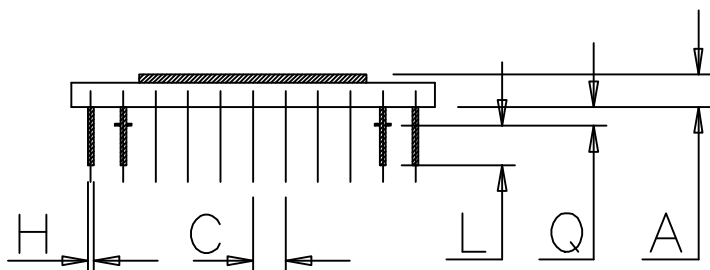
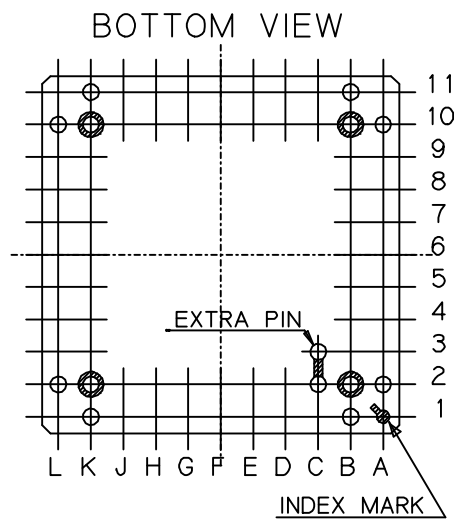
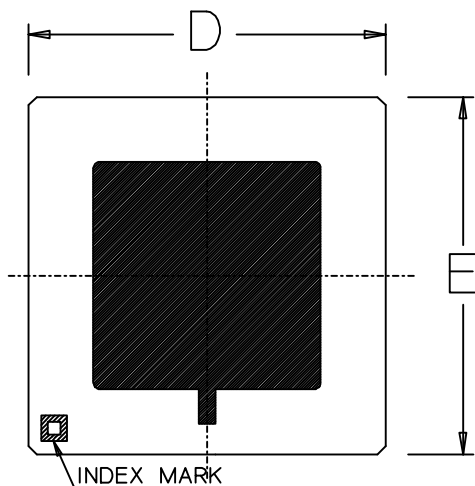
REV : G | DATE : 27-09-94

68 PIN PGA



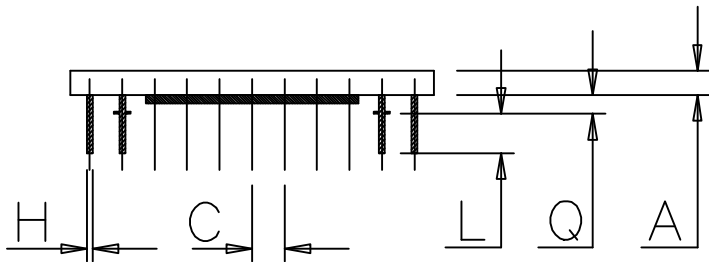
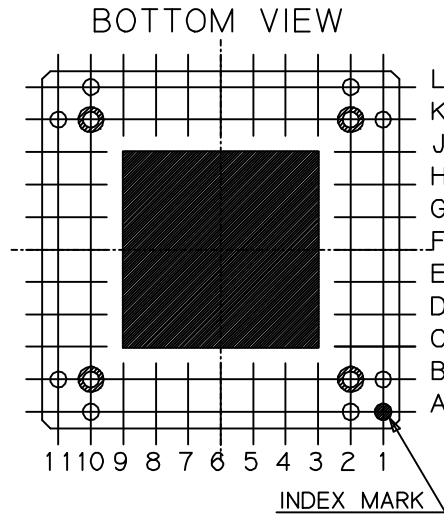
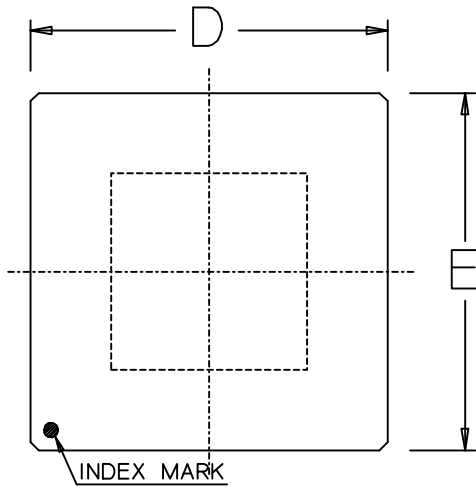
	MM		INCH	
	Min	Max	Min	Max
A	2.36	3.05	.093	.120
C	2.54 BSC		.100 BSC	
D	27.63	28.24	1.088	1.112
E	27.63	28.24	1.088	1.112
H	0.41	0.51	.016	.020
L	3.05	3.56	.120	.140
Q	1.14	1.40	.045	.055

68 PIN PGA



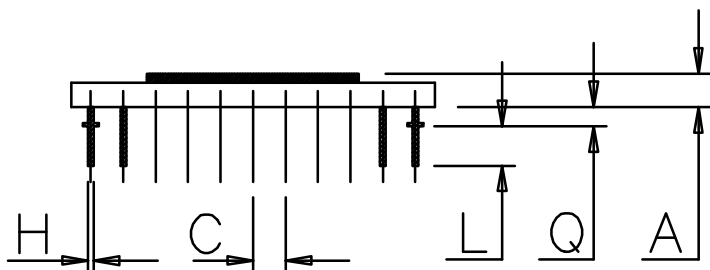
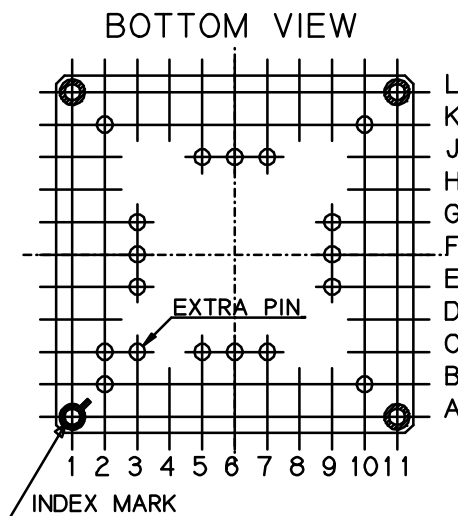
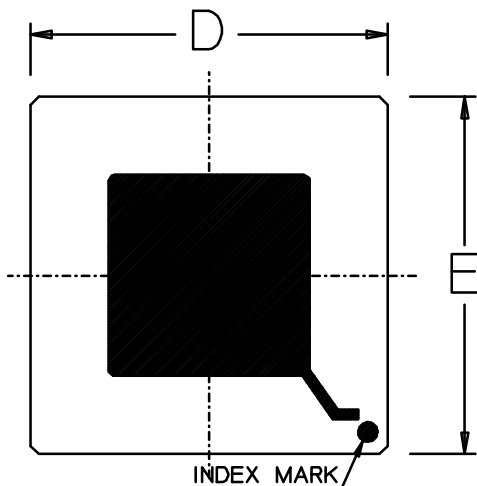
	MM		INCH	
	Min	Max	Min	Max
A	1.90	2.92	.075	.115
C	2.54 BSC		.100 BSC	
D	27.51	28.19	1.083	1.110
E	27.51	28.19	1.083	1.110
H	0.41	0.51	.016	.020
L	3.09	3.50	.122	.138
Q	1.19	1.35	.047	.053

68 PIN PGA (CAVITY DOWN)



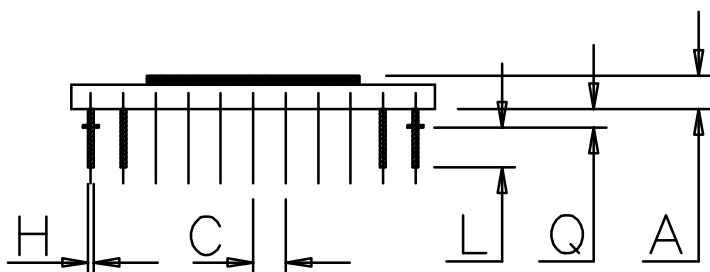
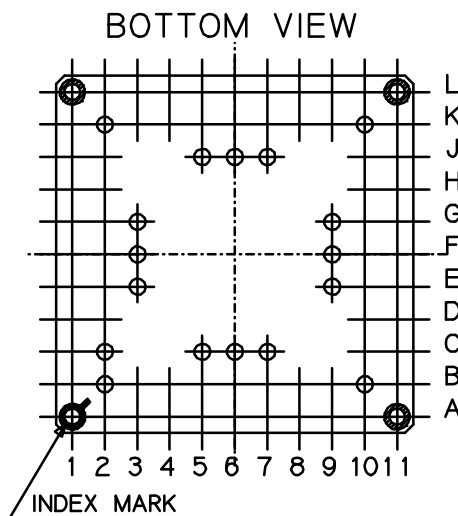
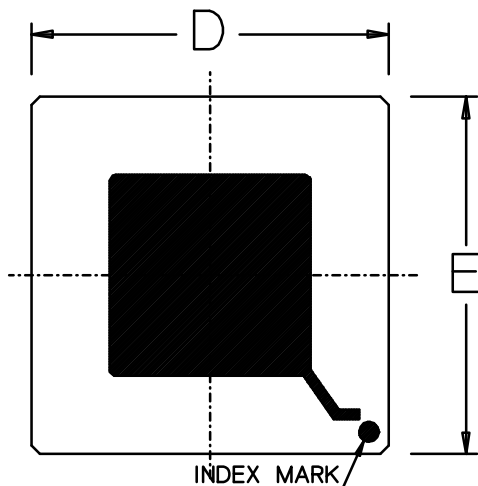
	MM		INCH	
	Min	Max	Min	Max
A	1.90	2.92	.075	.115
C	2.54 BSC		.100 BSC	
D	27.58	28.19	1.086	1.110
E	27.58	28.19	1.086	1.110
H	0.41	0.51	.016	.020
L	3.09	3.50	.122	.138
Q	1.19	1.35	.047	.053

84 PIN PGA



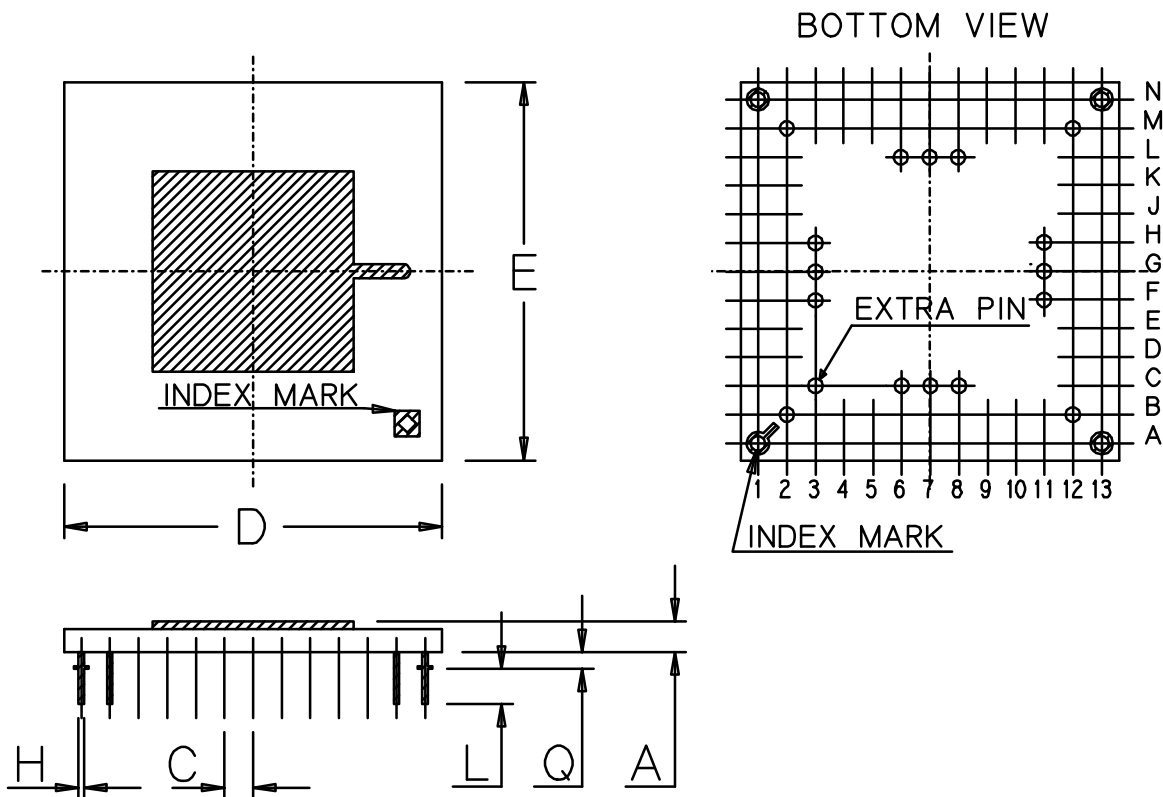
	MM		INCH	
	Min	Max	Min	Max
A	2.21	2.64	.087	.104
C	2.54 BSC		.100 BSC	
D	27.43	28.45	1.080	1.120
E	27.43	28.45	1.080	1.120
H	0.41	0.51	.016	.020
L	3.05	3.56	.120	.140
Q	1.19	1.35	.047	.053

84 PIN PGA



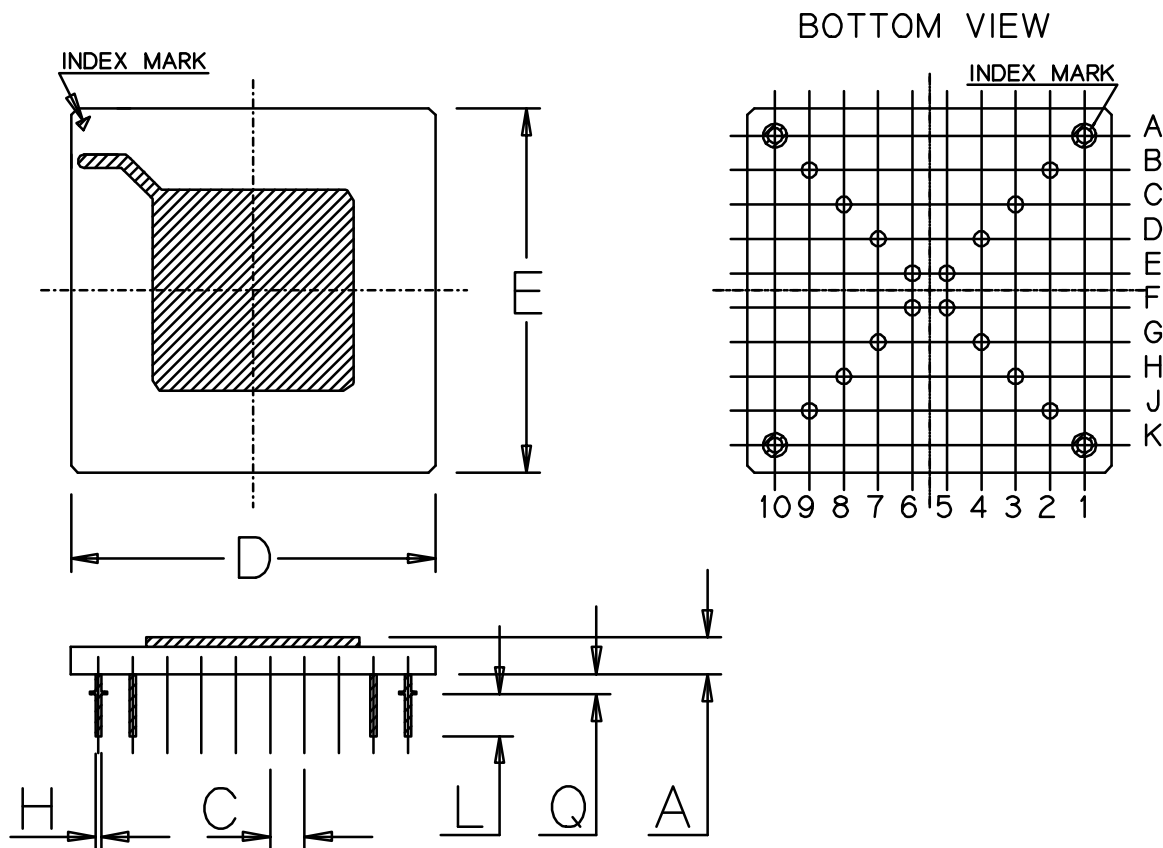
	MM		INCH	
	Min	Max	Min	Max
A	2.21	2.64	.087	.104
C	2.54 BSC		.100 BSC	
D	27.43	28.45	1.080	1.120
E	27.43	28.45	1.080	1.120
H	0.41	0.51	.016	.020
L	3.05	3.56	.120	.140
Q	1.19	1.35	.047	.053

100 PIN PGA



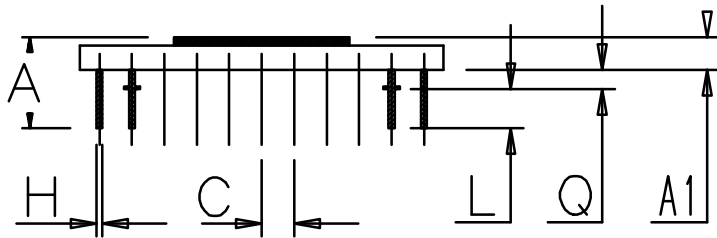
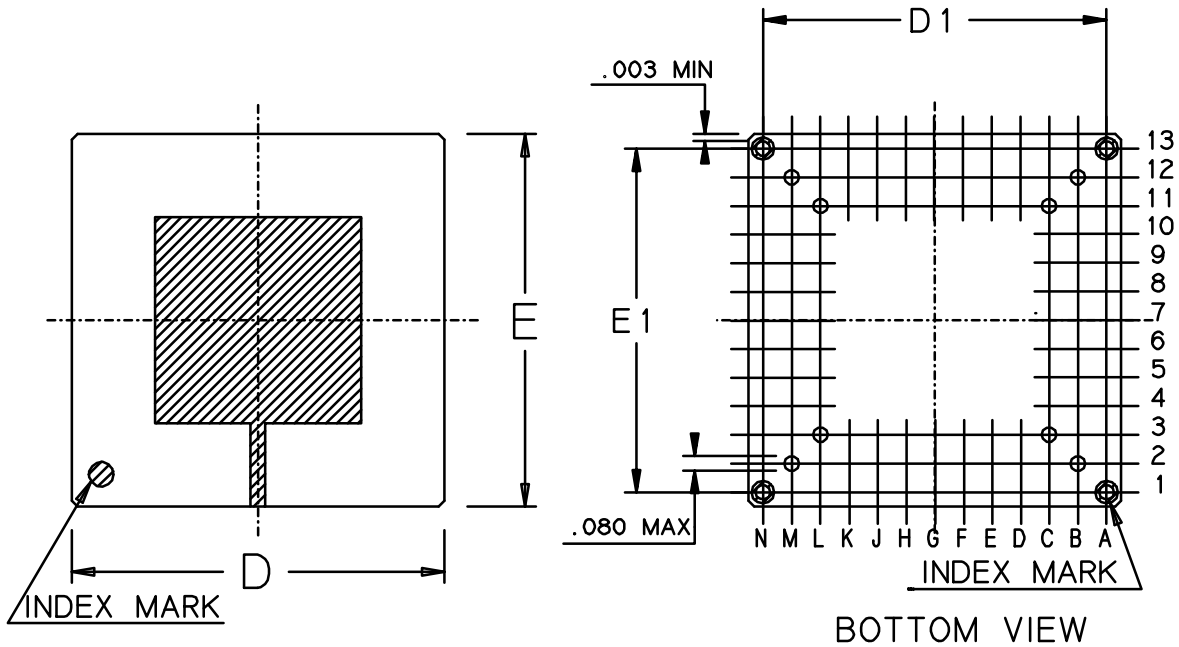
	MM		INCH	
	Min	Max	Min	Max
A	2.08	2.64	.082	.104
C	2.54 BSC		.100 BSC	
D	33.22	33.83	1.308	1.332
E	33.22	33.83	1.308	1.332
H	0.41	0.51	.016	.020
L	3.04	3.55	.120	.140
Q	1.14	1.40	.045	.055

100 PIN PGA



	MM		INCH	
	Min	Max	Min	Max
A	2.36	3.05	.093	.120
C	2.54 BSC		.100 BSC	
D	26.67	27.18	1.050	1.070
E	26.67	27.18	1.050	1.070
H	0.41	0.51	.016	.020
L	2.92	3.68	.115	.145
Q	1.14	1.40	.045	.055

120 PIN PGA



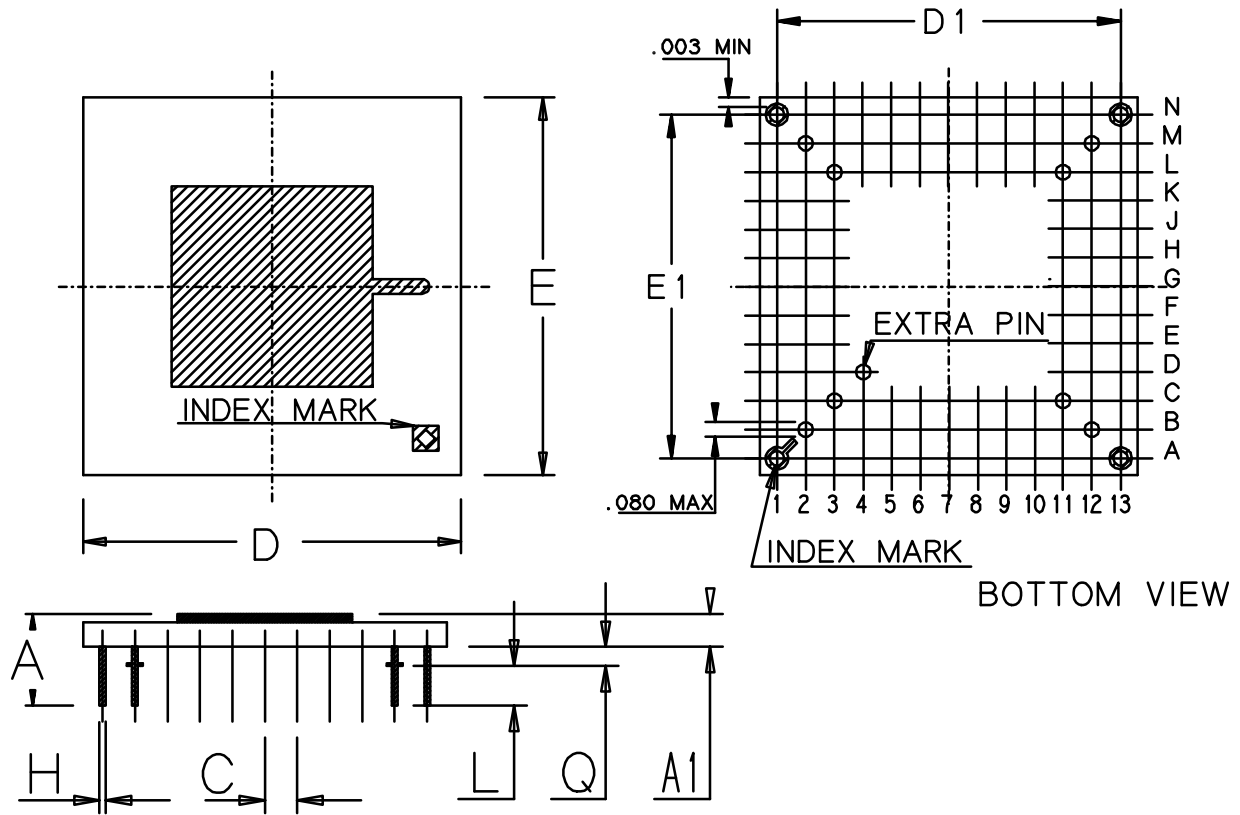
	MM		INCH	
	Min	Max	Min	Max
A	5.46	8.76	.215	.345
A1	1.78	3.68	.070	.145
C	2.54 BSC		.100 BSC	
D/E	32.51	33.90	1.280	1.335
D1/E1	30.48 BSC		1.200 BSC	
H	0.40	0.51	.016	.020
L	3.05	3.56	.120	.140
Q	1.02	1.52	.040	.060

COMPLIANT MIL STD 1835 (P-BE)

CODE : GU

REV : F DATE : 10-02-95

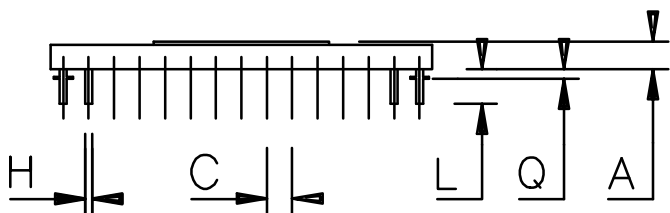
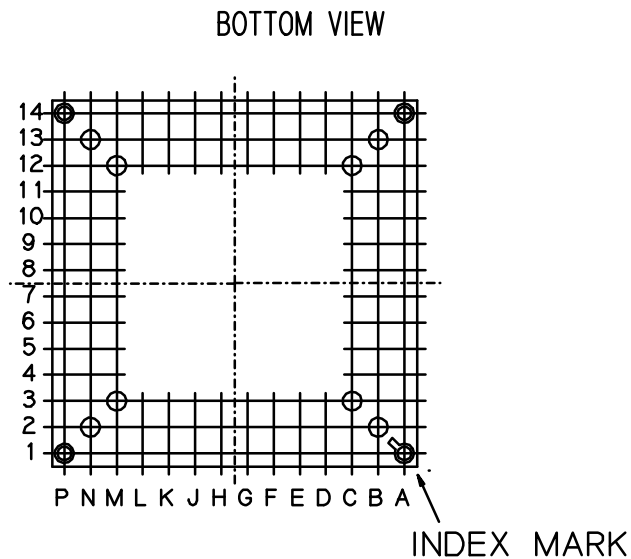
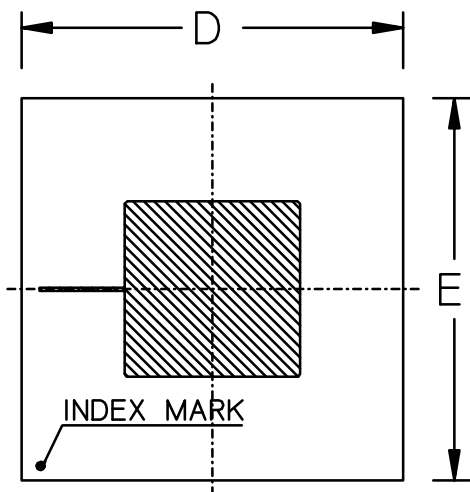
120 PIN PGA



	MM		INCH	
	Min	Max	Min	Max
A	5.46	8.76	.215	.345
A1	1.78	3.68	.070	.145
C	2.54 BSC		.100 BSC	
D/E	32.51	33.90	1.280	1.335
D1/E1	30.48 BSC		1.200 BSC	
H	0.40	0.51	.016	.020
L	3.05	3.56	.120	.140
Q	1.02	1.52	.040	.060

COMPLIANT MIL STD 1835 (P-BE)

132 PIN PGA



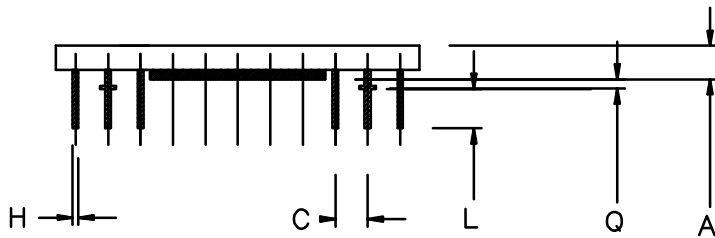
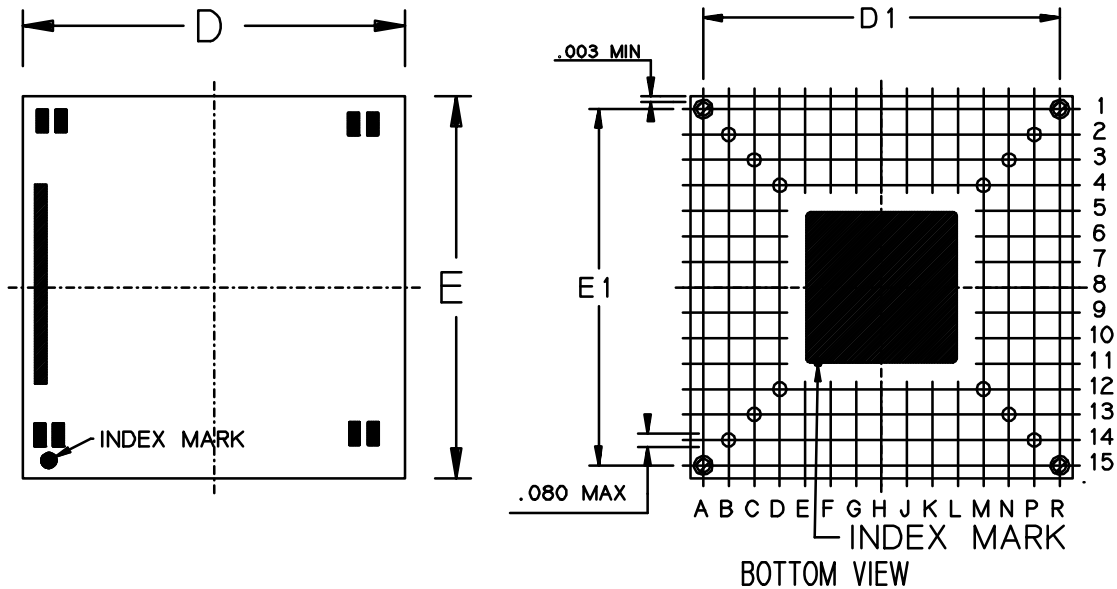
	MM		INCH	
	Min	Max	Min	Max
A	2.41	3.05	.095	.120
C	2.54 BSC		.100 BSC	
D	35.31	35.94	1.390	1.415
E	35.31	35.94	1.390	1.415
H	0.41	0.51	.016	.020
L	4.31	4.83	.170	.190
Q	1.65	1.90	.065	.075

NOT COMPLIANT MIL STD 1835

CODE : 8Y

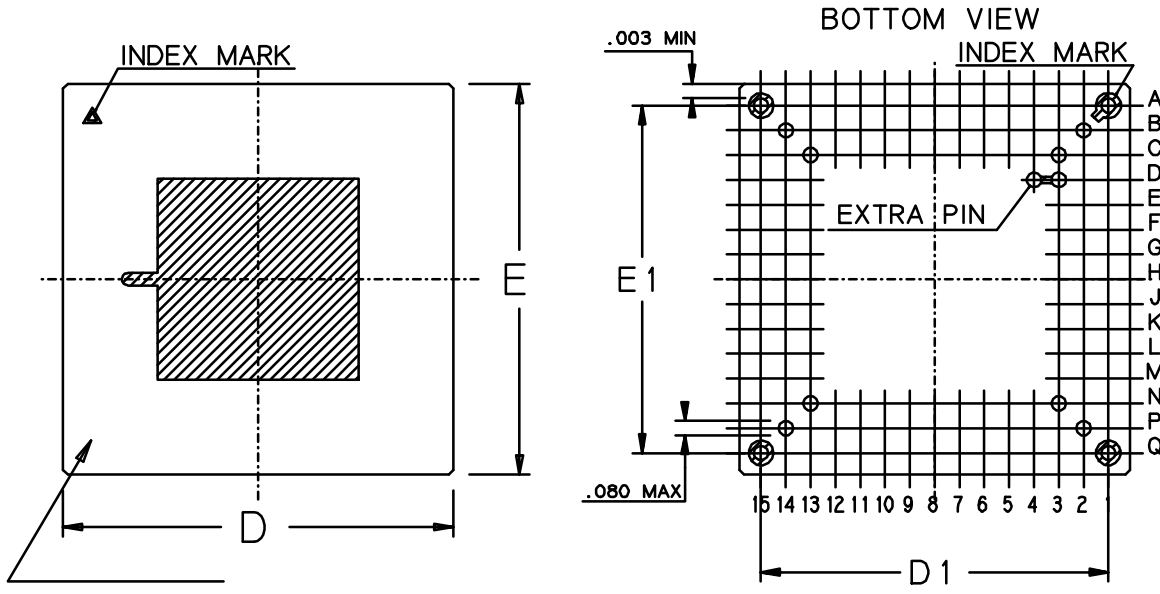
REV : B | DATE : 20-02-95

143 PIN PGA



	MM		INCH	
	Min	Max	Min	Max
A	2.67	3.18	.105	.125
C	2.54 BSC		.100 BSC	
D/E	39.59	40.41	1.559	1.591
D1/E1	35.56 BSC		1.400 BSC	
H	0.40	0.51	.016	.020
L	3.05	3.56	.120	.135
Q	0.58	0.89	.023	.035

144 PIN PGA



	MM		INCH	
	Min	Max	Min	Max
A	5.46	8.76	.215	.345
A1	1.78	3.68	.070	.145
C	2.54 BSC		.100 BSC	
D/E	39.12	40.38	1.540	1.590
D1/E1	35.56 BSC		1.400 BSC	
H	0.40	0.51	.016	.020
L	3.05	3.56	.120	.140
Q	1.02	1.52	.040	.060

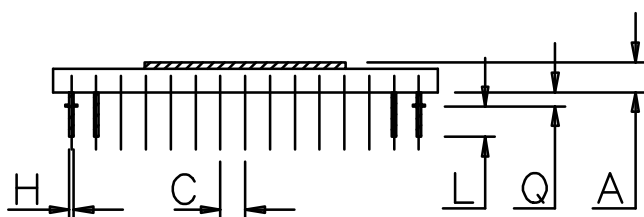
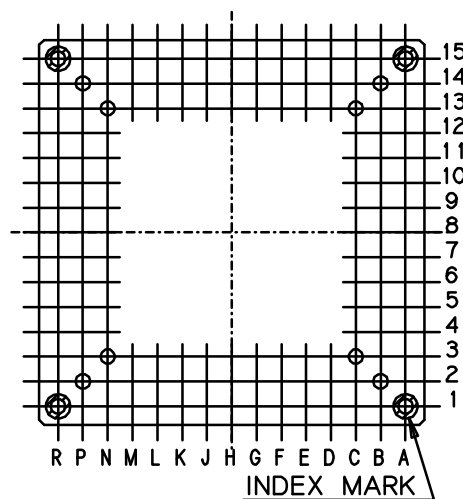
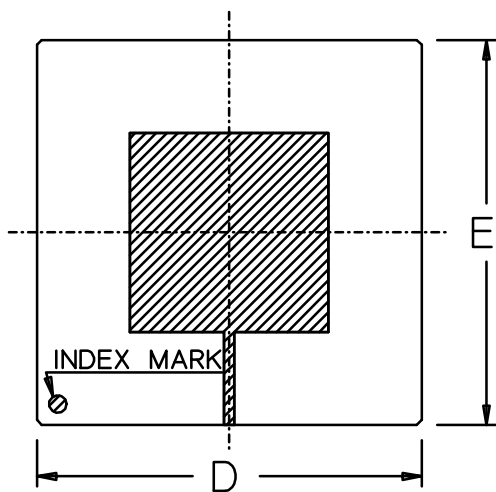
COMPLIANT MIL 1835 (P-AG)

CODE : 8V

REV : F | DATE : 26-09-94

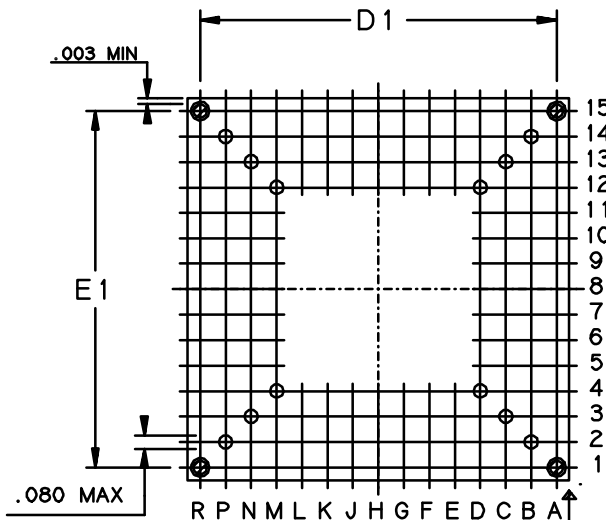
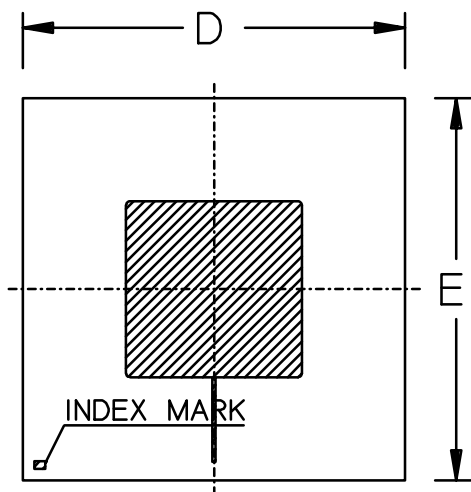
144 PIN PGA

BOTTOM VIEW



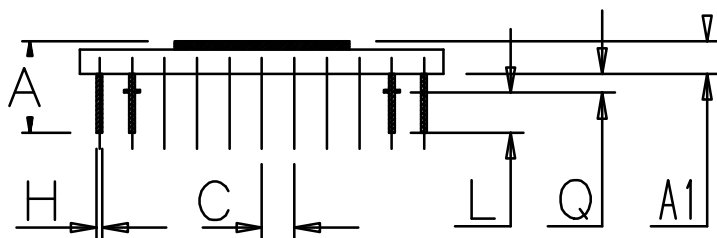
	MM		INCH	
	Min	Max	Min	Max
A	2.29	3.05	.090	.120
C	2.54 BSC		.100 BSC	
D	38.96	39.78	1.534	1.566
E	38.96	39.78	1.534	1.566
H	0.41	0.51	.016	.020
L	2.82	3.83	.111	.151
Q	1.07	1.47	.042	.058

176 PIN PGA



BOTTOM VIEW

INDEX MARK



	MM		INCH	
	Min	Max	Min	Max
A	5.46	8.76	.215	.345
A1	1.78	3.68	.070	.145
C	2.54 BSC		.100 BSC	
D/E	37.59	38.98	1.580	1.635
D1/E1	35.56 BSC		1.400 BSC	
H	0.40	0.51	.016	.020
L	3.05	3.56	.120	.140
Q	1.02	1.52	.040	.060

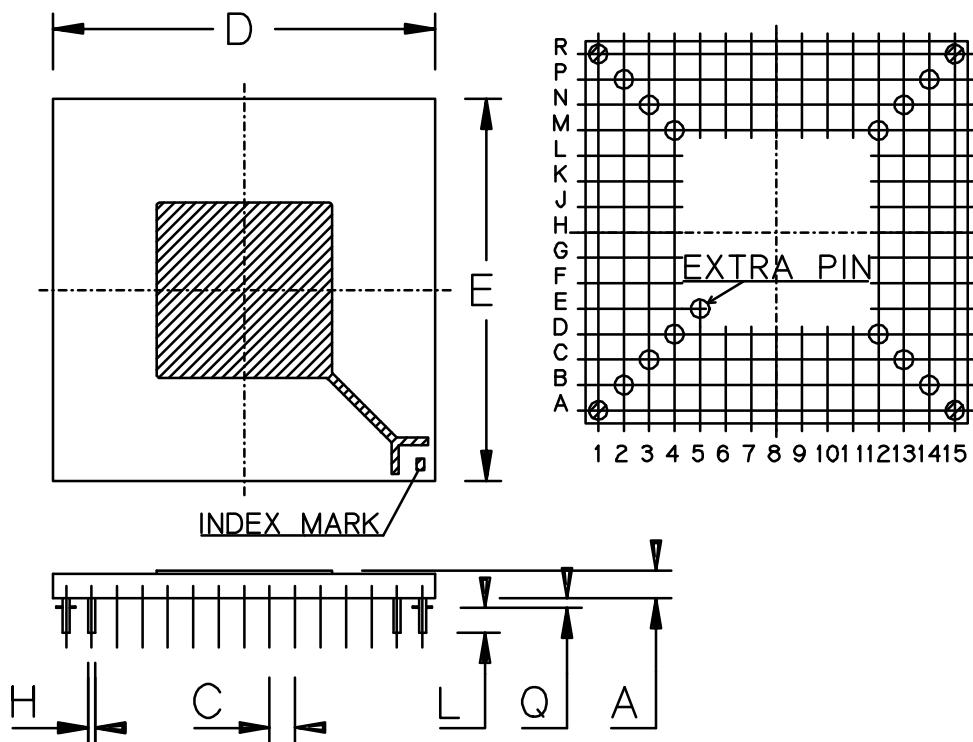
COMPLIANT MIL 1835 (P-BG)

CODE : 8W

REV : H | DATE : 18-07-95

176 PIN PGA

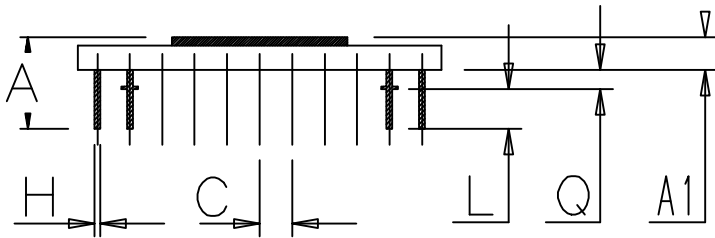
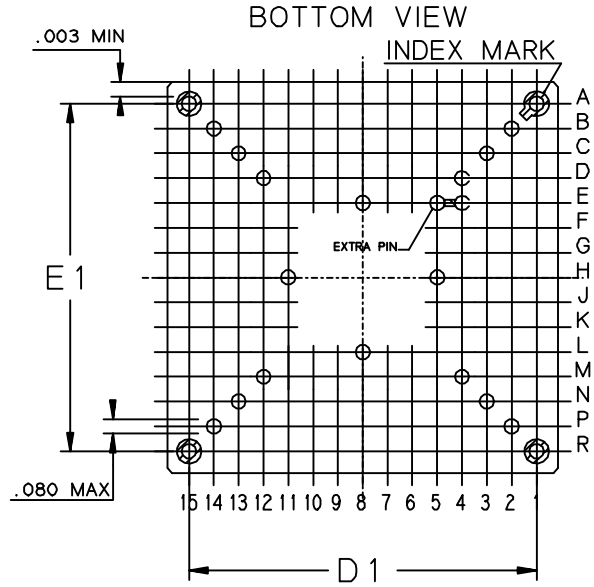
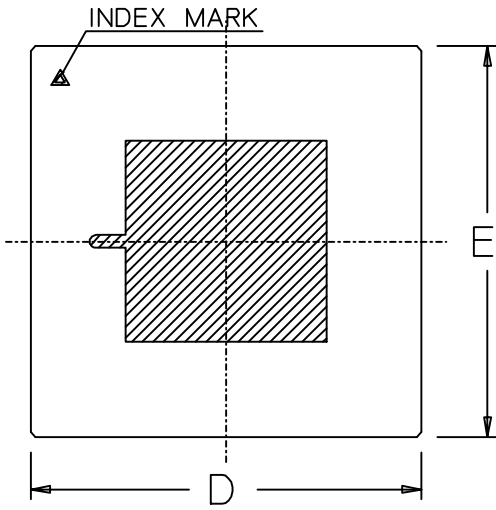
BOTTOM VIEW



	MM		INCH	
	Min	Max	Min	Max
A	2.31	2.77	.091	.109
C	2.54 BSC		.100 BSC	
D	37.69	38.50	1.484	1.516
E	37.69	38.50	1.484	1.516
H	0.41	0.51	.016	.020
L	3.46	3.12	.097	.123
Q	0.89	1.14	.035	.045

180 PIN PGA

PRELIMINARY DRAWING



	MM		INCH	
	Min	Max	Min	Max
A	5.46	8.76	.215	.345
A1	1.78	3.68	.070	.145
C	2.54 BSC		.100 BSC	
D/E	39.12	40.38	1.540	1.590
D1/E1	35.56 BSC		1.400 BSC	
H	0.40	0.51	.016	.020
L	3.05	3.56	.120	.140
Q	1.02	1.52	.040	.060

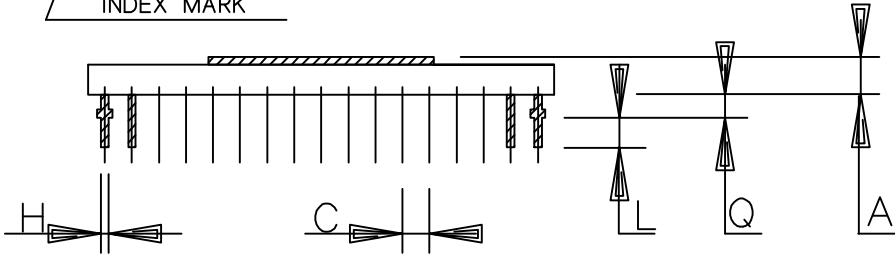
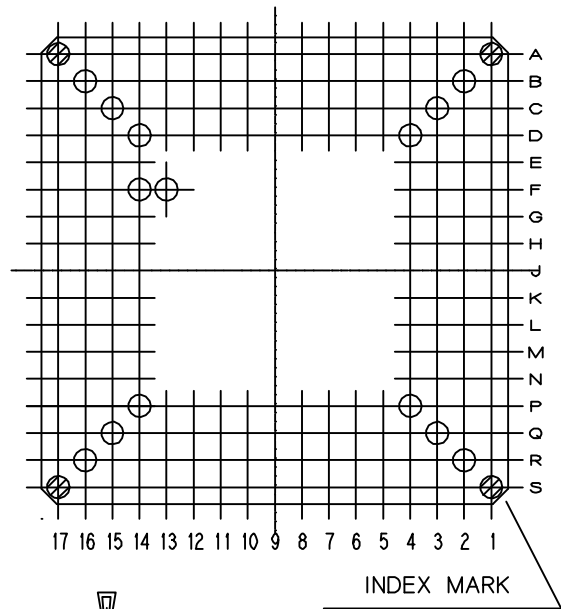
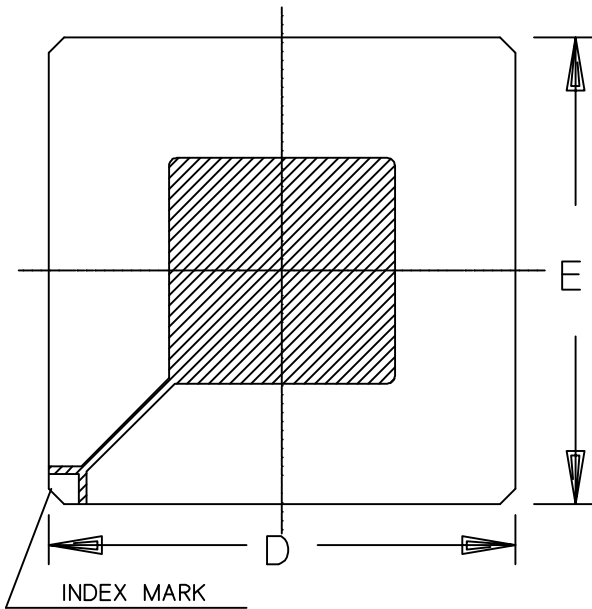
COMPLIANT MIL 1835 (P-AG)

CODE : 80

REV : 0 DATE : 26-03-93

209 PIN PGA

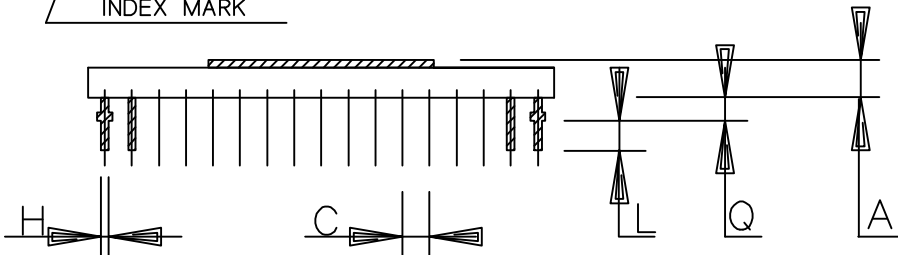
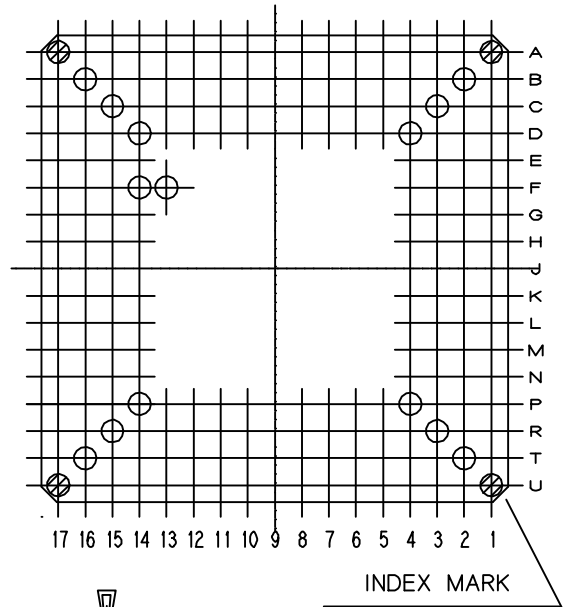
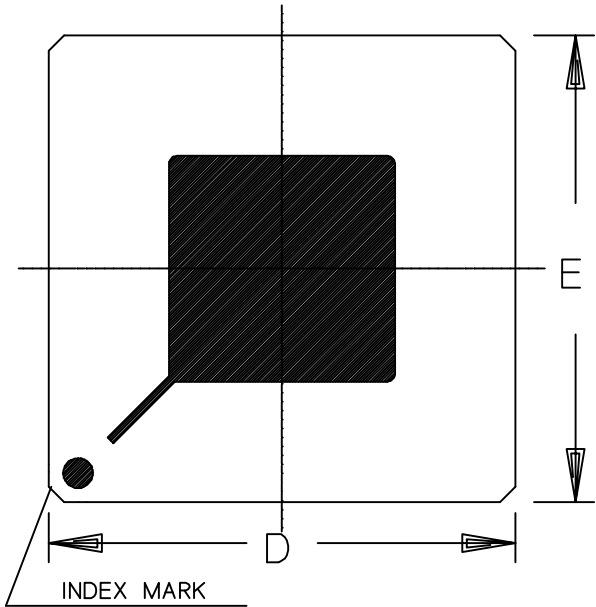
BOTTOM VIEW



	MM		INCH	
	Min	Max	Min	Max
A	2.87	3.68	.113	.145
C	2.54 BSC		.100 BSC	
D	42.77	43.59	1.684	1.716
E	42.77	43.59	1.684	1.716
H	0.41	0.51	.016	.020
L	3.48	4.09	.137	.161
Q	0.91	1.12	.036	.044

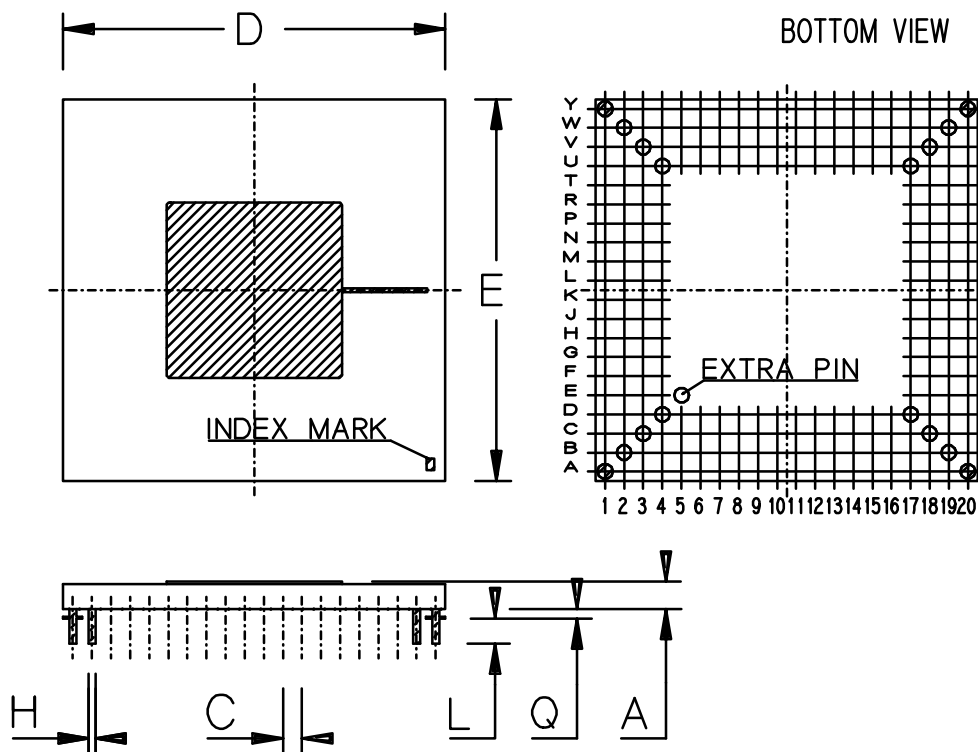
209 PIN PGA

BOTTOM VIEW



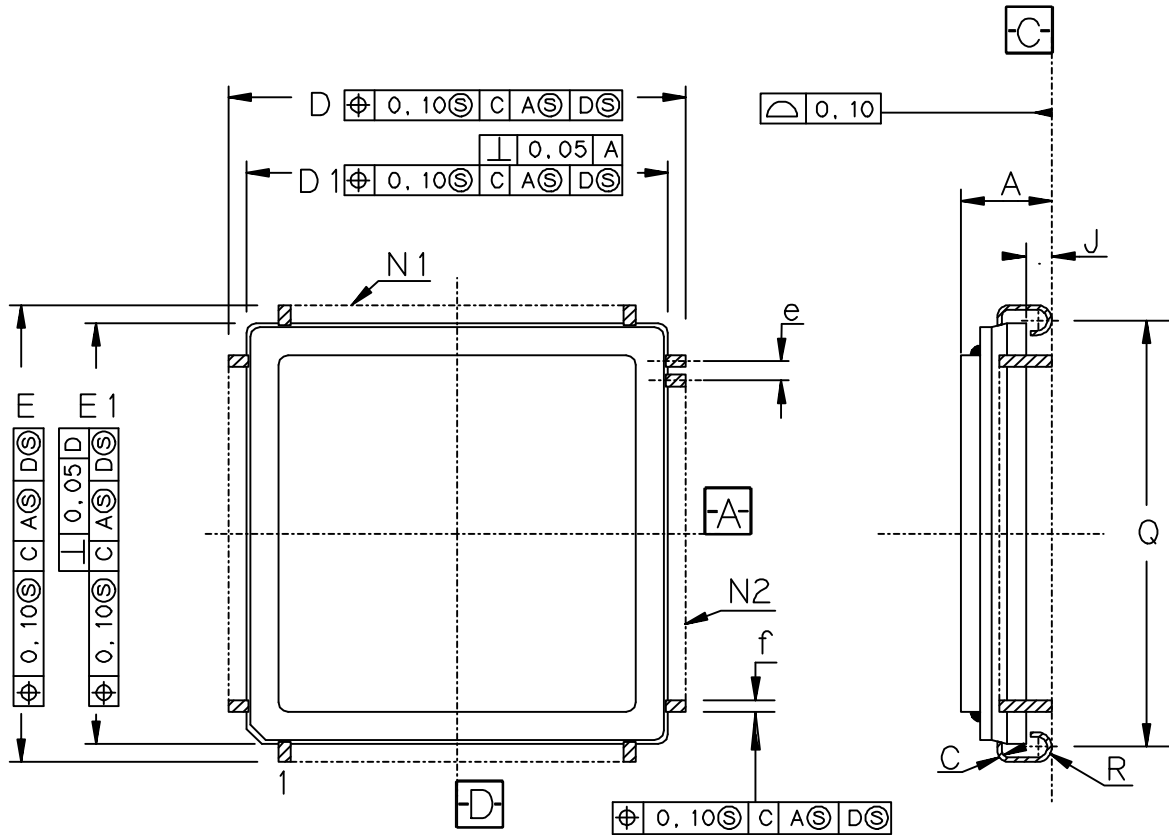
	MM		INCH	
	Min	Max	Min	Max
A	2.67	3.43	.105	.135
C	2.54 BSC		.100 BSC	
D	42.77	43.59	1.684	1.716
E	42.77	43.59	1.684	1.716
H	0.41	0.51	.016	.020
L	3.05	3.56	.120	.140
Q	1.27 TYP		.050 TYP	

257 PIN PGA



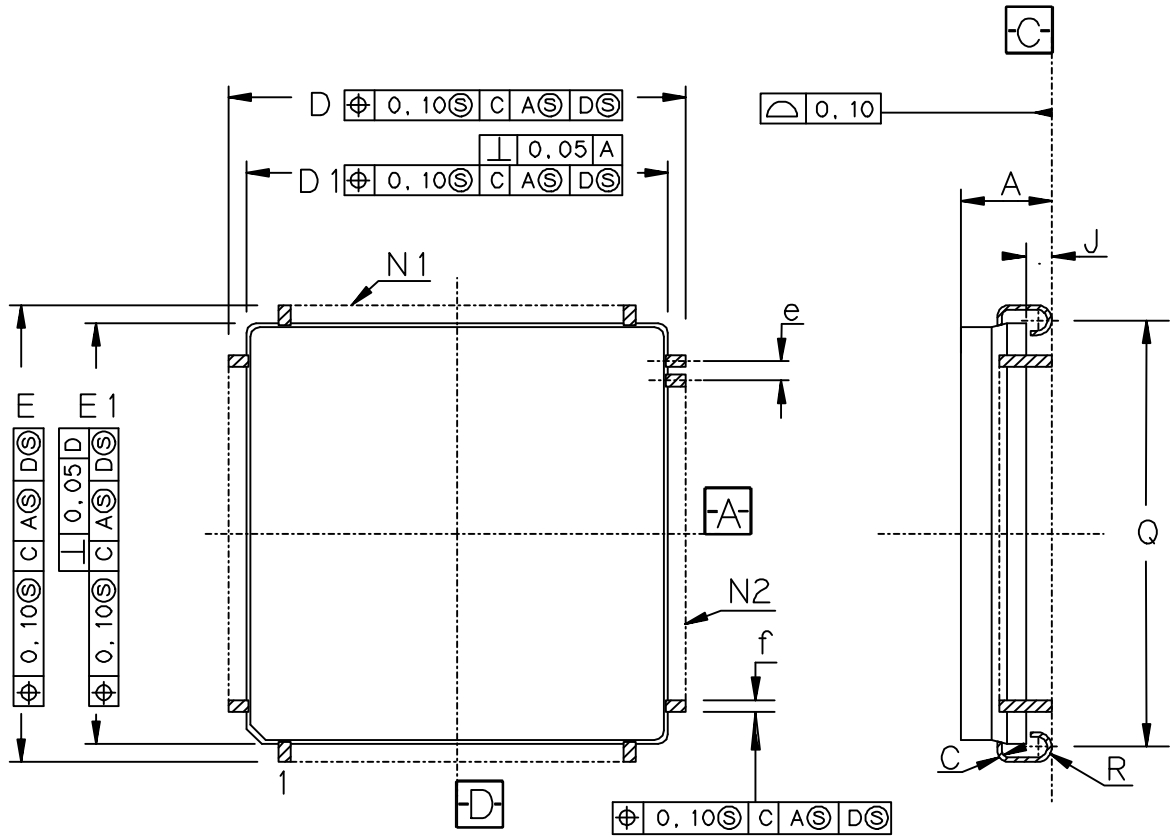
	MM		INCH	
	Min	Max	Min	Max
A	3.33	3.99	.131	.157
C	2.54 BSC		.100 BSC	
D	50.29	51.31	1.980	2.020
E	50.29	51.31	1.980	2.020
H	0.41	0.51	.016	.020
L	3.05	3.56	.120	.140
Q	1.14	1.40	.045	.055

28 LEADS CER QUAD PACK



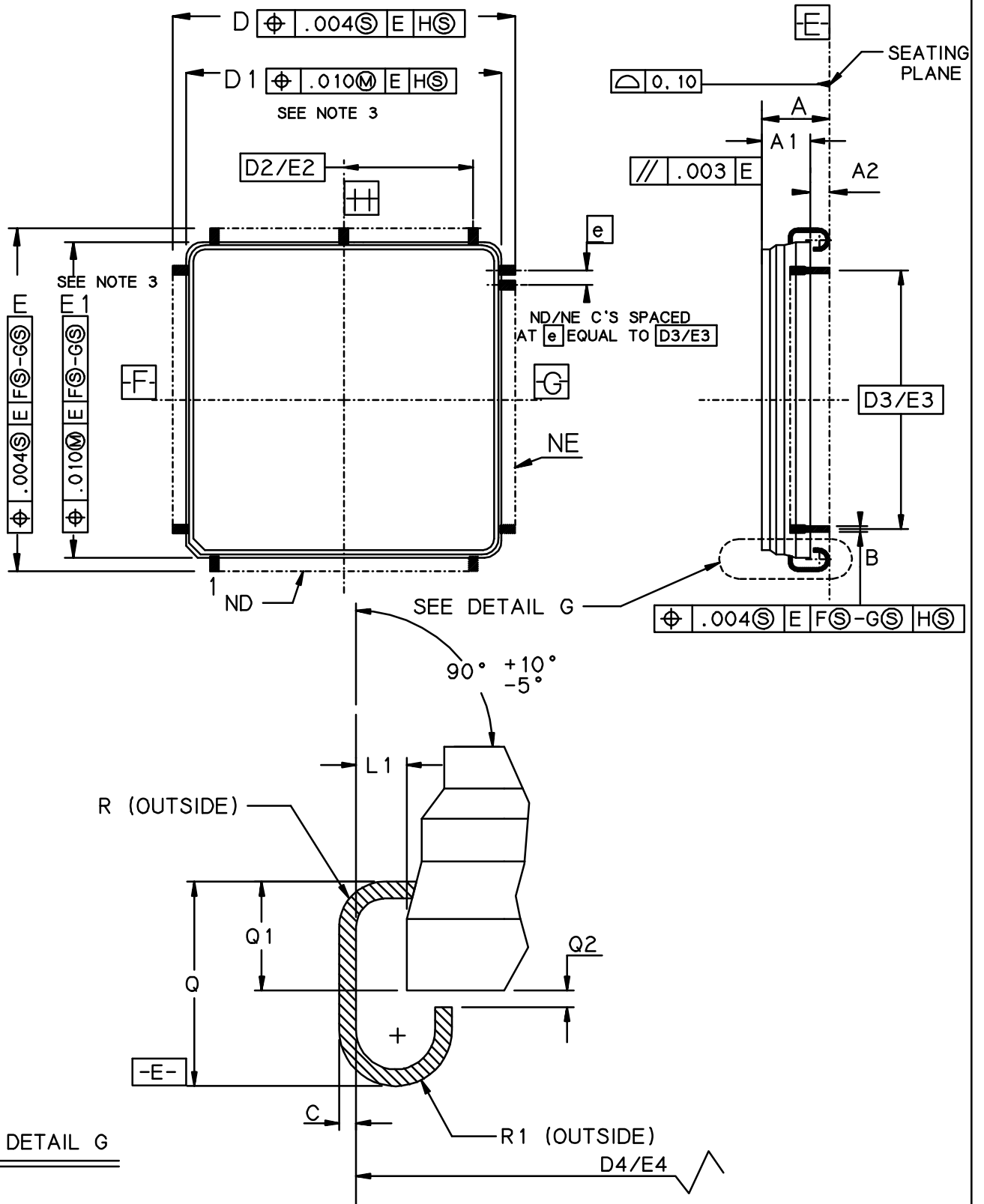
	MM		INCH	
	Min	Max	Min	Max
A	-	5.20	-	.205
C	0.15	0.25	.006	.010
D - E	12.32	12.60	.485	.496
D1 - E1	11.33	11.53	.446	.454
e	1.27 TYP		.050 TYP	
f	0.43	0.53	.017	.021
J	0.86	1.12	.034	.044
Q	10.42	10.92	.410	.430
R	0.94 TYP		.037 TYP	
N1	7		7	
N2	7		7	

44 LEAD CER QUAD PACK



	MM		INCH	
	Min	Max	Min	Max
A	-	4.90	-	.193
C	0.15	0.25	.006	.010
D - E	17.40	17.55	.685	.691
D1 - E1	16.36	16.66	.644	.656
e	1.27 TYP		.050 TYP	
f	0.43	0.53	.017	.021
J	0.86	1.12	.034	.044
Q	15.49	16.00	.610	.630
R	0.86 TYP		.034 TYP	
N1	11		11	
N2	11		11	

44 LEADS CER QUAD PACK



SEE TABLE OF DIMENSIONS PAGE 111 BIS

CODE : QL

REV : C | DATE : 04-10-95

44 LEADS CER QUAD PACK

TABLE OF DIMENSIONS

	MM		INCH	
	Min	Max	Min	Max
A	2.16	4.83	.085	.190
A1	1.91	3.81	.075	.150
A2	0.76	1.27	.030	.050
B	0.46	0.56	.018	.022
C	0.14	0.28	.0054	.011
D/E	17.40	17.65	.685	.695
D1/E1	16.31	16.71	.642	.658
D2/E2	6.35 BSC		.250 BSC	
D3/E3	12.70 BSC		.500 BSC	
D4/E4	16.84	17.30	.663	.681
e	1.27 BSC		.050 BSC	
L1	0.25	-	.010	-
Q	2.41	2.92	.095	.115
Q1	1.52	1.78	.060	.070
Q2	0.08	-	.003	-
R	0.38	-	.015	-
R1	0.76	1.02	.030	.040
ND/NE	11		11	

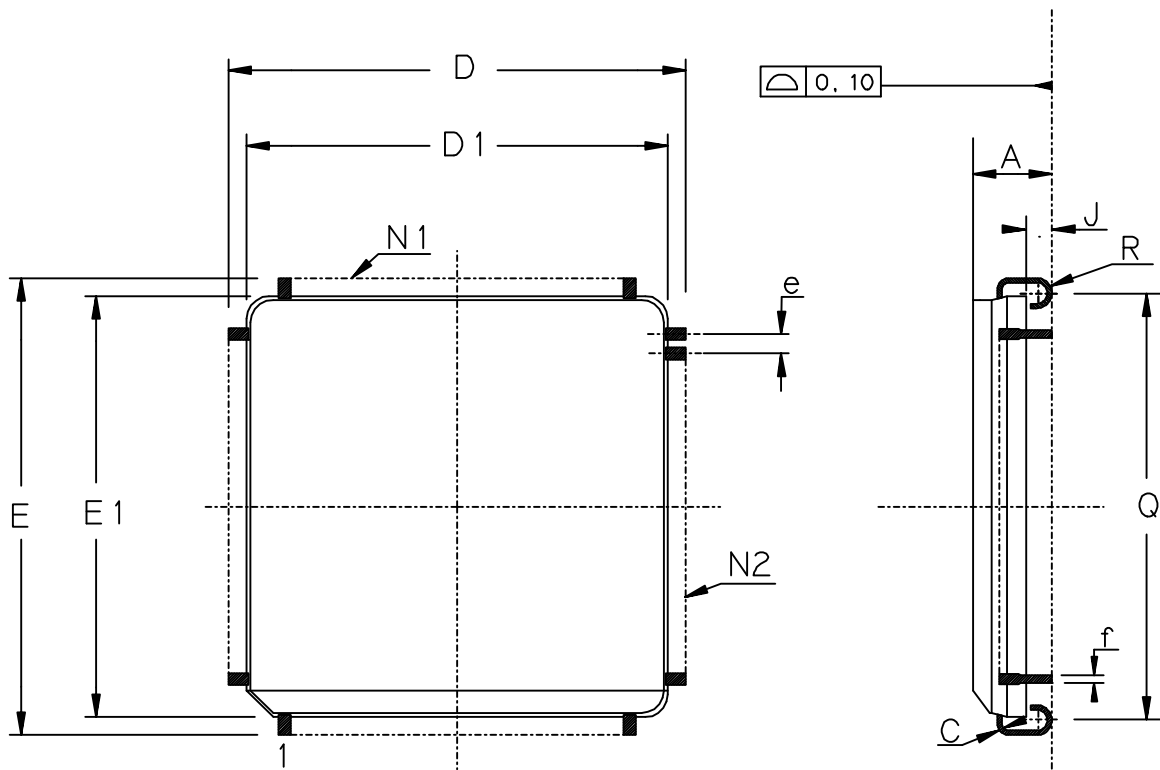
COMPLIANT MIL 38510 (C-J1)

EXCEPT C DIM.

CODE : QL

REV :C DATE : 04-10-95

52 LEADS CER QUAD PACK



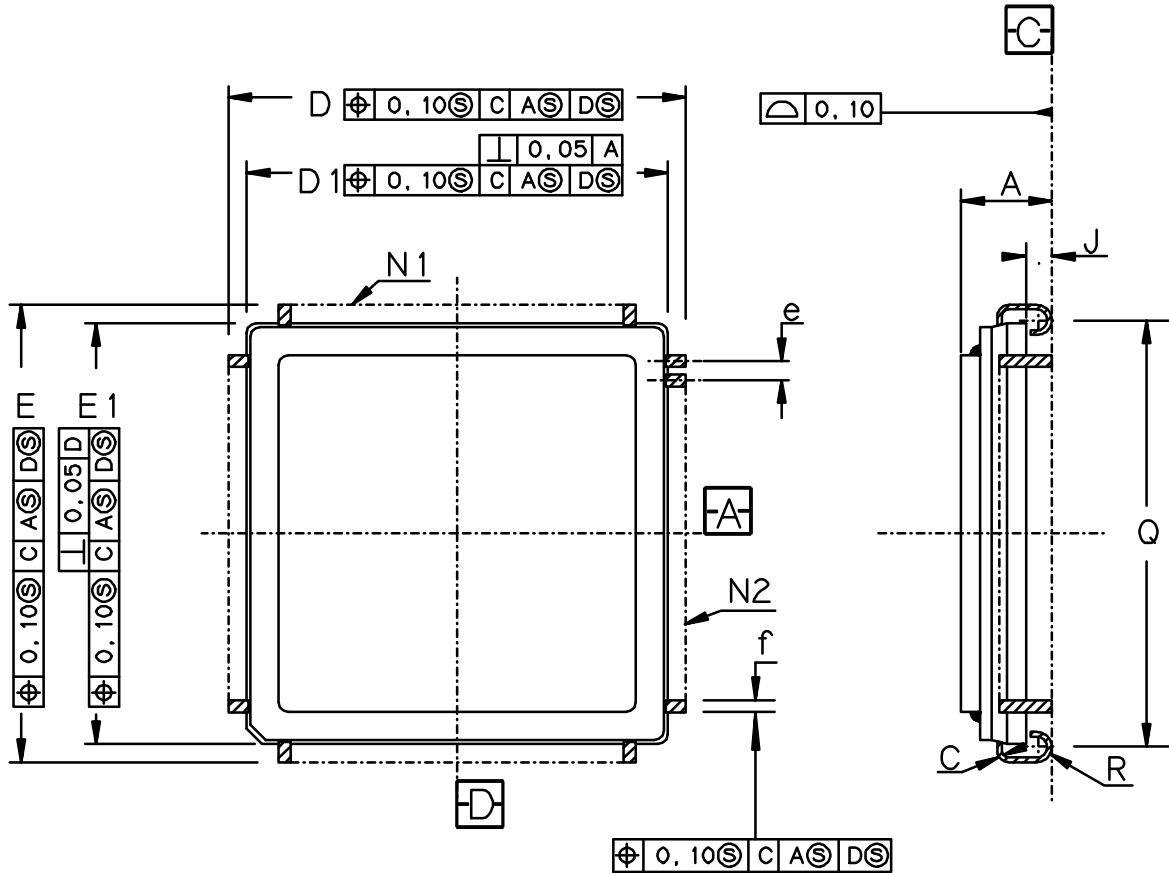
	MM		INCH	
	Min	Max	Min	Max
A	-	4.83	-	.190
C	0.15 TYP		.006 TYP	
D - E	19.89	20.14	.783	.793
D1 - E1	18.85	19.26	.742	.758
e	1.27 TYP		.050 TYP	
f	0.48 TYP		.019 TYP	
J	1.02 TYP		0.40 TYP	
Q	18.03	18.54	.710	.730
R	0.94 TYP		.037 TYP	
N1	13		13	
N2	13		13	

THIS PACKAGE DON'T EXIST IN MIL 38510

CODE : Q3

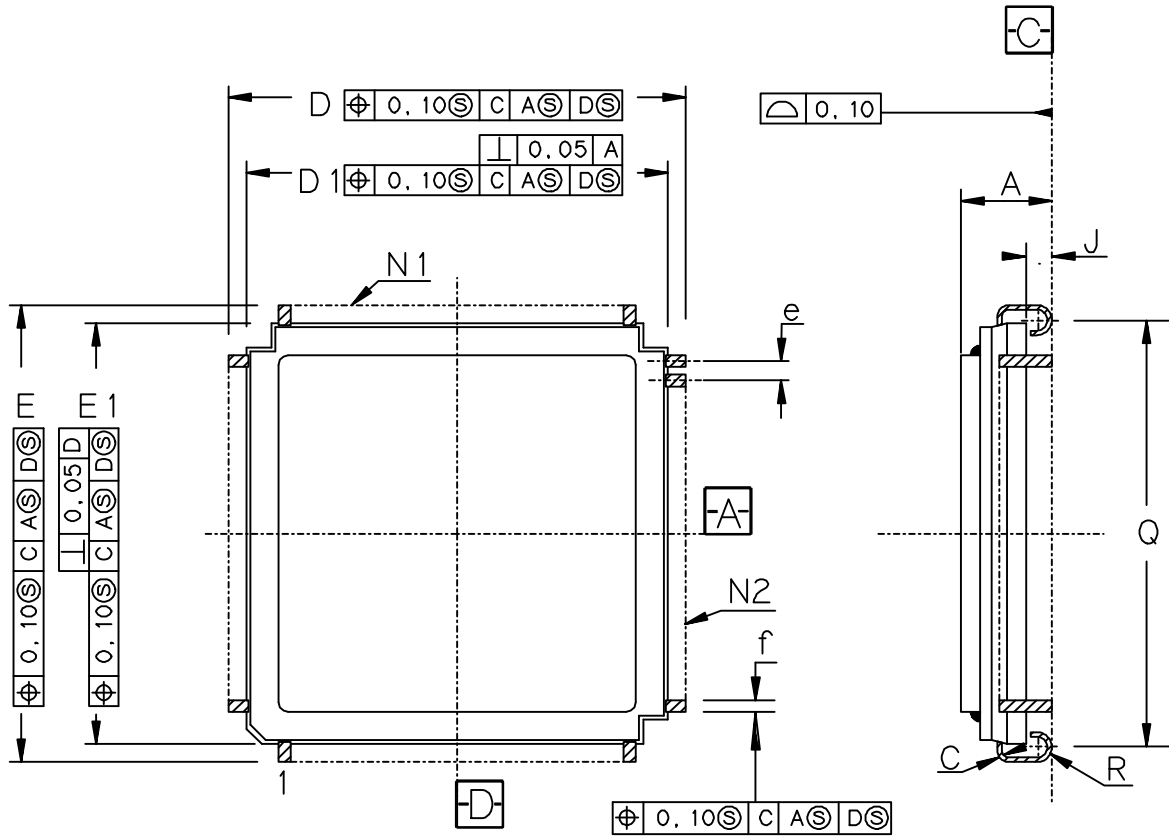
REV : 0 DATE : 28-11-91

68 LEAD CERQUAD PACK



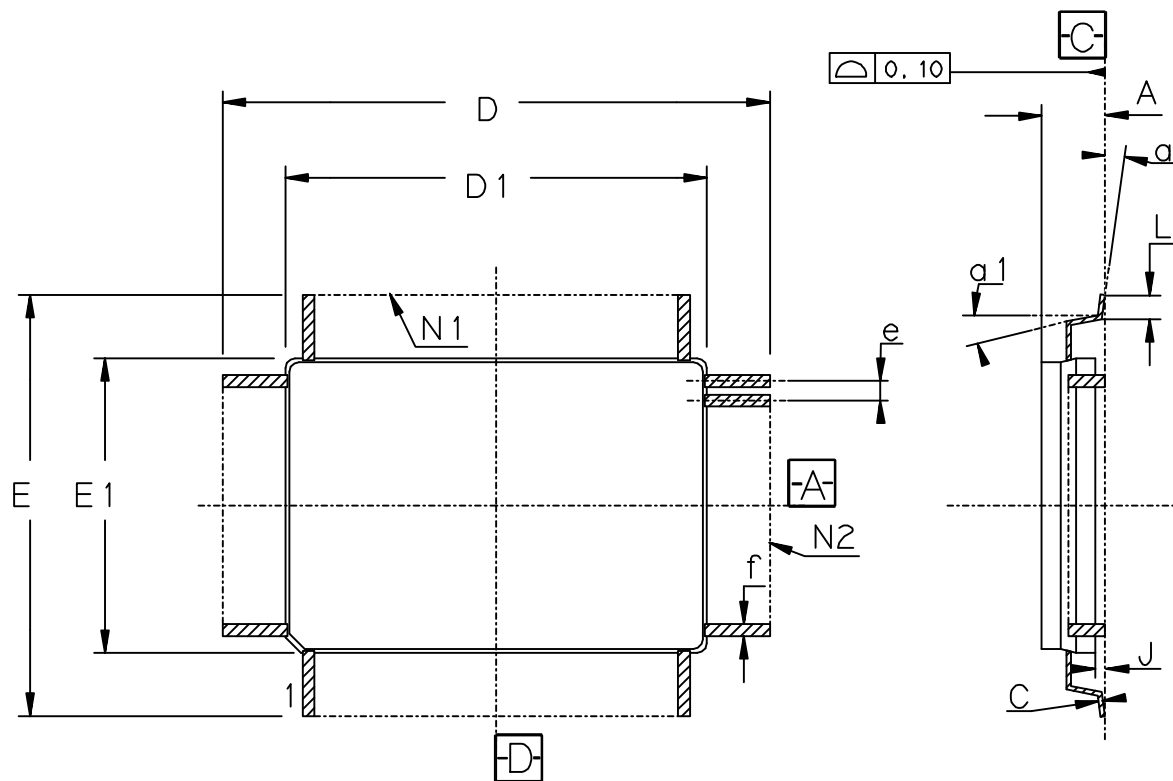
	MM		INCH	
	Min	Max	Min	Max
A	-	5.44	-	.214
C	0.15	0.25	.006	.010
D - E	25.02	25.17	.985	.991
D1 - E1	23.93	24.33	.942	.958
e	1.27 TYP		.050 TYP	
f	0.43	0.53	.017	.021
J	0.86	1.12	.034	.044
Q	23.11	23.62	.091	.093
R	0.86 TYP		.034 TYP	
N1	17		17	
N2	17		17	

68 LEAD CER QUAD PACK



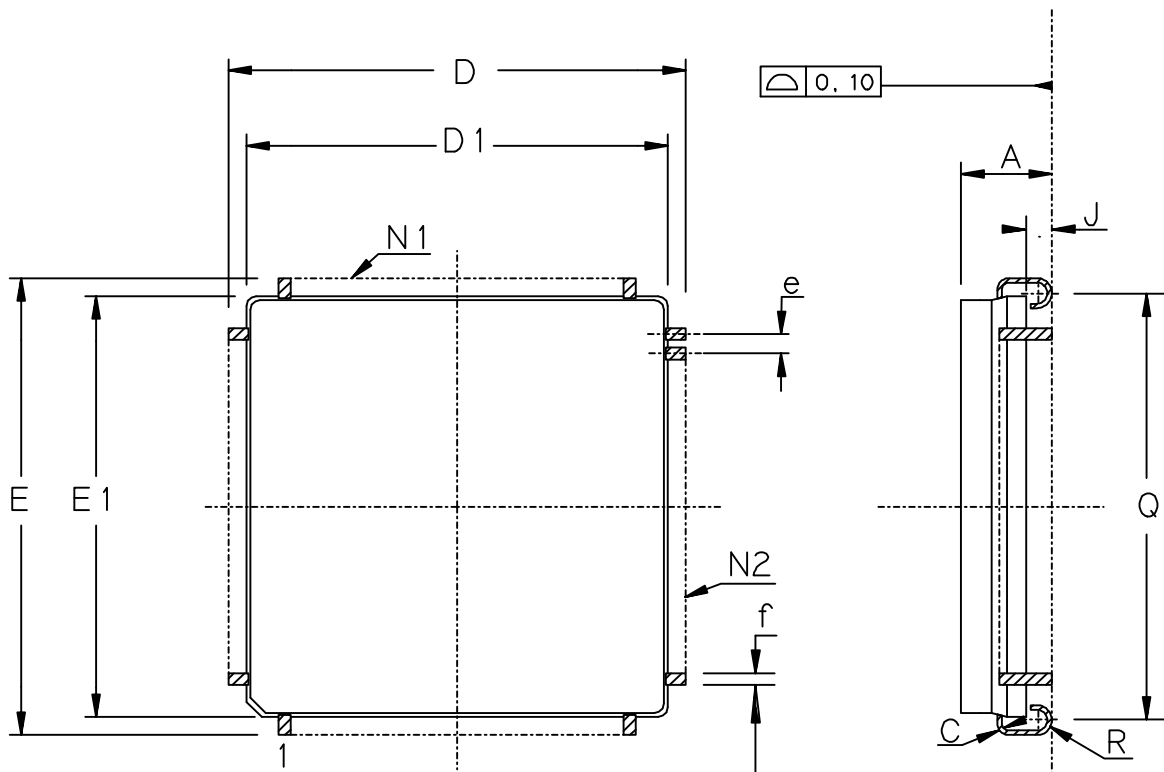
	MM		INCH	
	Min	Max	Min	Max
A	-	5.44	-	.214
C	0.15	0.25	.006	.010
D - E	-	25.00	-	.984
D1 - E1	23.88	24.38	.940	.960
e	1.27 TYP		.050 TYP	
f	0.41	0.56	.016	.022
J	1.02 TYP		.040 TYP	
Q	23.11 TYP		.910 TYP	
R	0.94 TYP		.037 TYP	
N1	17		17	
N2	17		17	

80 LEAD CER QUAD PACK



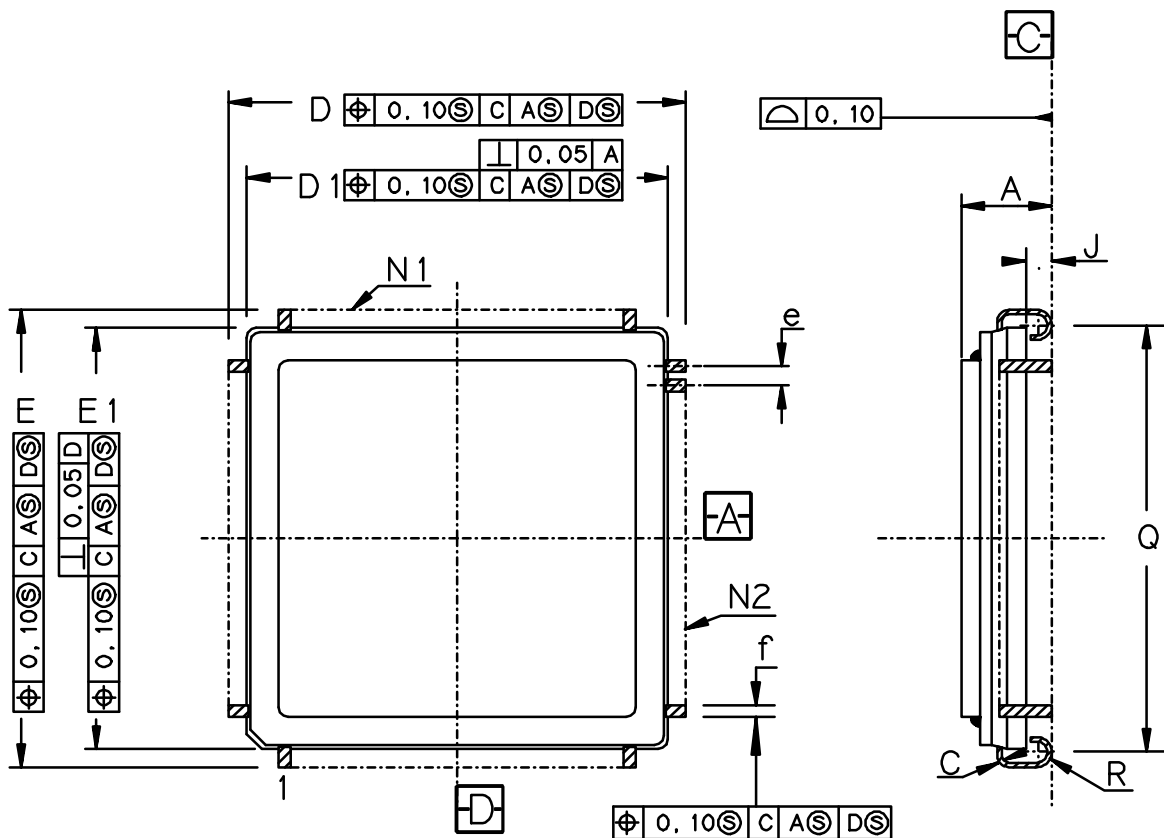
	MM		INCH	
	Min	Max	Min	Max
A	-	3.50	-	.138
C	0.15 TYP		.006 TYP	
D	23.76	24.48	.935	.964
D1	19.82	20.18	.780	.794
E	17.80	18.44	.701	.725
E1	13.86	14.14	.545	.557
e	0.80 BSC		.0315 BSC	
f	0.30	0.40	.011	.015
J	0.15	0.30	.006	.012
L	0.61	1.01	.024	.040
a	4°+- 4°			
a1	5°+- 5°			
N1	24		24	
N2	16		16	

84 LEAD CER QUAD PACK



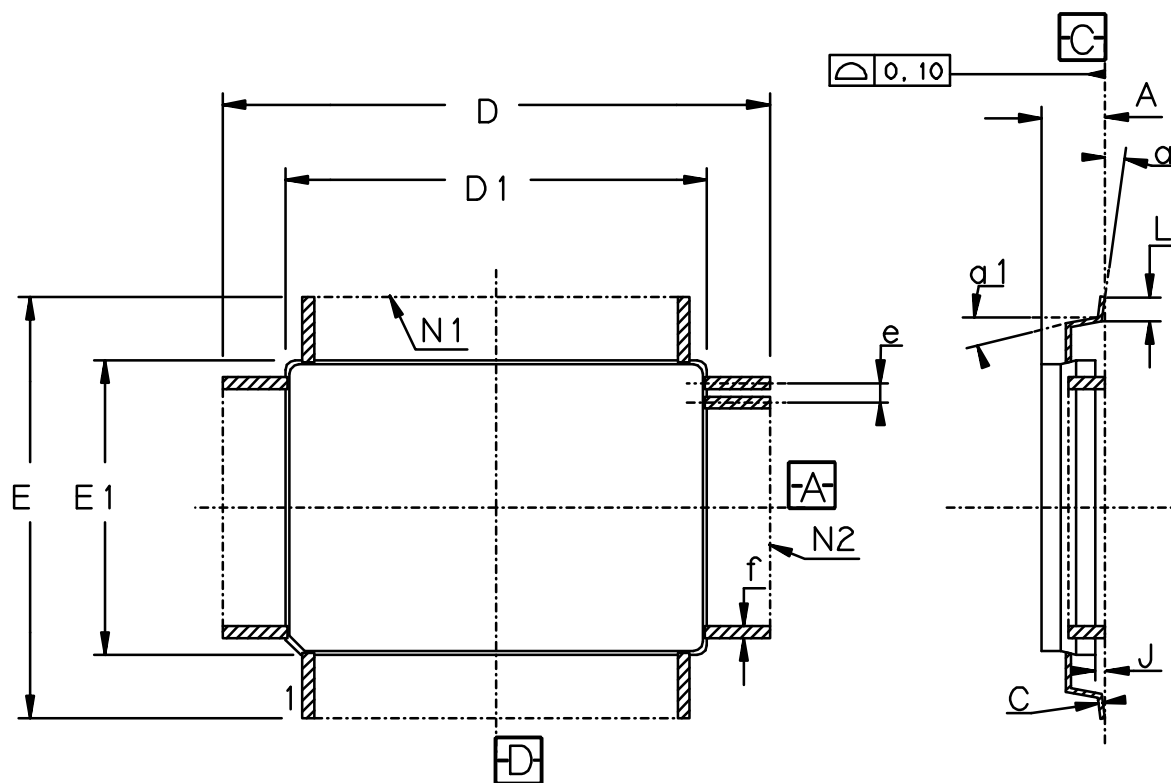
	MM		INCH	
	Min	Max	Min	Max
A	3.81	4.83	.150	.190
C	0.15 REF		.006 REF	
D - E	29.46	30.00	1.160	1.180
D1 - E1	28.91	29.51	1.138	1.162
e	1.27 TYP		.050 TYP	
f	0.43	0.53	.017	.021
J	1.02 TYP		.040 TYP	
Q	28.19 TYP		1.110 TYP	
R	0.94 TYP		.037 TYP	
N1	21		21	
N2	21		21	

84 LEAD CERQUAD PACK



	MM		INCH	
	Min	Max	Min	Max
A	-	5.44	-	.214
C	0.15	0.25	.006	.010
D - E	-	30.20	-	1.189
D1 - E1	28.90	29.51	1.138	1.162
e	1.27 TYP		.050 TYP	
f	0.43	0.53	.017	.021
J	1.02 TYP		.040 TYP	
Q	28.19 TYP		1.110 TYP	
R	0.94 TYP		.037 TYP	
N1	21		21	
N2	21		21	

100 LEAD CERQUAD PACK

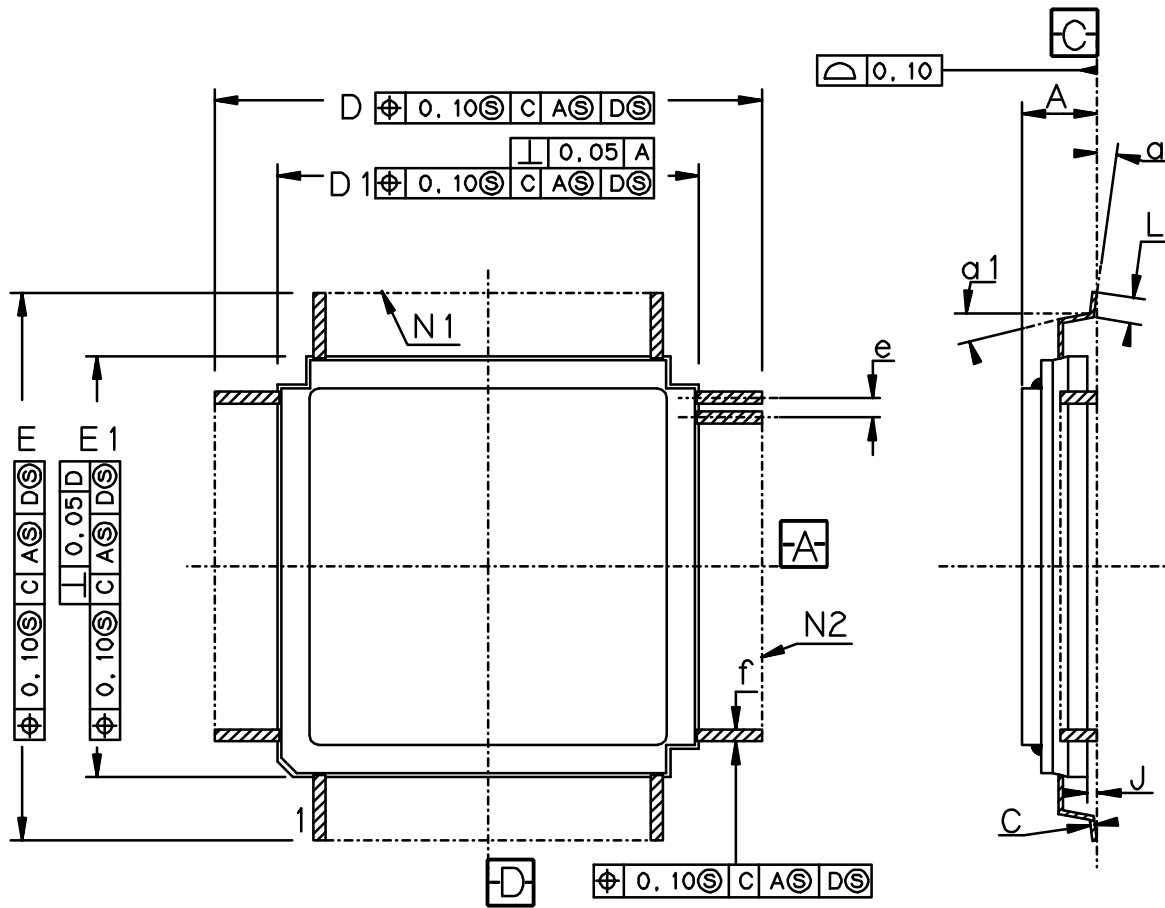


	MM		INCH	
	Min	Max	Min	Max
A	-	3.68	-	.145
C	0.15 TYP		.006 TYP	
D	23.76	24.48	.935	.964
D1	19.82	20.18	.780	.794
E	17.80	18.44	.701	.725
E1	13.86	14.14	.545	.557
e	0.65 BSC		.0256 BSC	
f	0.30	0.40	.011	.015
J	0.15	0.30	.006	.012
L	0.61	1.01	.024	.040
a	4°+- 4°			
a1	5°+- 5°			
N1	30		30	
N2	20		20	

CODE : LT

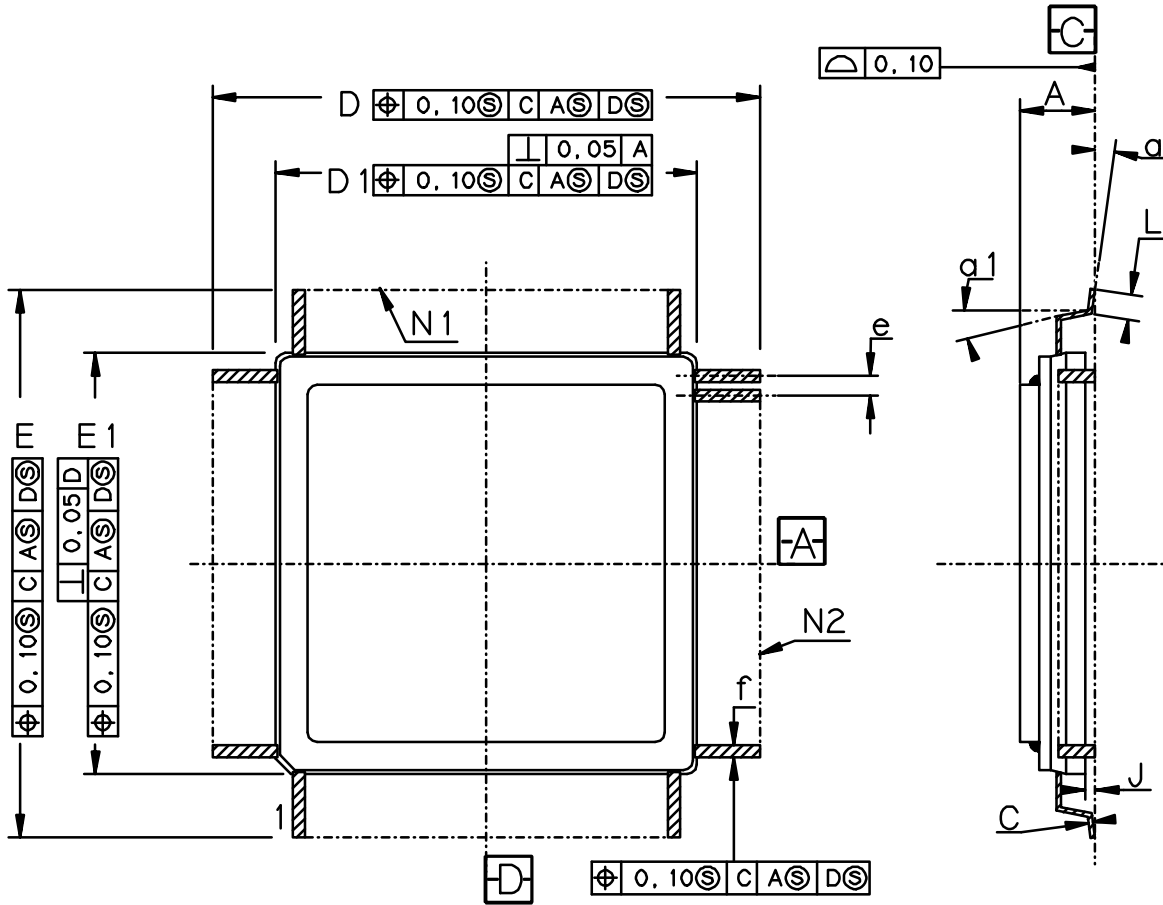
REV : A DATE : 21-09-94

124 LEAD CERQUAD PACK.



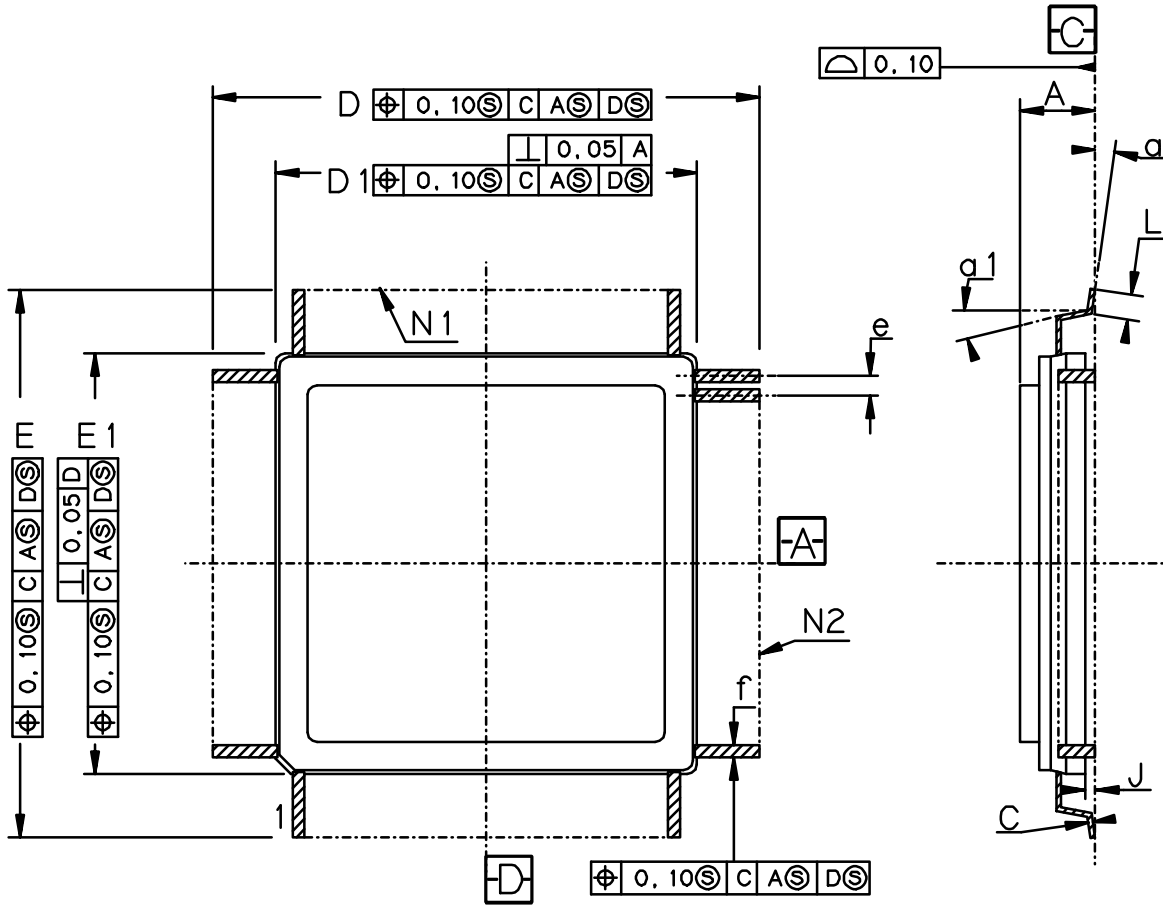
	MM		INCH	
	Min	Max	Min	Max
A	-	4.62	-	.182
C	0.15 TYP		.006 TYP	
D - E	27.36	28.26	1.077	1.112
D1 - E1	23.88	24.38	.940	.960
e	0.635 TYP		.025 TYP	
f	0.25	0.40	.010	.015
J	0.15	0.30	.006	.012
L	0.61	1.01	.024	.040
a	4°+- 4°			
a1	5°+- 5°			
N1 - N2	31		31	

128 LEAD CERQUAD PACK



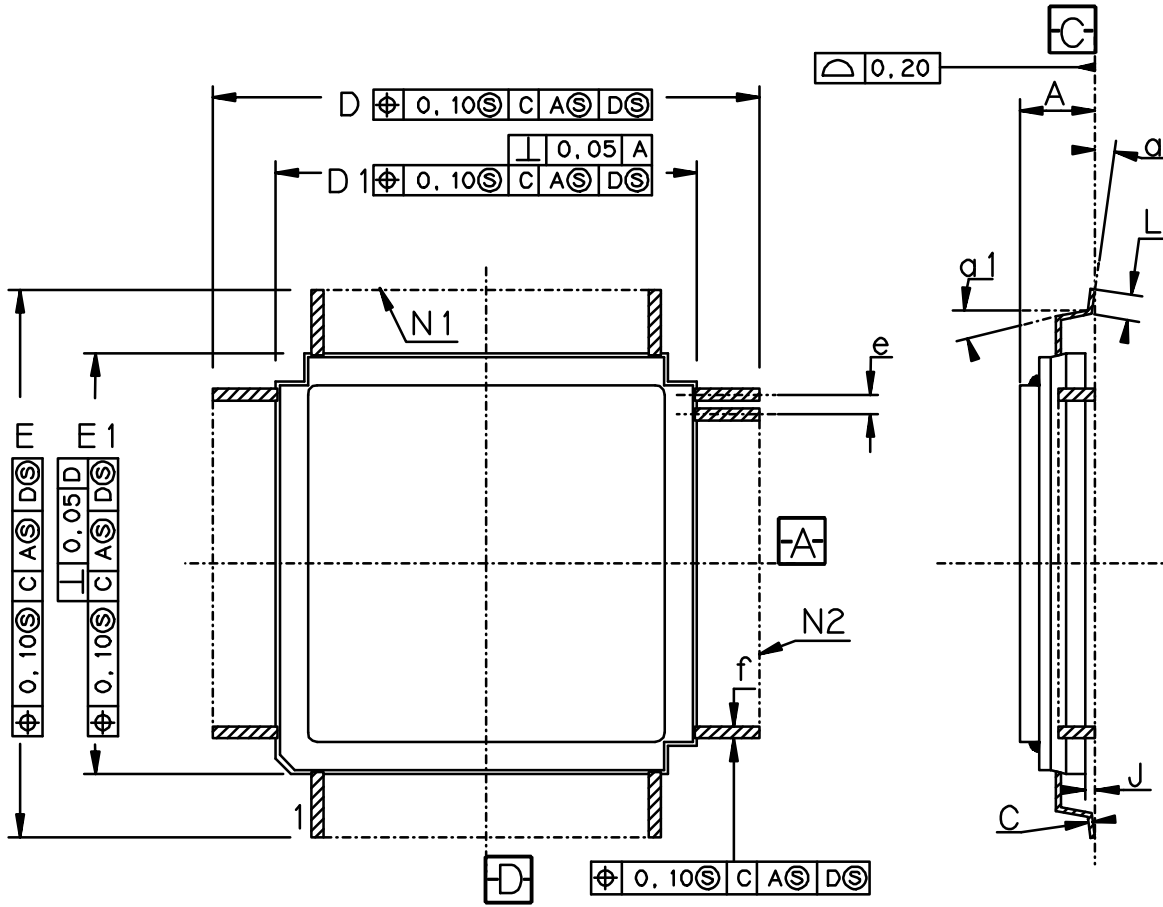
	MM		INCH	
	Min	Max	Min	Max
A	-	4.4	-	.173
C	0.15 TYP		.006 TYP	
D - E	31.72	32.68	1.249	1.287
D1 - E1	27.72	28.28	1.091	1.113
e	0.80 TYP		.0315 TYP	
f	0.25	0.55	.010	.022
J	0.15	0.30	.006	.012
L	0.61	1.01	.024	.040
a	4°+- 4°			
a1	5°+- 5°			
N1 - N2	32		32	

132 LEAD CERQUAD PACK



	MM		INCH	
	Min	Max	Min	Max
A	-	4.62	-	.182
C	0.15 TYP		.006 TYP	
D - E	27.36	28.26	1.077	1.112
D1 - E1	23.88	24.38	.940	.960
e	0.635 BSC		.025 BSC	
f	0.25	0.35	.010	.014
J	0.15	0.30	.006	.012
L	0.61	1.01	.024	.040
a	4°+- 4°			
a1	5°+- 5°			
N1 - N2	33		33	

132 LEAD CERQUAD PACK

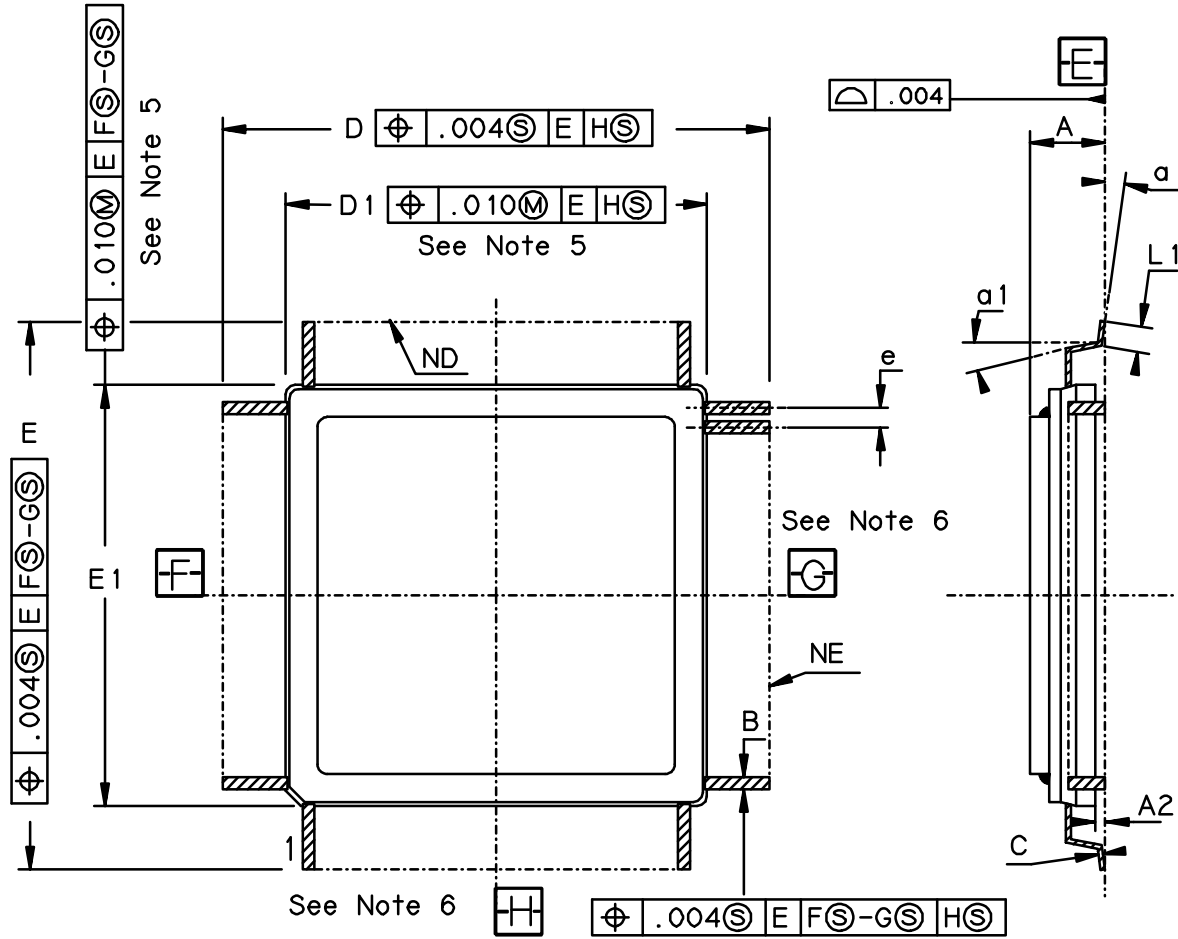


	MM		INCH	
	Min	Max	Min	Max
A	-	4.62	-	.182
C	0.15 TYP		.006 TYP	
D - E	27.36	28.26	1.077	1.112
D1 - E1	23.88	24.38	.940	.960
e	0.635 TYP		.025 TYP	
f	0.25	0.40	.010	.015
J	0.15	0.30	.006	.012
L	0.61	1.01	.024	.040
a	4°+- 4°			
a1	5°+- 5°			
N1 - N2	33		33	

CODE : LN

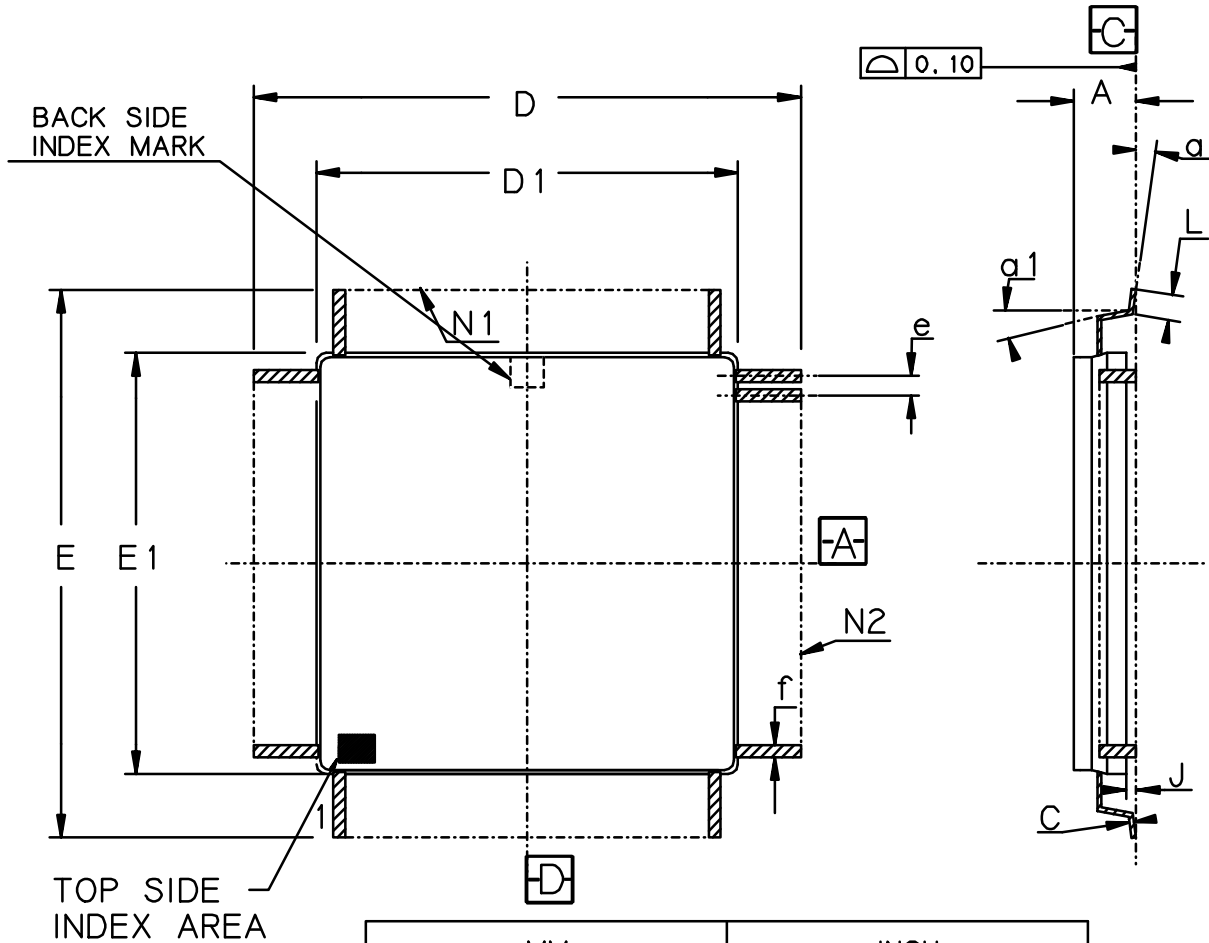
REV : J DATE : 22-06-95

160 LEAD CER QUAD PACK (EIAJ TYPE)



	MM		INCH	
	Min	Max	Min	Max
A	-	4.4	-	.173
A2	0.15	0.30	.006	.012
B	0.25	0.55	.010	.022
C	0.15 TYP		.006 TYP	
D - E	31.42	32.68	1.237	1.287
D1 - E1	26.92	28.28	1.059	1.113
e	0.65 TYP		.0256 TYP	
L1	0.61	1.01	.024	.040
a	4° ± 4°			
a1	5° ± 5°			
ND - NE	40		40	

196 LEAD CER QUAD PACK

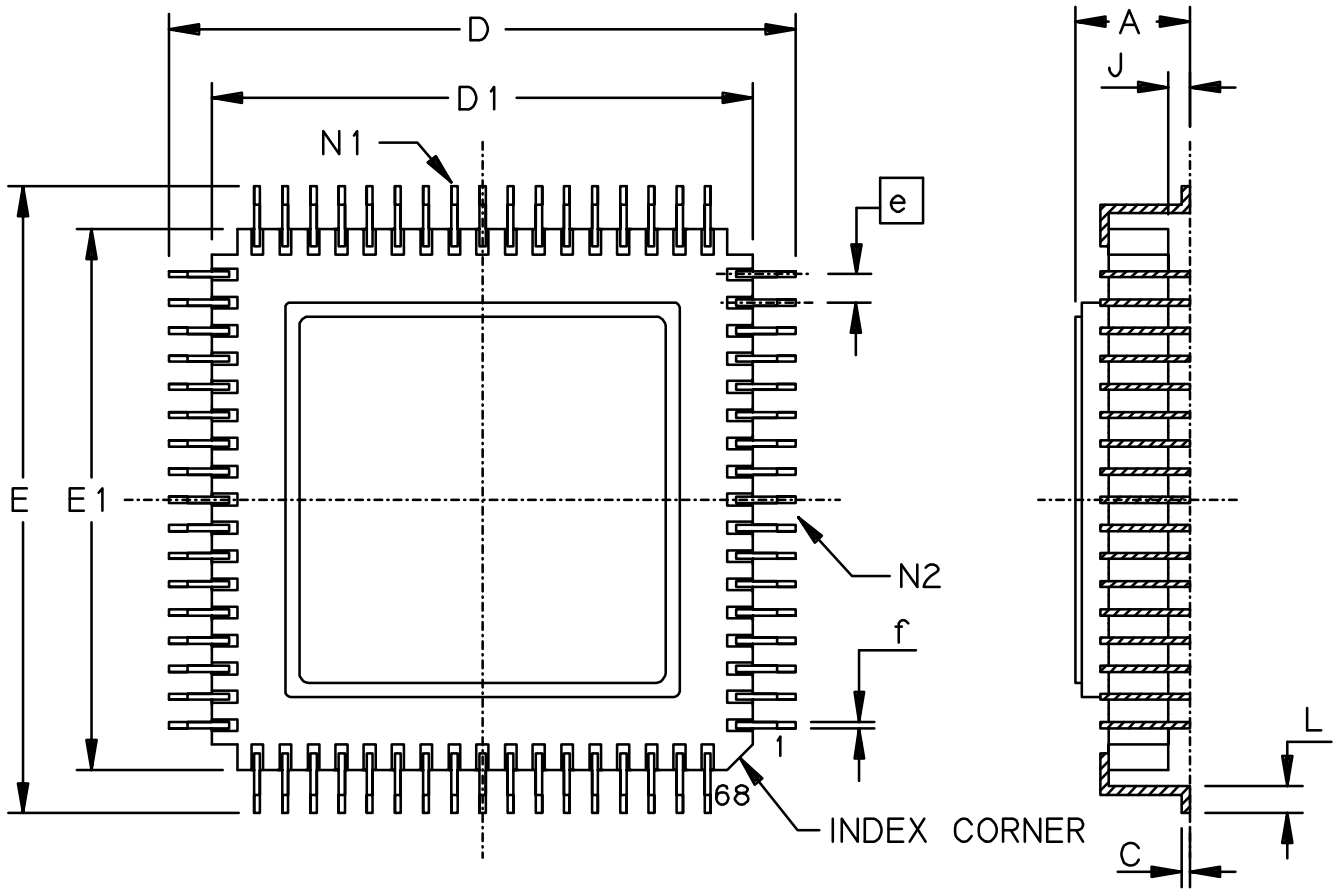


	MM		INCH	
	Min	Max	Min	Max
A	-	4.31	-	.170
C	0.15 TYP		.006 TYP	
D - E	38.74	39.74	1.526	1.564
D1- E1	31.70	32.30	1.248	1.272
e	0.635TYP		.025 TYP	
f	0.25	0.37	.010	.014
J	0.15	0.30	.006	.012
L	0.61	1.01	.024	.040
a	4°+- 4°			
a1	5°+- 5°			
N1 - N2	49		49	

CODE : LX

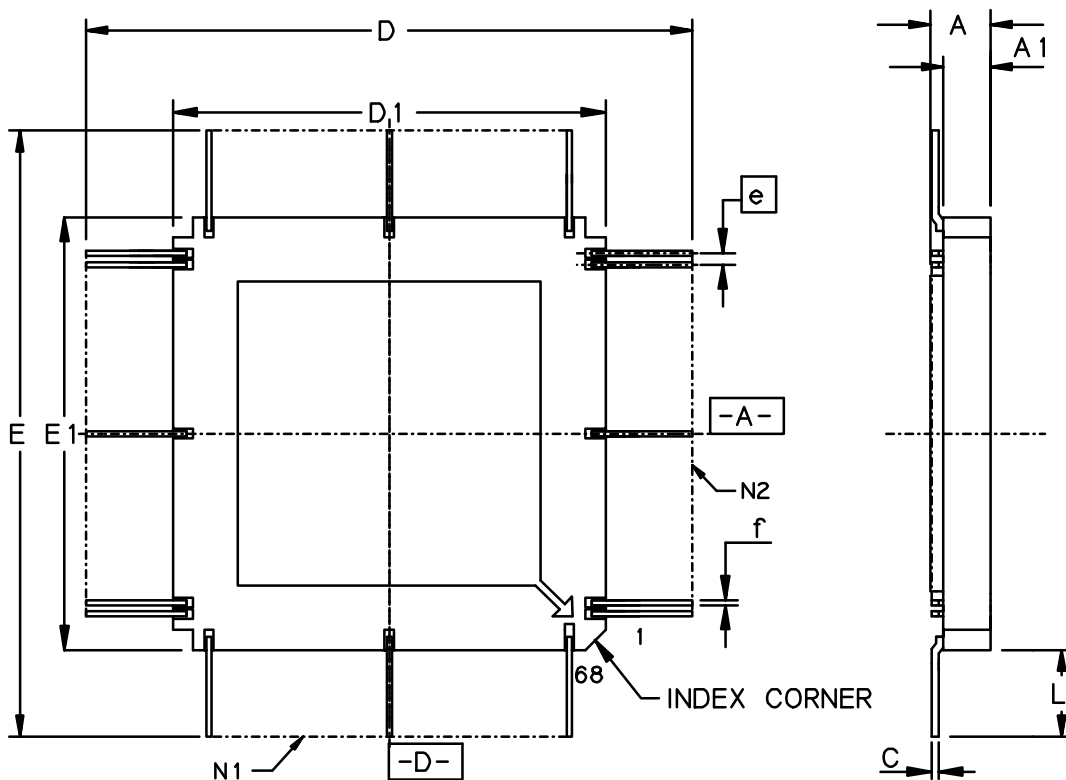
REV : A | DATE : 10-11-94

68 LEAD FLAT PACK



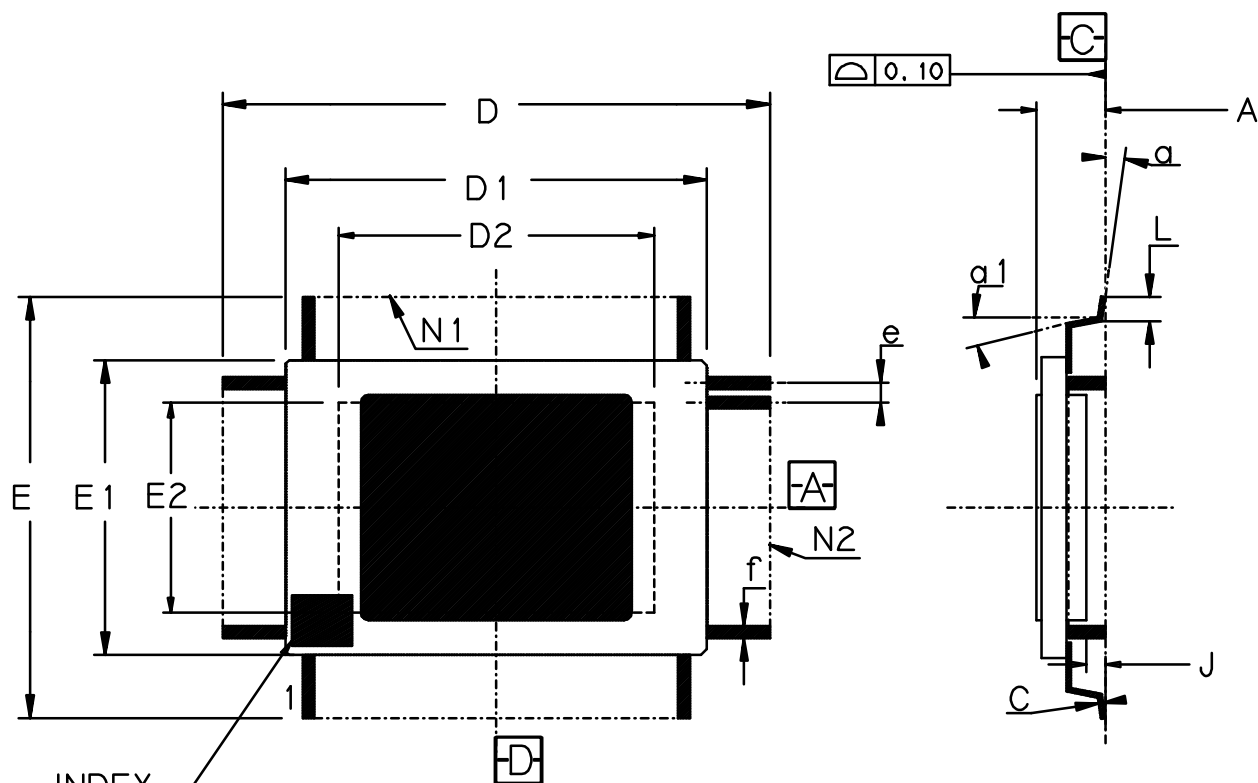
	MM		INCH	
	Min	Max	Min	Max
A	2.41	3.10	.095	.122
C	0.10	0.20	.004	.008
D	28.60	29.51	1.126	1.162
D1	24.00	24.51	.945	.965
E	28.60	29.51	1.126	1.162
E1	24.00	24.51	.945	.965
e	1.27 BSC		.050 BSC	
f	0.30 TYP		.012 TYP	
J	0.40	0.60	.015	.024
L	1.20	1.60	.047	.063
N1	17		17	
N2	17		17	

68 LEAD FLAT PACK



	mm		mils	
	Min	Max	Min	Max
A	2.21	2.54	.072	.100
C	0.10	0.20	.004	.008
D	41.66	47.50	1.640	1.870
D1	23.75	24.51	0.935	0.965
E	41.66	47.50	1.640	1.870
E1	23.75	24.51	0.935	0.965
e	1.270 BSC		.050 BSC	
f	0.30 BSC		.012 BSC	
A1	1.82	2.24	.072	.088
L	8.890	11.43	.350	.450
N1	17		17	
N2	17		17	

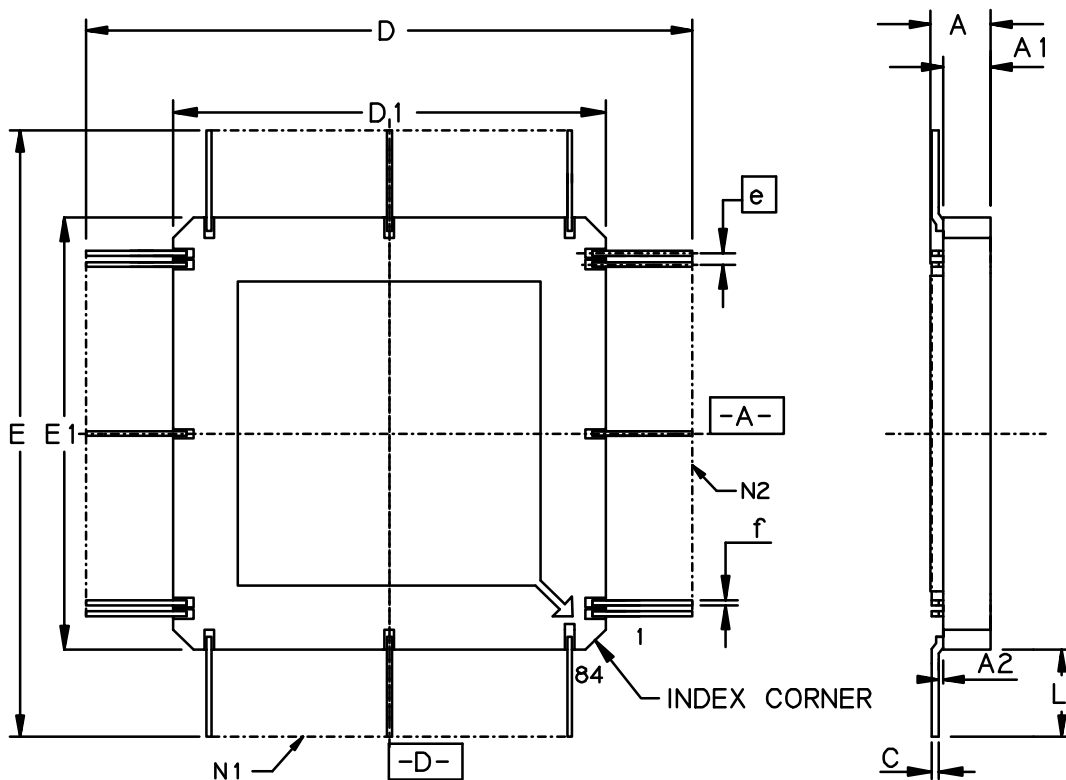
80 LEAD MQFPL



INDEX AREA

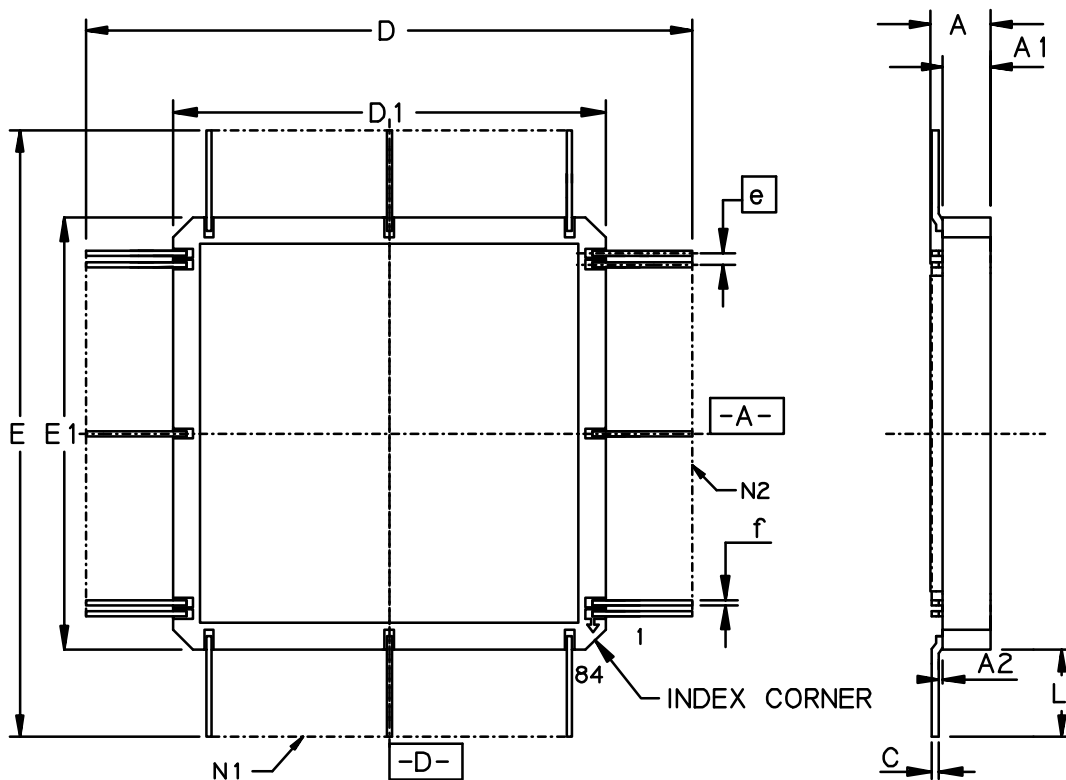
	Min	MM	Max	Min	INCH	Max
A	-		3.81	-		.150
C	0.15 TYP			.006 TYP		
D	23.76		24.48	.935		.964
D1	19.80		20.20	.780		.795
E	17.80		18.44	.701		.725
E1	13.85		14.15	.545		.557
e	0.80 BSC			.0315 BSC		
f	0.27		0.37	.010		.015
J	0.10		0.36	.004		.014
L	0.61		1.01	.024		.040
D2	15.87		16.13	.624		.635
E2	9.87		10.13	.388		.399
	$\alpha = 4^{\circ} \pm 4^{\circ}$			$\alpha 1 = 5^{\circ} \pm 5^{\circ}$		
	N1=24			N2=16		

84 LEAD FLAT PACK



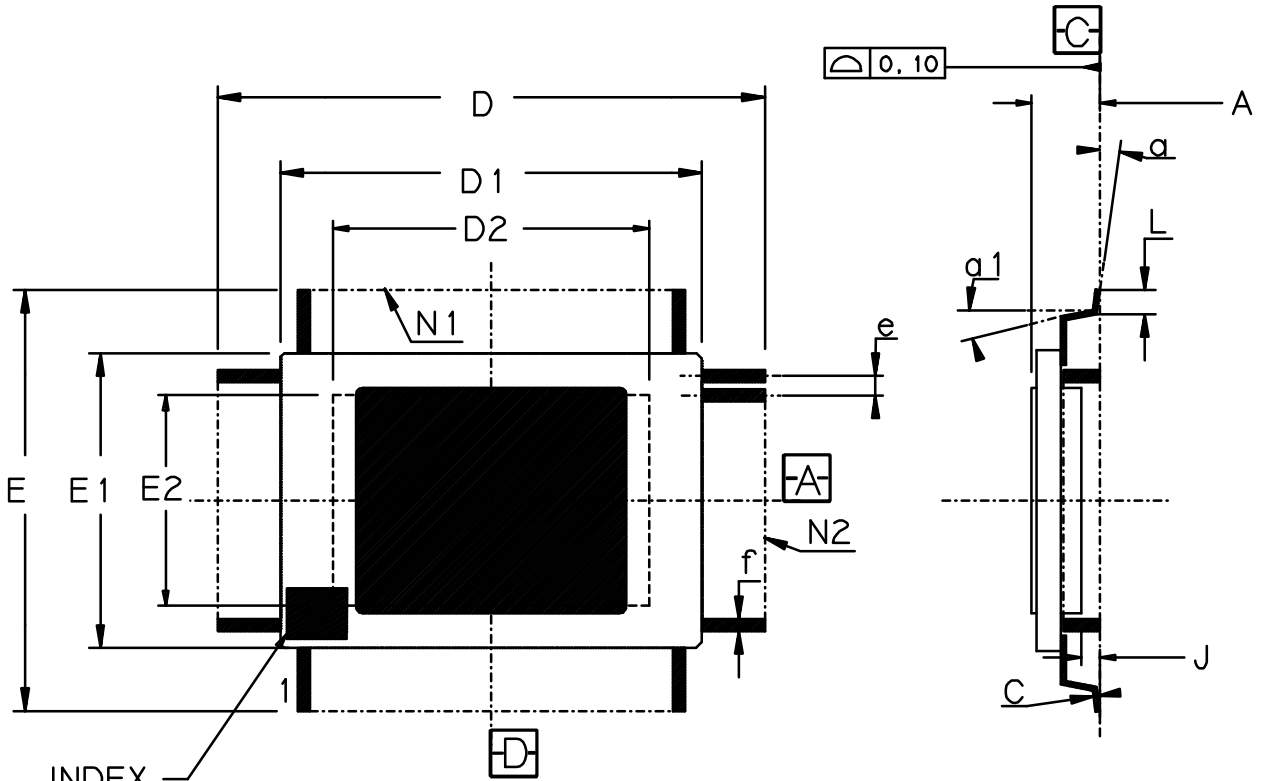
	mm		mils	
	Min	Max	Min	Max
A	1.80	2.44	.071	.096
C	0.10	0.20	.004	.008
D	33.66	34.93	1.325	1.375
D1	16.38	16.64	0.645	0.655
E	33.65	34.93	1.325	1.375
E1	16.38	16.64	0.645	0.655
e	0.635 BSC		.025 BSC	
f	0.20	0.30	.008	.012
A1	1.17	1.80	.046	.071
A2	0.05	0.36	.002	.014
L	8.636	9.144	.340	.360
N1	21		21	
N2	21		21	

84 LEAD FLAT PACK



	mm		INCH	
	Min	Max	Min	Max
A	2.05	2.89	.081	.114
C	0.22	0.31	.009	.012
D	48.77	50.28	1.920	1.980
D1	28.96	29.46	1.140	1.160
E	48.77	50.28	1.920	1.980
E1	28.96	29.46	1.140	1.160
e	1.270 BSC		.050 BSC	
f	0.457 REF		.018 REF	
A1	1.82	2.67	.072	.105
A2	0.356 MAX		.014 MAX	
L	8.84	11.43	.348	.450
N1	21		21	
N2	21		21	

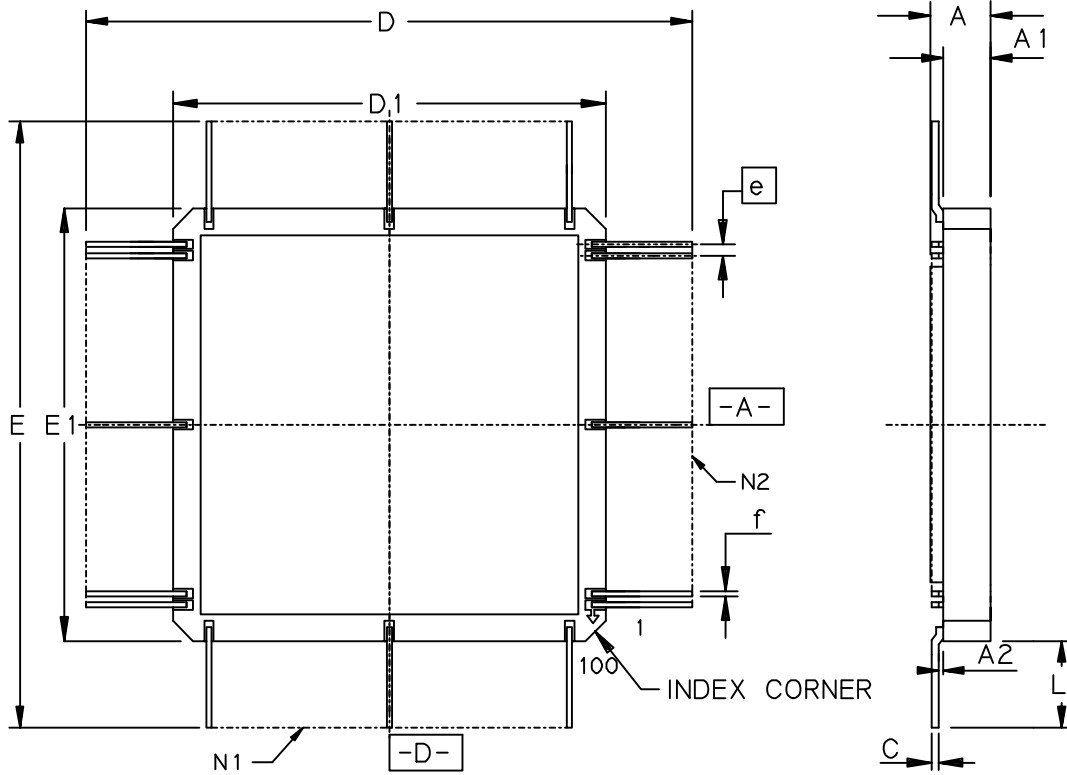
100 LEAD MQFPL



INDEX AREA

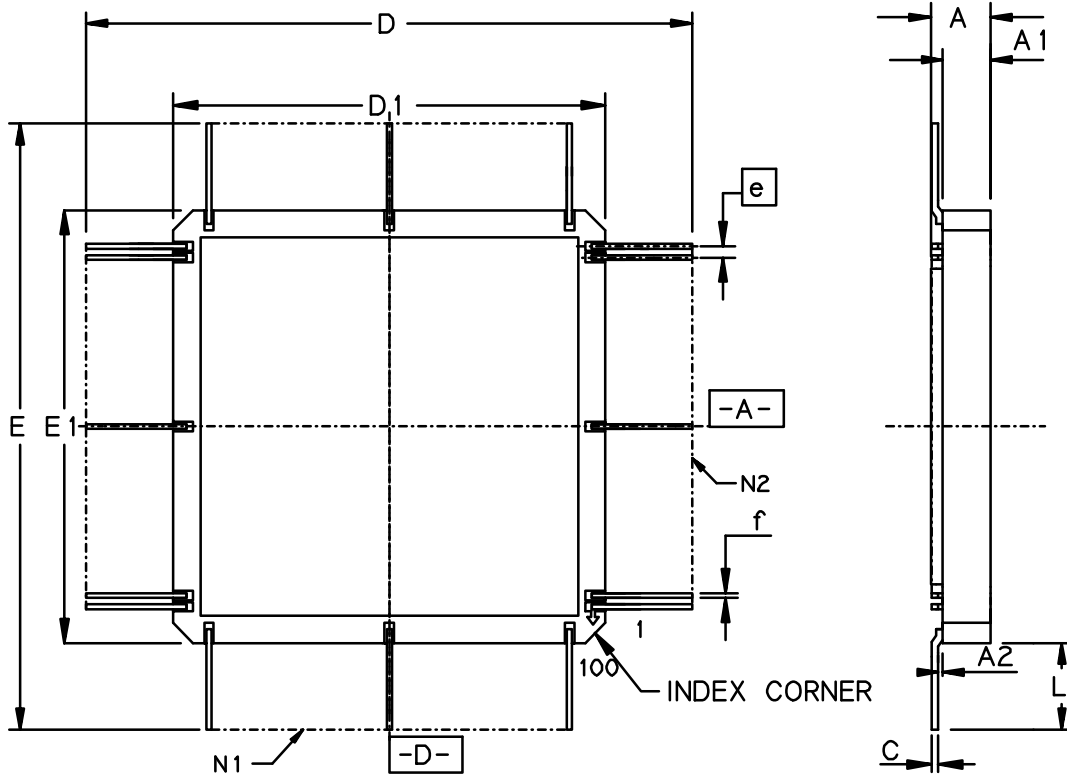
	Min	MM	Max	Min	INCH	Max
A	-		3.81	-		.150
C	0.15 TYP			.006 TYP		
D	23.76		24.48	.935		.964
D1	19.80		20.20	.780		.795
E	17.80		18.44	.701		.725
E1	13.85		14.15	.545		.557
e	0.65 BSC			.0256 BSC		
f	0.22		0.38	.008		.015
J	0.10		0.36	.004		.014
L	0.61		1.01	.024		.040
D2	15.87		16.13	.624		.635
E2	9.87		10.13	.388		.399
			$\alpha = 4^\circ \pm 4^\circ$	$\alpha 1 = 5^\circ \pm 5^\circ$		
			N1=30	N2=20		

100 LEAD FLAT PACK



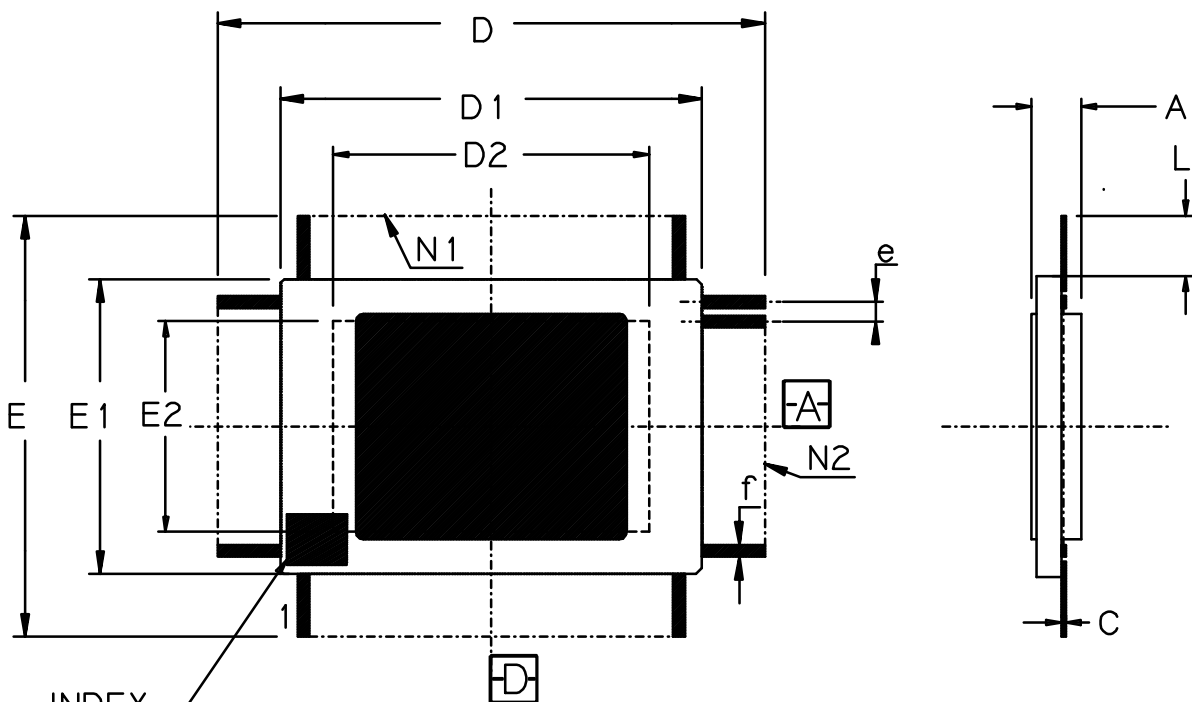
	Min	Max	Min	Max
A	1.86	2.21	.073	.087
C	0.15	0.20	.006	.008
D	31.80	32.80	1.252	1.291
D1	18.80	19.30	.740	.760
E	31.80	32.80	1.252	1.450
E1	18.80	19.30	.740	.760
e	0.635 BSC		.025 BSC	
f	0.254 REF		.010 REF	
A1	1.47	1.82	.058	.072
A2	0.203 REF		.008 REF	
L	6.50	6.75	.256	.266
N1	25		25	
N2	25		25	

100 LEAD FLAT PACK



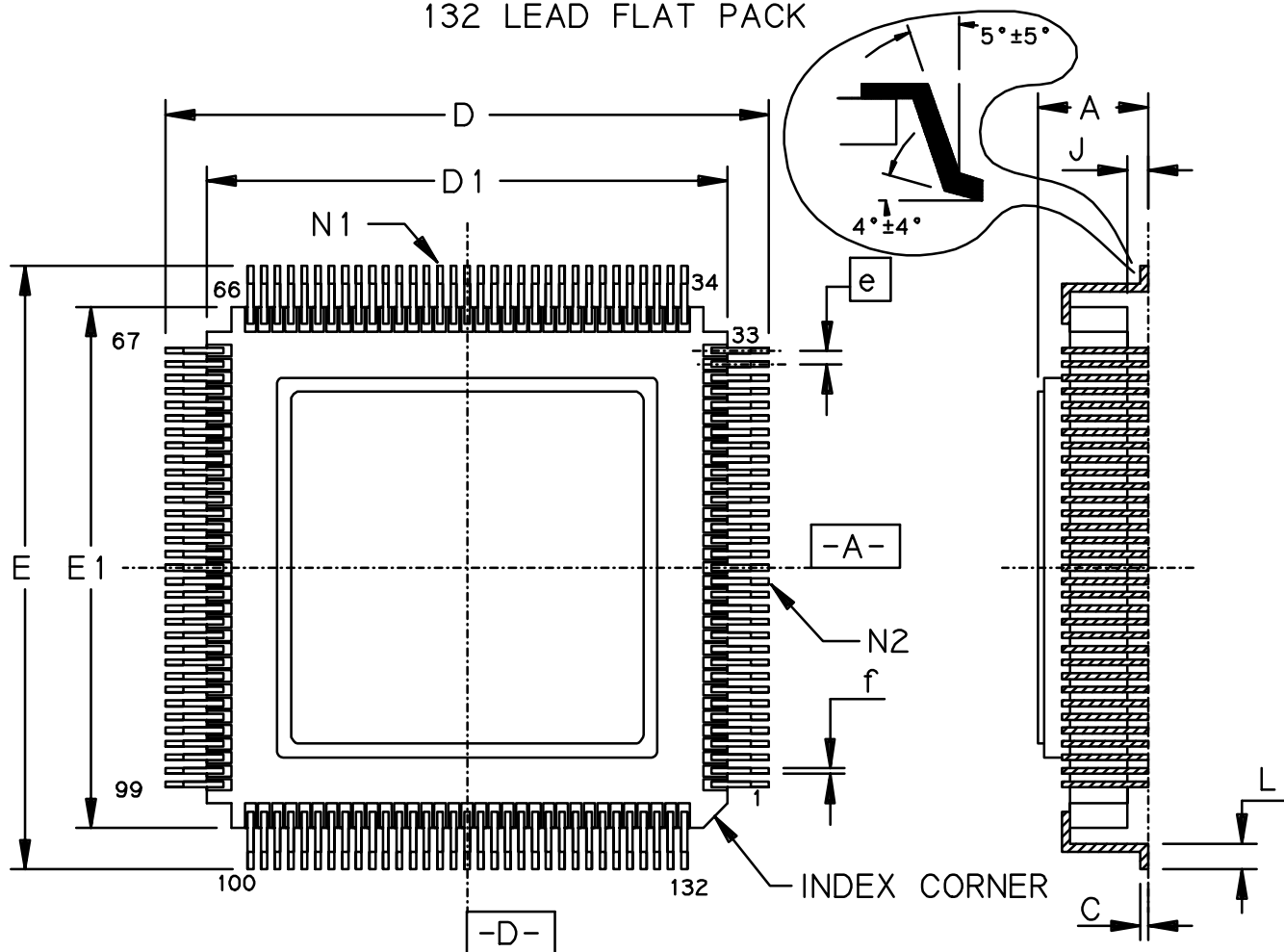
	Min	Max	Min	Max
A	2.21	2.67	.087	.105
C	0.15	0.20	.006	.008
D	31.80	32.80	1.252	1.291
D1	18.80	19.30	.740	.760
E	31.80	32.80	1.252	1.450
E1	18.80	19.30	.740	.760
e	0.635 BSC		.025 BSC	
f	0.254 REF		.010 REF	
A1	1.83	2.24	.072	.088
A2	0.203 REF		.008 REF	
L	6.50	6.75	.256	.266
N1	25		25	
N2	25		25	

100 LEAD MQFPF



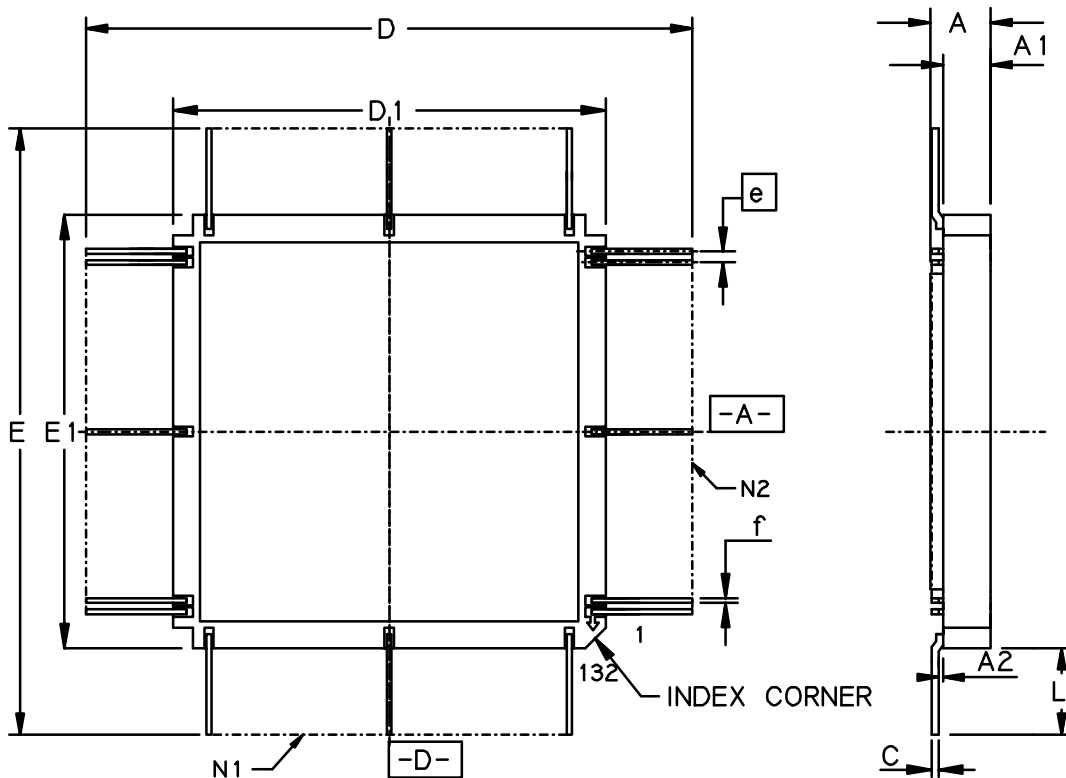
	MM		INCH	
	Min	Max	Min	Max
A	-	3.30	-	.130
C	0.15 TYP		.006 TYP	
D	27.50	28.50	1.08	1.12
D1	19.80	20.20	.780	.795
E	21.50	22.50	.846	.886
E1	13.85	14.15	.545	.557
e	0.65 BSC		.0256 BSC	
f	0.22	0.38	.008	.015
L	3.70	4.30	.146	.170
D2	15.87	16.13	.624	.635
E2	9.87	10.13	.388	.399
	N1=30		N2=20	

132 LEAD FLAT PACK



	MM		INCH	
	Min	Max	Min	Max
A	2.46	3.12	.097	.123
C	0.152 TYP		.006 TYP	
D	27.36	28.26	1.077	1.113
D1	24.00	24.38	.945	.960
E	27.36	28.26	1.077	1.113
E1	24.00	24.38	.945	.960
e	0.635 BSC		.025 BSC	
f	0.20 REF		.008 REF	
J	0.15	0.30	.006	.012
L	0.61	1.01	.024	.040
N1	33		33	
N2	33		33	

132 LEAD FLAT PACK

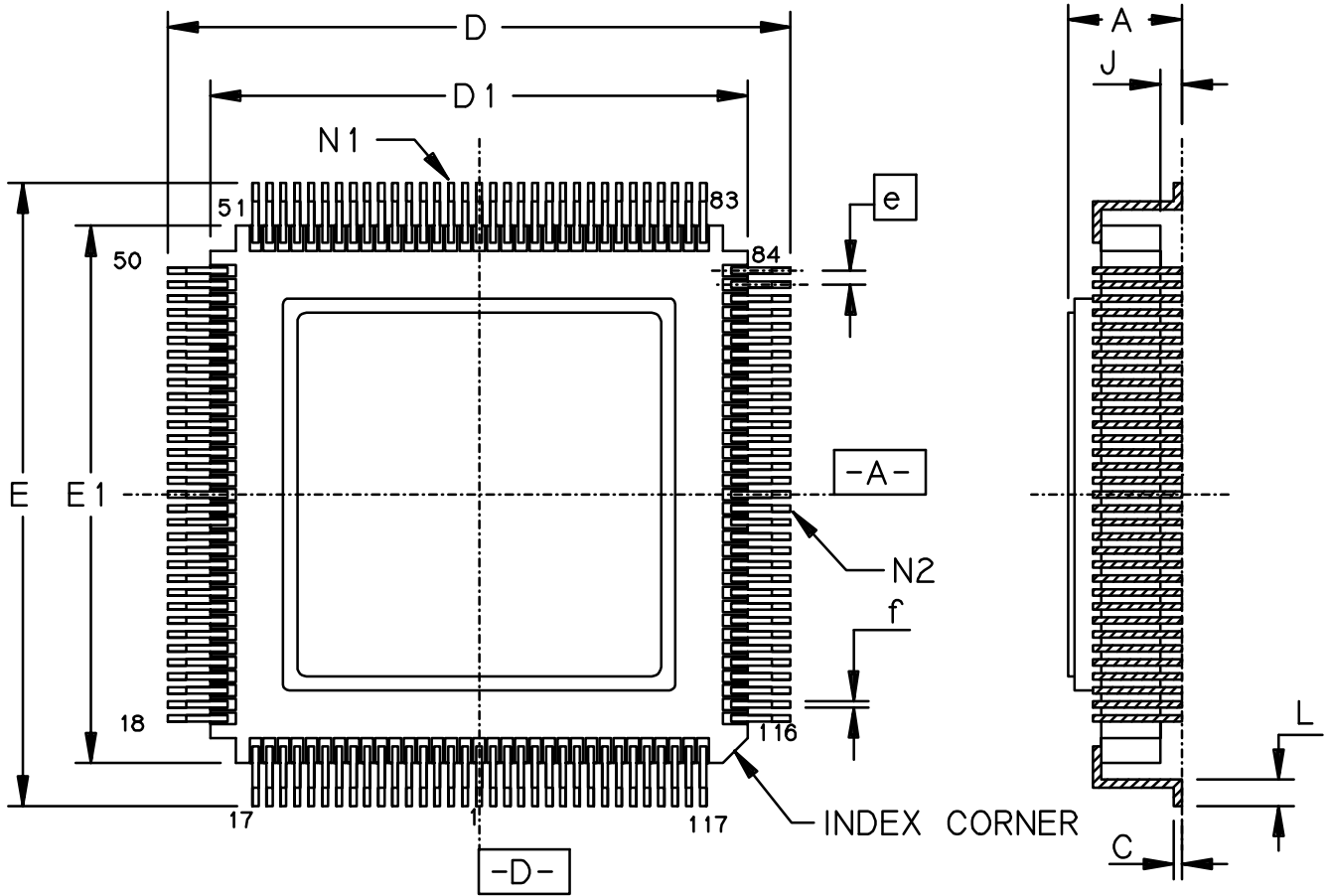


	Min	Max	Min	Max
A	2.36	2.82	.093	.111
C	0.152 TYP.		.006 TYP.	
D	37.00	39.38	1.457	1.550
D1	24.00	24.38	.945	.960
E	37.00	39.38	1.457	1.550
E1	24.00	24.38	.945	.960
e	0.635 BSC		.025 BSC	
f	0.200 REF		.008 REF	
A1	1.47	1.83	.058	.072
A2	0.203 REF		.008 REF	
L	6.50	7.50	.256	.295
N1	33		33	
N2	33		33	

CODE : KN

REV : 0 DATE : 03-05-95

132 LEAD FLAT PACK

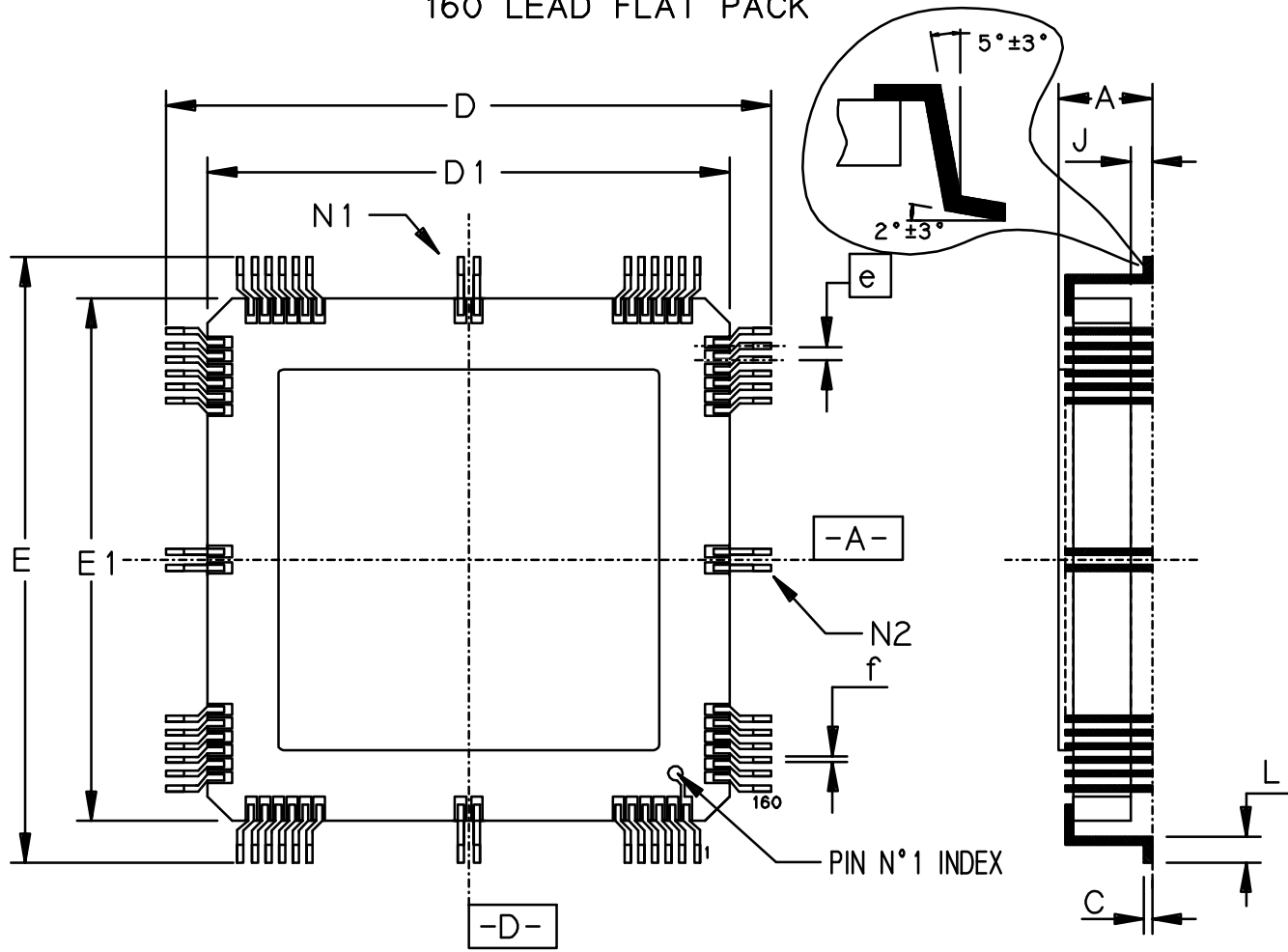


	MM		INCH	
	Min	Max	Min	Max
A	2.24	2.79	.088	.110
C	0.127 TYP		.005 TYP	
D	27.36	28.26	1.077	1.113
D1	24.00	24.38	.945	.960
E	27.36	28.26	1.077	1.113
E1	24.00	24.38	.945	.960
e	0.635 BSC		.025 BSC	
f	0.36 REF		.014 REF	
J	0.15	0.30	.006	.012
L	0.61	1.01	.024	.040
N1	33		33	
N2	33		33	

CODE : FN

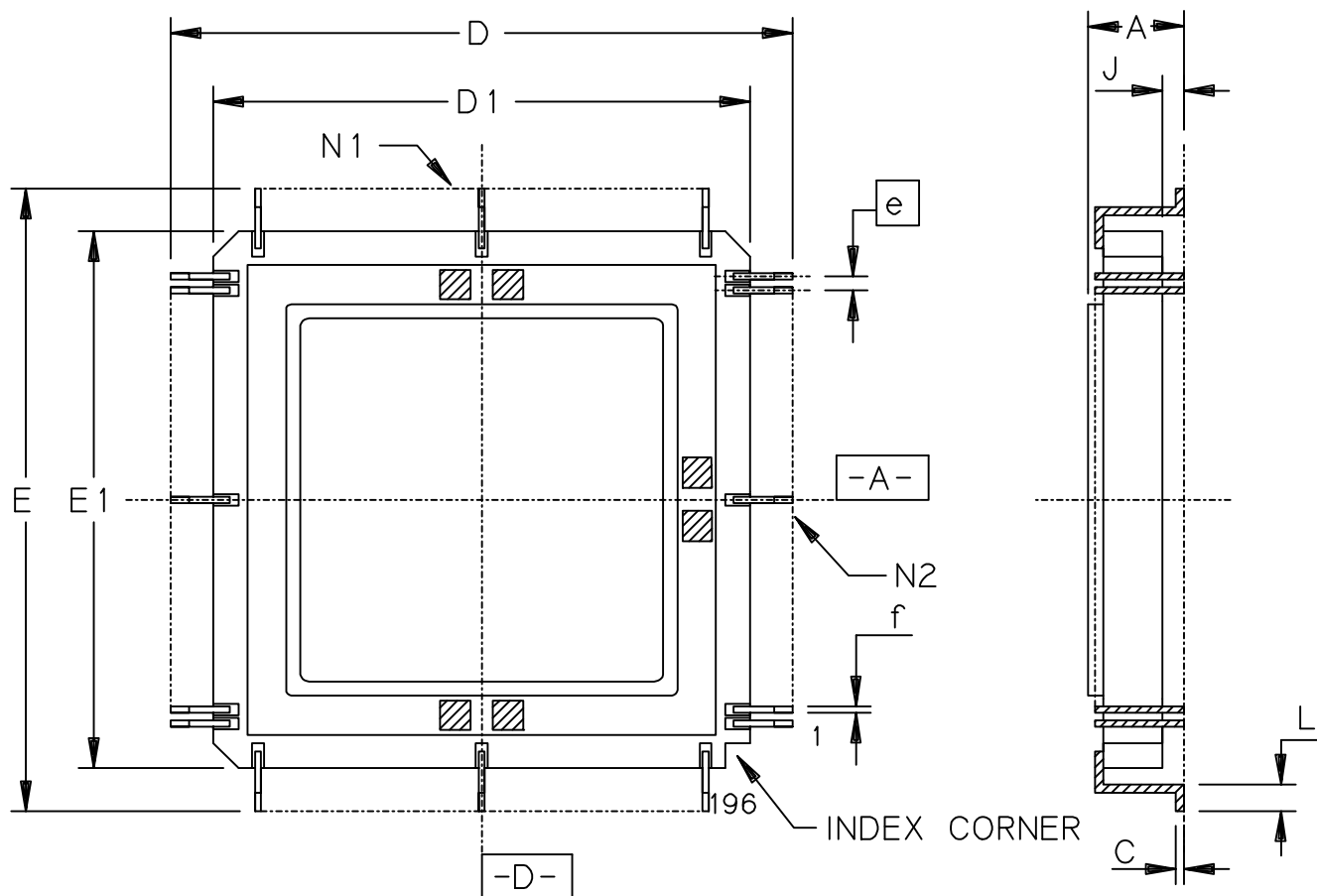
REV : B | DATE : 15-06-94

160 LEAD FLAT PACK



	MM		INCH	
	Min	Max	Min	Max
A	2.44	3.60	.096	.142
C	0.15 TYP		.006 TYP	
D	31.93	32.67	1.257	1.286
D1	26.93	27.47	1.060	1.082
E	31.93	32.67	1.257	1.286
E1	26.93	27.47	1.060	1.082
e	0.65 BSC		.0256 BSC	
f	0.30 REF		.012 REF	
J	0.50	1.00	.020	.040
L	1.21	1.41	.047	.056
N1	40		40	
N2	40		40	

196 LEAD FLAT PACK

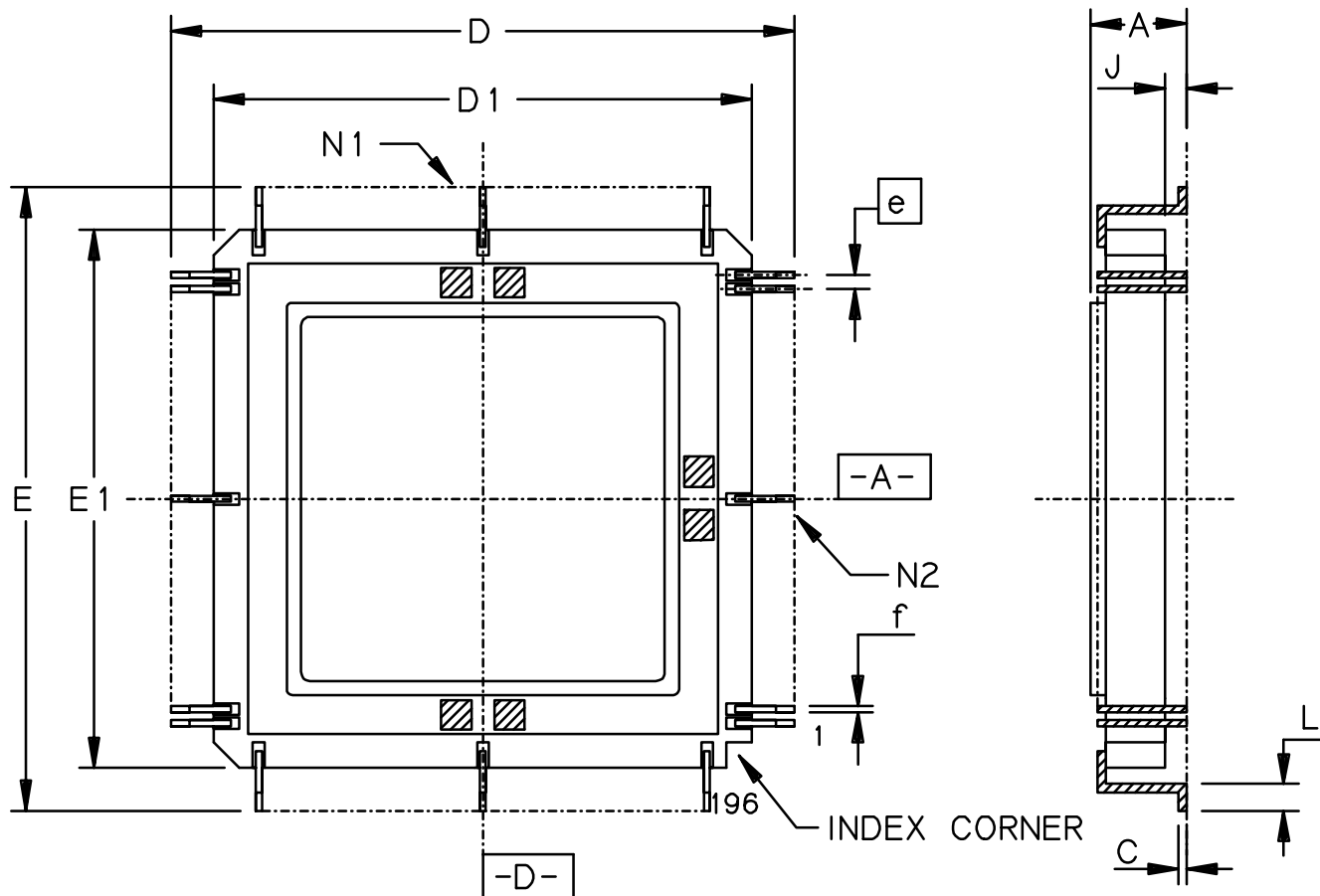


	Min	Max	Min	Max
A	-	2.95	-	.116
C	0.20 TYP		.008 TYP	
D	-	39.75	-	1.565
D1	-	34.54	-	1.360
E	-	39.75	-	1.565
E1	-	34.54	-	1.360
e	0.635 BSC		.025 BSC	
f	0.28 REF		.011 REF	
J	0.15	0.30	.006	.012
L	0.61	1.01	.024	.040
N1	49		49	
N2	49		49	

CODE : FX

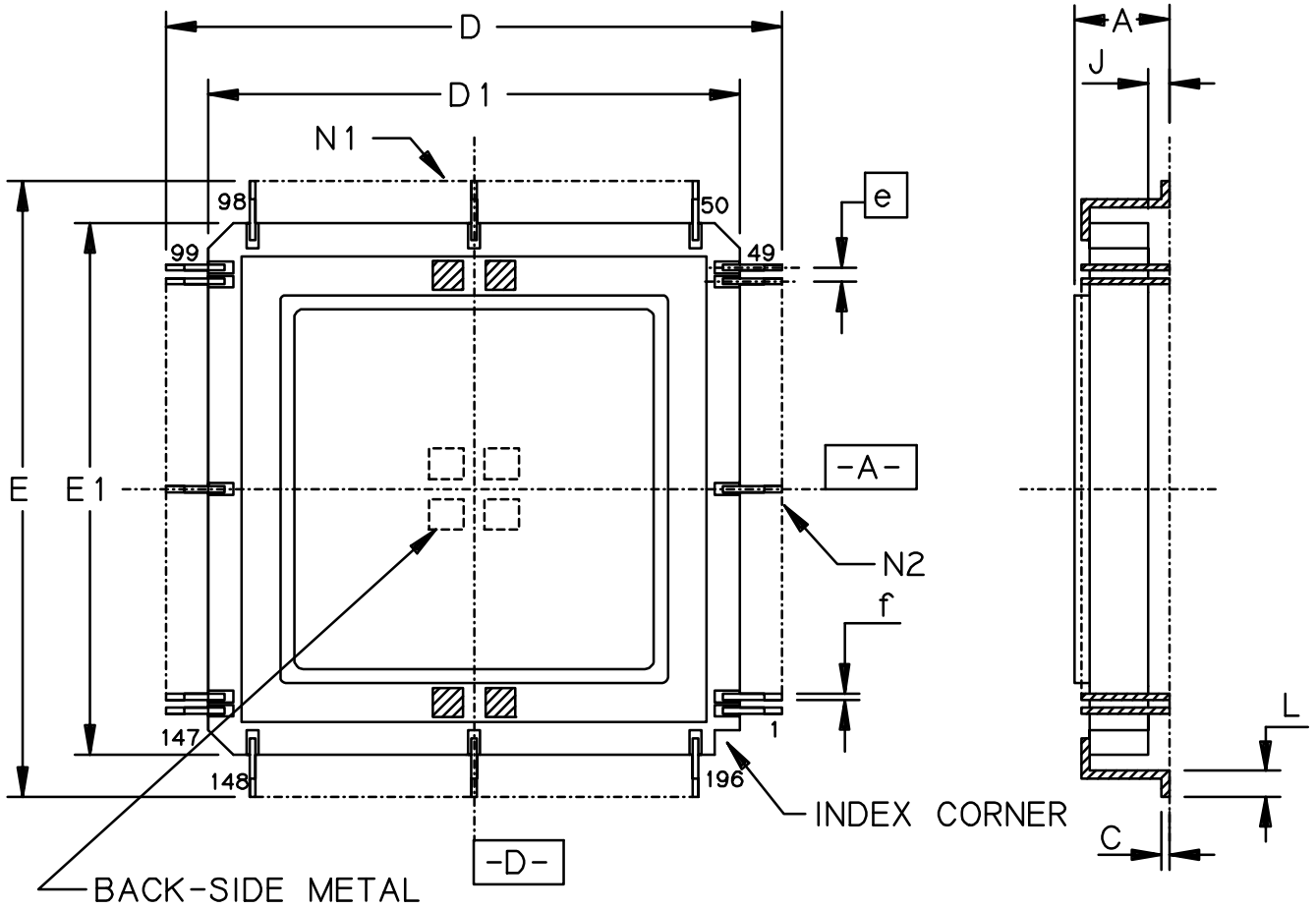
REV : A | DATE : 25-08-93

196 LEAD FLAT PACK



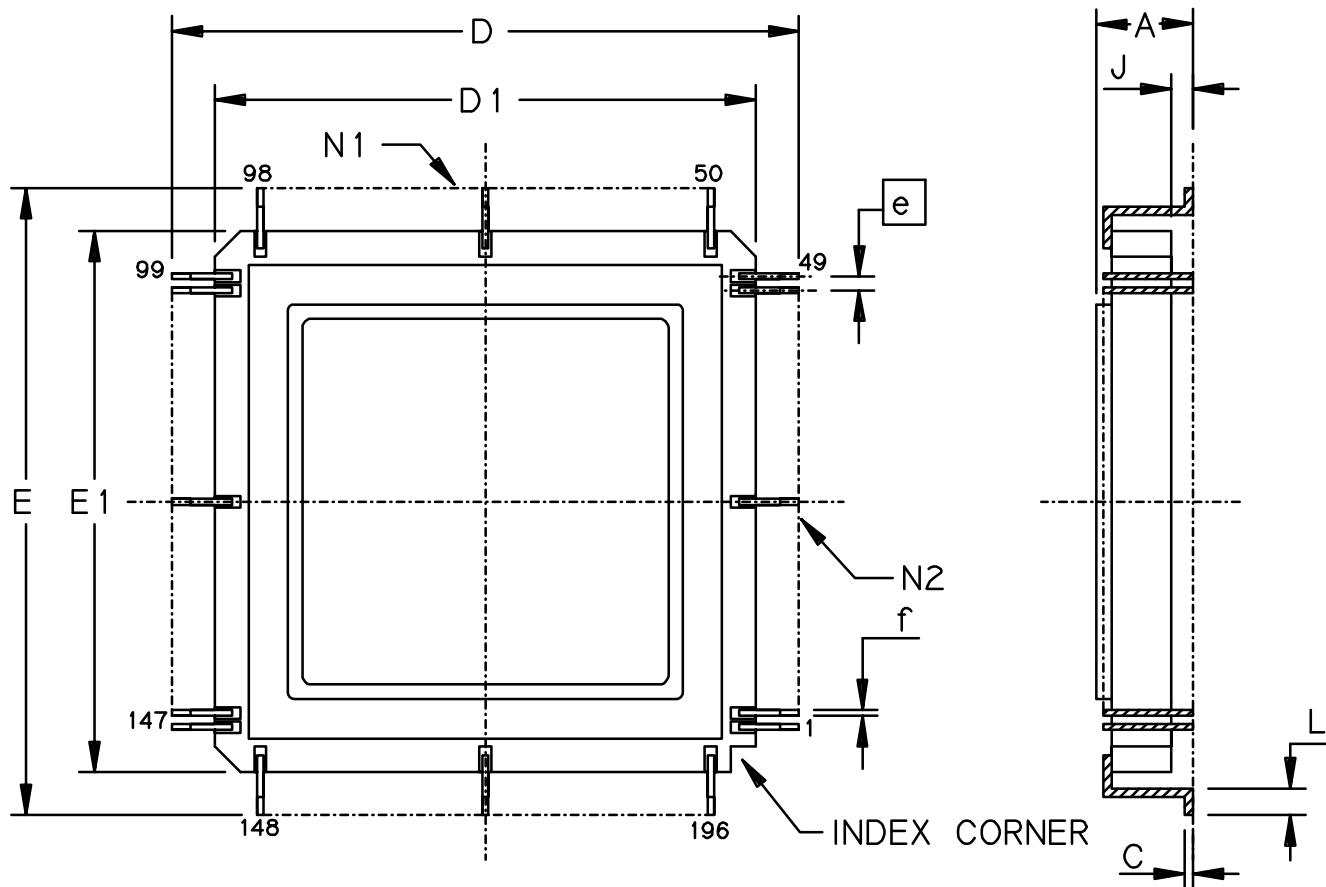
	Min	Max	Min	Max
A	-	2.95	-	.116
C	0.20 TYP		.008 TYP	
D	-	39.75	-	1.565
D1	-	34.54	-	1.360
E	-	39.75	-	1.565
E1	-	34.54	-	1.360
e	0.635 BSC		.025 BSC	
f	0.28 REF		.011 REF	
J	0.15	0.30	.006	.012
L	0.61	1.01	.024	.040
N1	49		49	
N2	49		49	

196 LEAD FLAT PACK



	Min	Max	Min	Max
A	-	2.95	-	.116
C	0.20 TYP		.008 TYP	
D	-	39.75	-	1.565
D1	-	34.54	-	1.360
E	-	39.75	-	1.565
E1	-	34.54	-	1.360
e	0.635 BSC		.025 BSC	
f	0.28 REF		.011 REF	
J	0.15	0.30	.006	.012
L	0.61	1.01	.024	.040
N1	49		49	
N2	49		49	

196 LEAD FLAT PACK

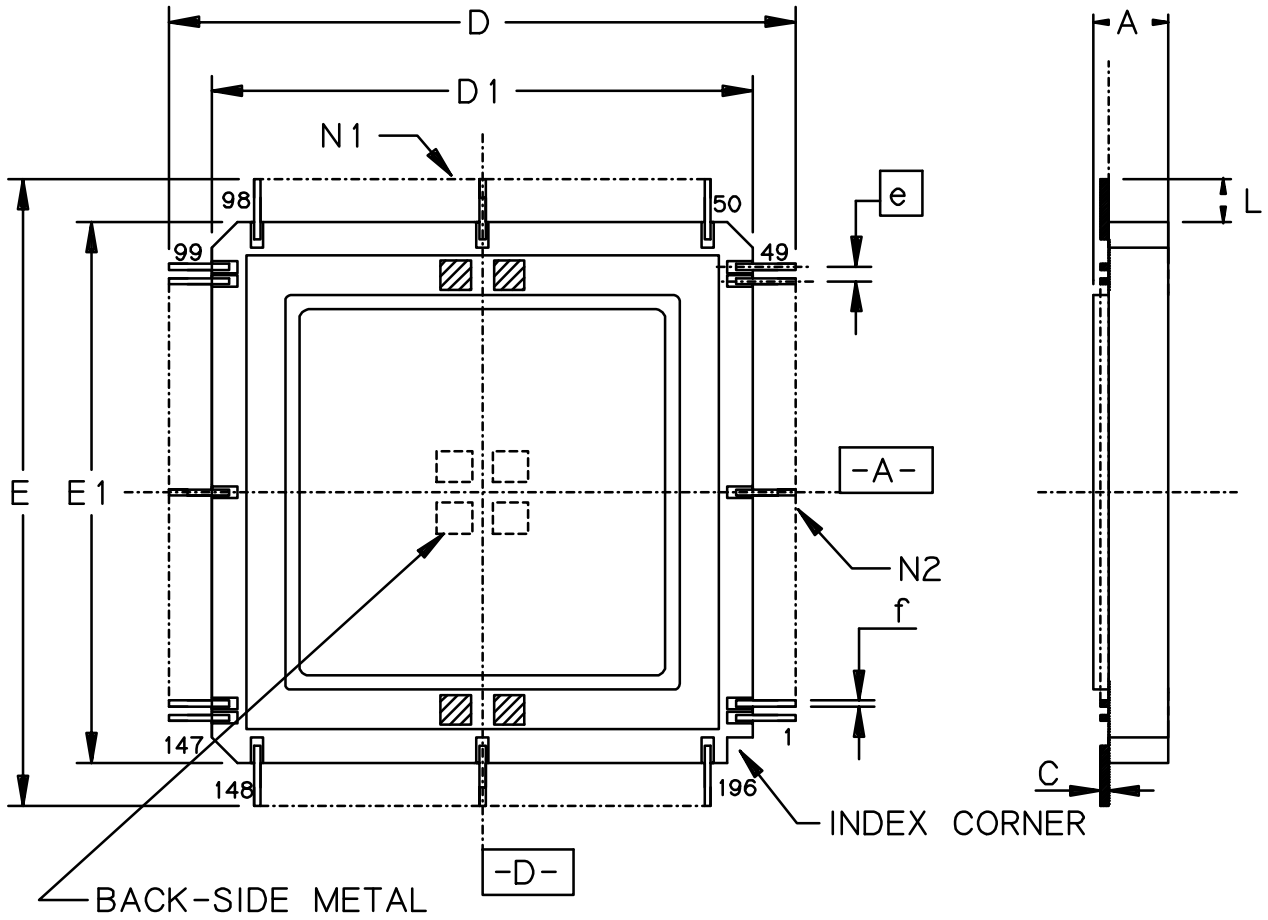


	Min	Max	Min	Max
A	-	2.95	-	.116
C	0.20 TYP		.008 TYP	
D	-	39.75	-	1.565
D1	-	34.54	-	1.360
E	-	39.75	-	1.565
E1	-	34.54	-	1.360
e	0.635 BSC		.025 BSC	
f	0.28 REF		.011 REF	
J1	0.15	0.30	.006	.012
L	0.61	1.01	.024	.040
N1	49		49	
N2	49		49	

CODE : F9

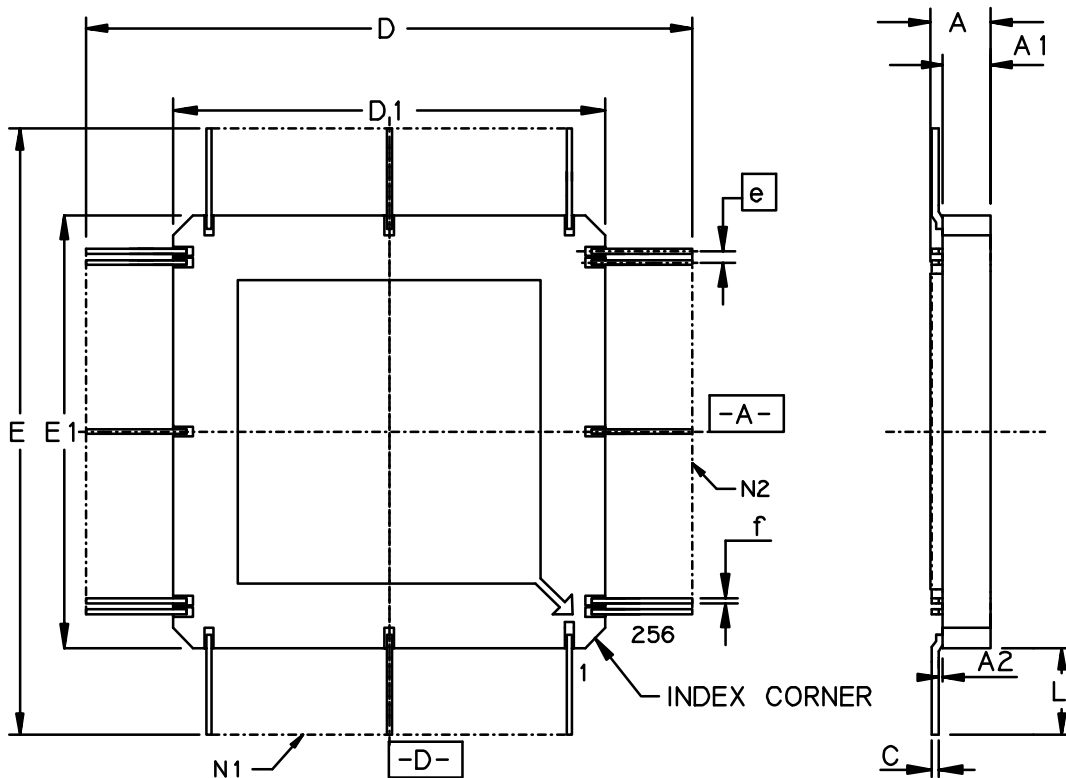
REV : C DATE : 19-10-95

196 LEAD FLAT PACK



	Min	Max	Min	Max
A	-	2.65	-	.104
C	0.15 TYP		.006 TYP	
D	-	45.94	-	1.809
D1	-	34.54	-	1.360
E	-	45.94	-	1.809
E1	-	34.54	-	1.360
e	0.635 BSC		.025 BSC	
f	0.20 REF		.008 REF	
L	5.30	5.70	.212	.228
N1	49		49	
N2	49		49	

256 LEAD FLAT PACK



	mm		mils	
	Min	Max	Min	Max
A	2.41	3.18	.095	.125
C	0.10	0.20	.004	.008
D	53.23	55.74	2.095	2.195
D1	36.83	37.34	1.450	1.470
E	53.23	55.74	2.095	2.195
E1	36.83	37.34	1.450	1.470
e	0.508 BSC		.020 BSC	
f	0.15	0.25	.006	.010
A1	2.06	2.56	.081	.101
A2	0.05	0.36	.002	.014
L	8.20	9.20	.323	.362
N1	64		64	
N2	64		64	